

DOMINO 1 RECESSED

luminaires
spec sheet TX-651

NARROW SPOT



Category Interior use only IP20

Material Machined Aluminium

Finish Brushed Aluminium | Black | White | Custom

Cutout ø44mm

Ceiling Thickness 5-25mm

Minimum Ceiling Void 20mm above top of luminaire module

Accessories Lenses

System Power 2.2W

Module Output 178lm

Absolute Output 164lm

LOR 93%

Colour Temperature 3000K*

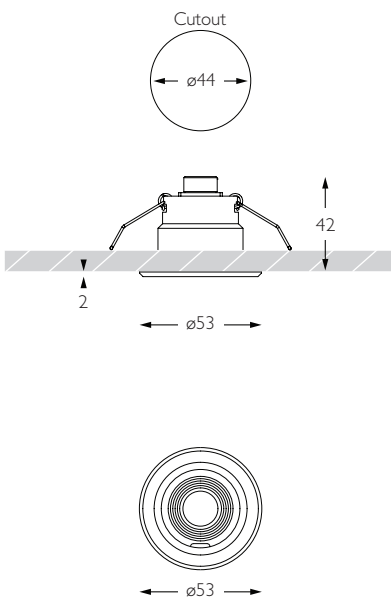
CRI Ra: 95 **TM-30** Rf: 93 Rg: 99

Optics 12°

Gear Type Dimmable options available

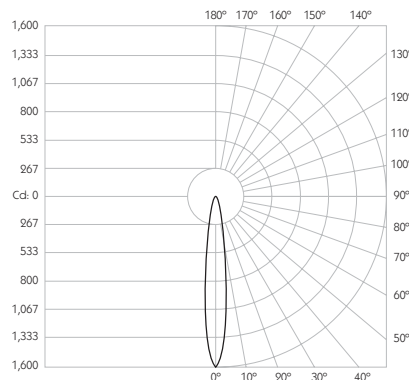
Weight 58g

* Please enquire as to the availability of non-standard colour temperatures.



Domino 1 Recessed is a 95CRI architectural luminaire. The minimal aesthetic, common across the Precision portfolio, ensures the luminaire blends into its architectural surroundings. The luminaire comes as standard in white, black and brushed aluminium finishes, and has five changeable optics for flexible distribution. The built-in, anti-reflective, magnetic accessory holder enables glare control and accommodates accessories up to 2mm thick. Domino 1 Recessed is machined from aerospace grade 6063-T6 aluminium, delivering a lumen package of 178lm at 2.2W.

Product Photometry independently tested in accordance with LM-79



Distance (m)	Beam Diameter (m)	Illuminance (lx)
1m	0.21m	1,566 lx
2m	0.42m	392 lx
3m	0.63m	174 lx
4m	0.84m	98 lx
5m	1.05m	63 lx

- IP 20
- LED
- 95 CRI
- 700 mA
- 2.2W
- 0.5m
- CE
- PART L
- 44
- Accessories Available
- ETL US



Bezel

TX-651-AL-309512

TX-651-BK-309512

TX-651-WH-309512



PRECISION
LIGHTING

SALES@PRECISIONLIGHTING.CO.UK

WWW.PRECISIONLIGHTING.CO.UK

42 RIVERSIDE ROAD
LONDON SW17 0BA

t. +44 (0) 20 8947 6616
f. +44 (0) 20 8286 6626

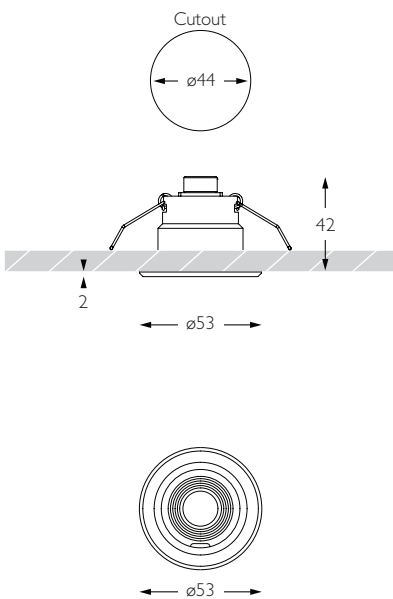
DOMINO 1 RECESSED

luminaires
spec sheet TX-651

FLOOD

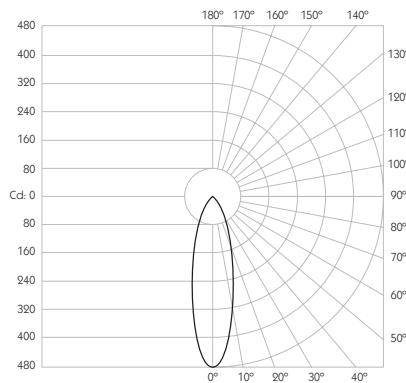


- Category** Interior use only IP20
- Material** Machined Aluminium
- Finish** Brushed Aluminium | Black | White | Custom
- Cutout** ø44mm
- Ceiling Thickness** 5-25mm
- Minimum Ceiling Void** 20mm above top of luminaire module
- Accessories** Lenses
- System Power** 2.2W
- Module Output** 178lm
- Absolute Output** 150lm
- LOR** 84%
- Colour Temperature** 3000K*
- CRI** Ra: 95 **TM-30** Rf: 93 Rg: 99
- Optics** 30°
- Gear Type** Dimmable options available
- Weight** 58g



Domino 1 Recessed is a 95CRI architectural luminaire. The minimal aesthetic, common across the Precision portfolio, ensures the luminaire blends into its architectural surroundings. The luminaire comes as standard in white, black and brushed aluminium finishes, and has five changeable optics for flexible distribution. The built-in, anti-reflective, magnetic accessory holder enables glare control and accommodates accessories up to 2mm thick. Domino 1 Recessed is machined from aerospace grade 6063-T6 aluminium, delivering a lumen package of 178lm at 2.2W.

Product Photometry independently tested in accordance with LM-79



Distance (m)	Beam Diameter (m)	Illuminance (lx)
1m	0.54m	470 lx
2m	1.07m	118 lx
3m	1.61m	52 lx
4m	2.14m	29 lx
5m	2.68m	19 lx

- IP 20
- LED
- 95 CRI
- 700 mA
- 2.2W
- 0.5m
- CE
- PART L
- 44
- Accessories Available
- ETL US



- TX-651-AL-309530
- TX-651-BK-309530
- TX-651-WH-309530

PRECISION
LIGHTING

SALES@PRECISIONLIGHTING.CO.UK
WWW.PRECISIONLIGHTING.CO.UK

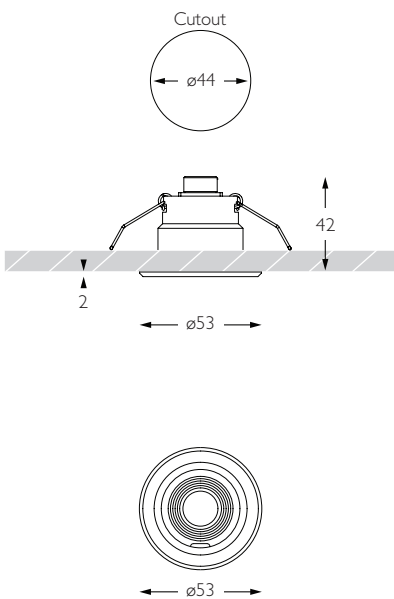
42 RIVERSIDE ROAD
LONDON SW17 0BA
t. +44 (0) 20 8947 6616
f. +44 (0) 20 8286 6626

DOMINO 1 RECESSED

WIDE FLOOD

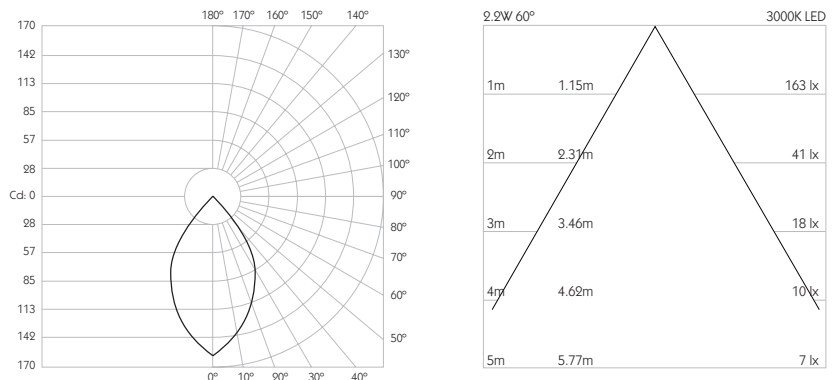


- Category** Interior use only IP20
- Material** Machined Aluminium
- Finish** Brushed Aluminium | Black | White | Custom
- Cutout** ø44mm
- Ceiling Thickness** 5-25mm
- Minimum Ceiling Void** 20mm above top of luminaire module
- Accessories** Lenses
- System Power** 2.2W
- Module Output** 178lm
- Absolute Output** 163lm
- LOR** 92%
- Colour Temperature** 3000K*
- CRI** Ra: 95 **TM-30** Rf: 93 Rg: 99
- Optics** 60°
- Gear Type** Dimmable options available
- Weight** 58g



Domino 1 Recessed is a 95CRI architectural luminaire. The minimal aesthetic, common across the Precision portfolio, ensures the luminaire blends into its architectural surroundings. The luminaire comes as standard in white, black and brushed aluminium finishes, and has five changeable optics for flexible distribution. The built-in, anti-reflective, magnetic accessory holder enables glare control and accommodates accessories up to 2mm thick. Domino 1 Recessed is machined from aerospace grade 6063-T6 aluminium, delivering a lumen package of 178lm at 2.2W.

Product Photometry independently tested in accordance with LM-79



IP 20	LED	95 CRI	700 mA
2.2W	0.5m	CE	PART L
44	Accessories Available	ETL US	



TX-651-AL-309560

TX-651-BK-309560

TX-651-WH-309560



PRECISION
LIGHTING

SALES@PRECISIONLIGHTING.CO.UK
WWW.PRECISIONLIGHTING.CO.UK

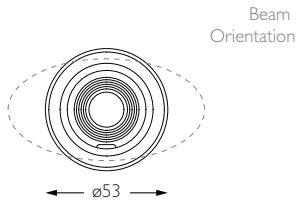
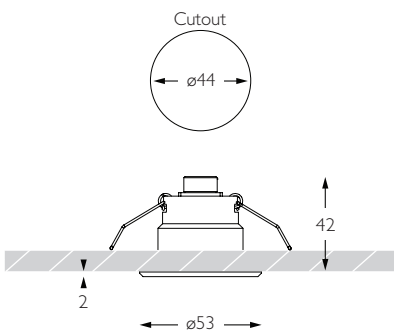
42 RIVERSIDE ROAD
LONDON SW17 0BA
t. +44 (0) 20 8947 6616
f. +44 (0) 20 8286 6626

DOMINO 1 RECESSED

ELLIPSE

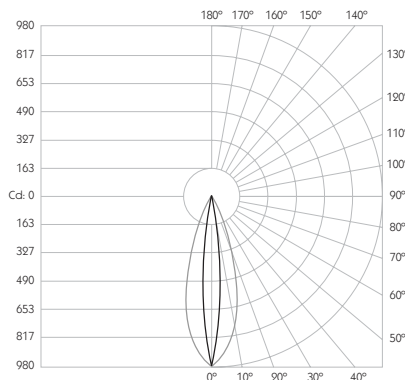


- Category** Interior use only IP20
- Material** Machined Aluminium
- Finish** Brushed Aluminium | Black | White | Custom
- Cutout** ø44mm
- Ceiling Thickness** 5-25mm
- Minimum Ceiling Void** 20mm above top of luminaire module
- Accessories** Lenses
- System Power** 2.2W
- Module Output** 178lm
- Absolute Output** 163lm
- LOR** 92%
- Colour Temperature** 3000K*
- CRI** Ra: 95 **TM-30** Rf: 93 Rg: 99
- Optics** 12X35°
- Gear Type** Dimmable options available
- Weight** 58g



Domino 1 Recessed is a 95CRI architectural luminaire. The minimal aesthetic, common across the Precision portfolio, ensures the luminaire blends into its architectural surroundings. The luminaire comes as standard in white, black and brushed aluminium finishes, and has five changeable optics for flexible distribution. The built-in, anti-reflective, magnetic accessory holder enables glare control and accommodates accessories up to 2mm thick. Domino 1 Recessed is machined from aerospace grade 6063-T6 aluminium, delivering a lumen package of 178lm at 2.2W.

Product Photometry independently tested in accordance with LM-79



Distance (m)	Beam Diameter (m)	Beam Diameter (m)	Illuminance (lx)
1m	0.63m	0.21m	972 lx
2m	1.26m	0.42m	243 lx
3m	1.89m	0.63m	108 lx
4m	2.52m	0.84m	60 lx
5m	3.15m	1.05m	39 lx

IP 20	LED	95 CRI	700 mA
2.2W	0.5m	CE	PART L
44	Accessories Available	ETL US	



Bezel

TX-651-AL-3095E1

TX-651-BK-3095E1

TX-651-WH-3095E1



PRECISION
LIGHTING

SALES@PRECISIONLIGHTING.CO.UK
WWW.PRECISIONLIGHTING.CO.UK

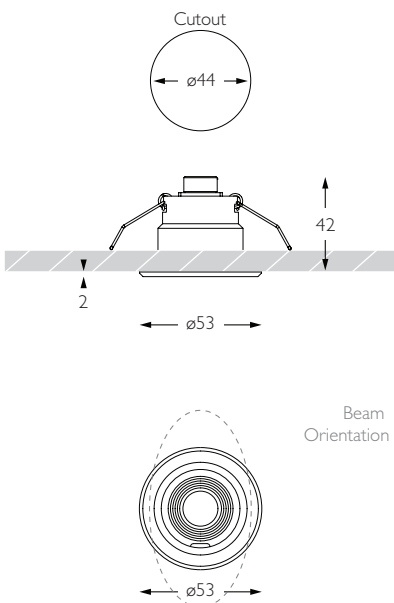
42 RIVERSIDE ROAD
LONDON SW17 0BA
t. +44 (0) 20 8947 6616
f. +44 (0) 20 8286 6626

DOMINO 1 RECESSED

VERTICAL ELLIPSE

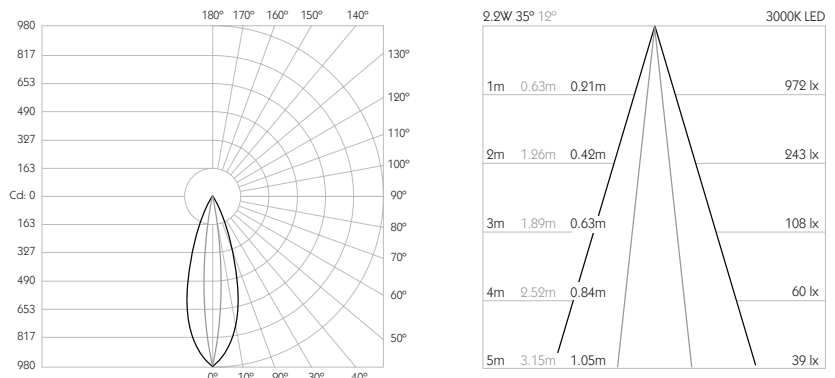


- Category** Interior use only IP20
- Material** Machined Aluminium
- Finish** Brushed Aluminium | Black | White | Custom
- Cutout** ø44mm
- Ceiling Thickness** 5-25mm
- Minimum Ceiling Void** 20mm above top of luminaire module
- Accessories** Lenses
- System Power** 2.2W
- Module Output** 178lm
- Absolute Output** 163lm
- LOR** 92%
- Colour Temperature** 3000K*
- CRI** Ra: 95 **TM-30** Rf: 93 Rg: 99
- Optics** 35X12°
- Gear Type** Dimmable options available
- Weight** 58g



Domino 1 Recessed is a 95CRI architectural luminaire. The minimal aesthetic, common across the Precision portfolio, ensures the luminaire blends into its architectural surroundings. The luminaire comes as standard in white, black and brushed aluminium finishes, and has five changeable optics for flexible distribution. The built-in, anti-reflective, magnetic accessory holder enables glare control and accommodates accessories up to 2mm thick. Domino 1 Recessed is machined from aerospace grade 6063-T6 aluminium, delivering a lumen package of 178lm at 2.2W.

Product Photometry independently tested in accordance with LM-79



IP 20	LED	95 CRI	700 mA
2.2W	0.5m	CE	PART L
44	Accessories Available	ETL US	



Grey	TX-651-AL-3095E2
Black	TX-651-BK-3095E2
White	TX-651-WH-3095E2