

instruction manual

Domino Surface

The Domino Surface family are low profile, surface-mounted 95CRI architectural luminaires that offer a wide range of optical distributions.

Domino Surface 1 - 2.2W, 178lm
 Domino Surface 2 - 4.4W, 356lm
 Domino Surface 4 - 8.8W, 712lm

These instructions are applicable for Domino Surface 1, 2 and 4 variations.



These luminaires are constant current and must be connected to an appropriate driver as recommended by Precision Lighting.

Domino Surface

TZ-654 Surface Domino 4

106mm
4 3/16"

TZ-652 Surface Domino 2

62mm
2 7/16"

TZ-651 Surface Domino 1

ø40
1 9/16"

40mm
1 9/16"

40mm
1 9/16"

40mm
1 9/16"

Component List

- Mounting Screws
- Mounting Plate
- Luminaire Body
- Optics
- Optic Holder
- Optic Holder Fixings
- Magnetic Front Plate

Compatible Power Supply	Order Code	QTY Domino 4	QTY Domino 2	QTY Domino 1
Relco 30W 700mA 1-10V Dim	PSCC-30-700-D-RE	1-3	1-6	1-12
Harvard 700mA 14W DALI Dim	PSCC-14-700-D-HA	1	2-3	3-6

IMPORTANT SAFETY INFORMATION

READ ALL INSTRUCTIONS BEFORE USING THESE PRODUCTS. SAVE THESE INSTRUCTIONS FOR LATER REFERENCE.

1. All systems must be installed by a suitably qualified professional only. Installations must conform to national installation and accident prevention regulations.
2. Do not install any fixture closer than 150mm (6 inches) from any combustible material. Do not install these products in a damp or wet location.
3. To reduce the risk of fire and burns, do not install these products where exposed bare conductors can be shorted or contact any conductive materials. Do not conceal or extend exposed conductors through a building wall.
4. Ensure all connections are tight. Bad connections can cause overheating, arcing and a potential fire risk.
5. This luminaire must be wired and grounded in accordance with standard accepted electrical installation practices, local codes and ordinances.
6. Wire supply connections must be made with UL or compatible testing agency approved connectors.
7. Ensure the luminaire's Jack Plug is correctly inserted into the selected power system. The Jack Plug should not be cross threaded and should be fully tightened.
8. Always use appropriate optics and ensure they are fitted securely.
9. Use only as described in this Precision Lighting manual.
10. Use only Precision Lighting recommended accessories.
11. Ensure that the luminaire is switched off at mains supply before installing or removing.
12. Luminaires may be extremely hot, allow to cool before touching.
13. These are 700mA constant current luminaires and must be connected to an appropriate driver as recommended by Precision Lighting.
14. Regular cleaning of these products is important. Switch off at mains supply and allow to cool before cleaning fittings with a microfibre cloth. Then reconnect the power supply.

WARNING Do not connect or disconnect under load. Ensure driver has not been powered for a minimum of 1 minute before reconnecting the LED module after disconnecting. Do not hot plug. Failure to follow this instruction will lead to serious damage of the LED module and driver and will not be covered by warranty.

NOTE Maintain correct polarity when wiring. Incorrect wiring will cause serious damage and will not be covered by warranty. Must be installed according to SELV regulations. Wire specification: 22 AWG, ø0.65mm diameter double insulated teflon wire. Red - Positive Black - Negative

NOTE LED module is not site serviceable. Tampering will cause damage and will not be covered by warranty.

I. Installing the luminaire

WARNING switch off power to mains before installation.

Cut 17mm (11/16 inch) ceiling hole and drill 2 pilot holes using the template seen in diagram I.1. Print to scale.

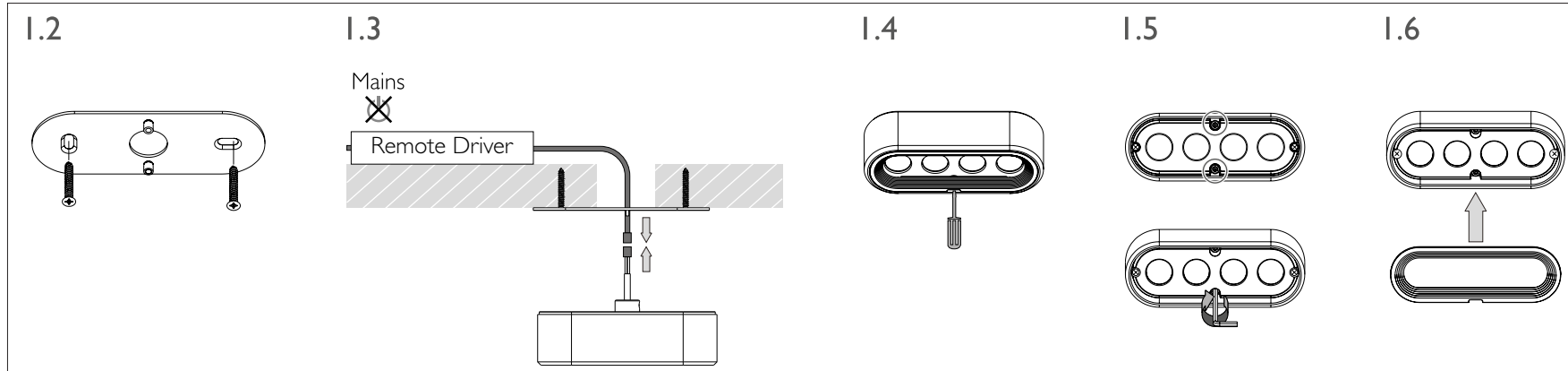
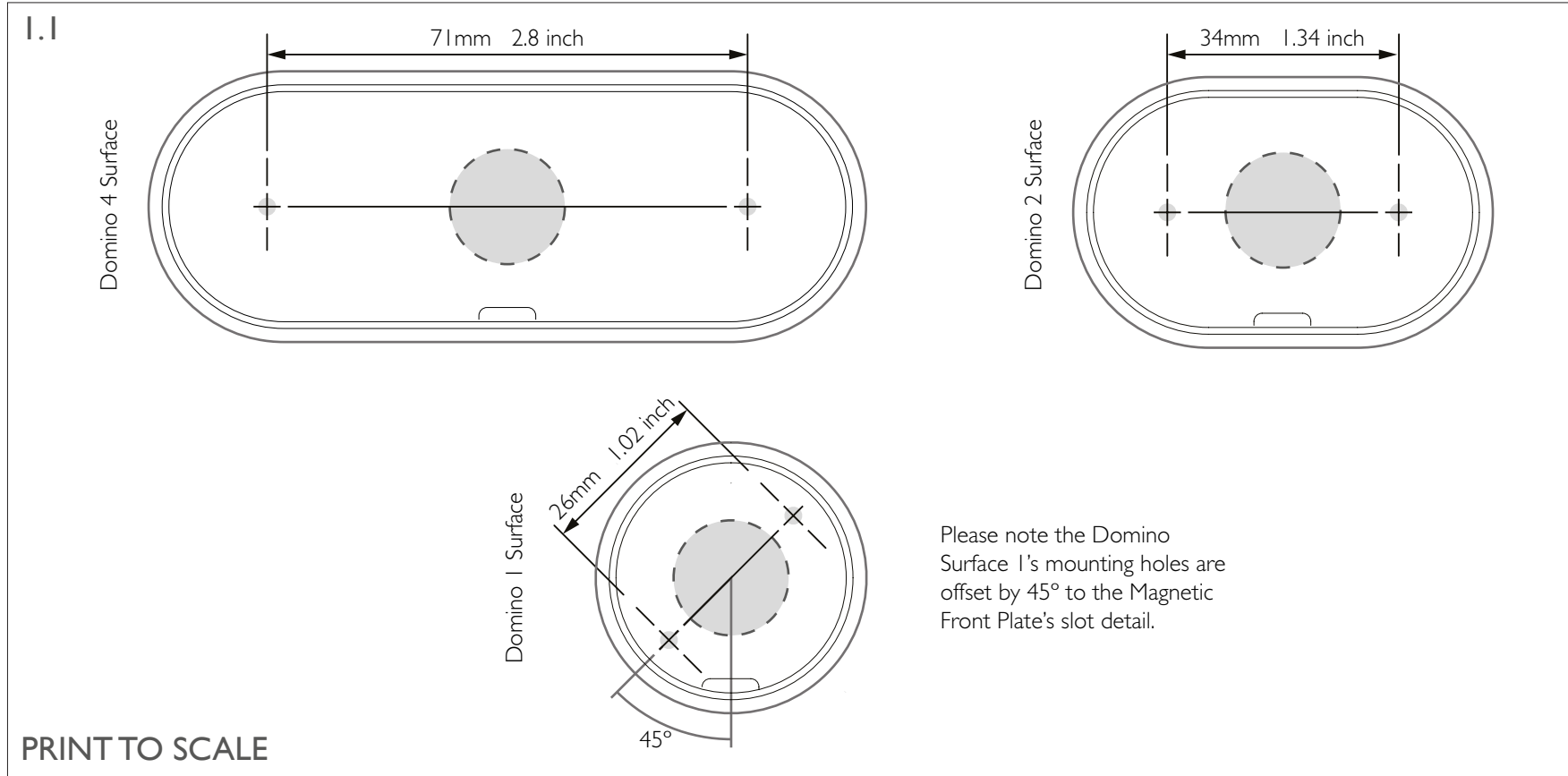
Screw Mounting Plate to the ceiling

Pull the driver side connection through the ceiling hole and connect to the luminaire.

Using the slot on the side of the Magnetic Front Plate remove the plate. We recommend using a screwdriver for leverage.

Use a 2.5mm allen key to screw the luminaire body to the mounting plate. The two captive screws are marked in diagram I.5.

Replace the magnetic cover.



WARNING Do not connect or disconnect under load.
Ensure driver has not been powered for a minimum of 1 minute before reconnecting the LED module after disconnecting. Do not hot plug. Failure to follow this instruction will lead to serious damage of the LED module and driver and will not be covered by warranty.

NOTE Maintain correct polarity when wiring. Incorrect wiring will cause serious damage and will not be covered by warranty. Must be installed according to SELV regulations.
Wire specification: 22 AWG, ø0.65mm diameter double insulated teflon wire.
Red - Positive Black - Negative

NOTE LED module is not site serviceable.
Tampering will cause damage and will not be covered by warranty.

2. Changing the optics

WARNING luminaire may be hot.
Allow to cool before touching.

Using the slot on the side of the Magnetic Front Plate remove the plate. We recommend using a screwdriver for leverage.

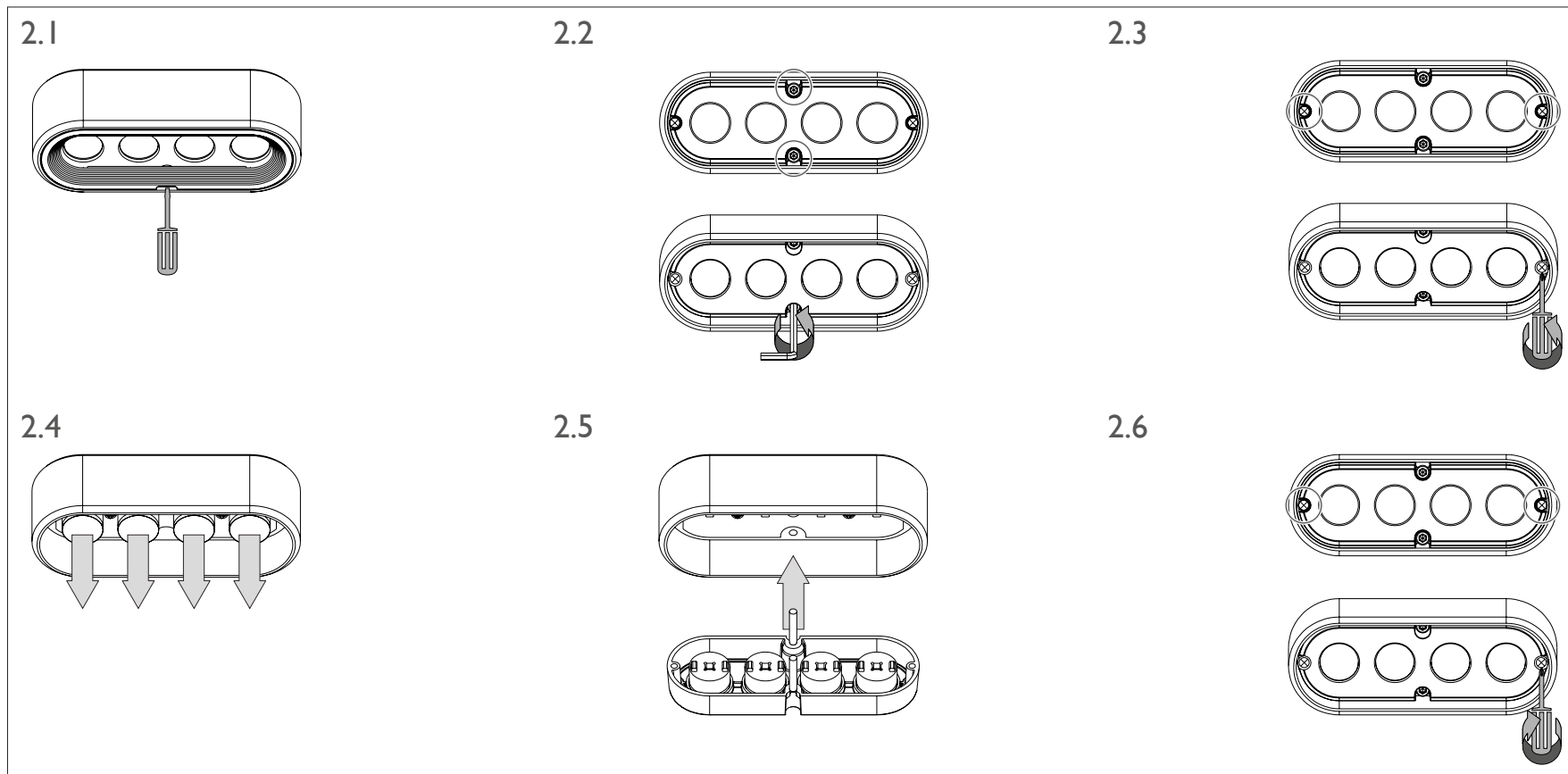
Unscrew the 2 captive screws, using a 2.5mm allen key, as seen in diagram 2.2.

Once removed from the ceiling take off the optic cover by unscrewing the 2 cross head screws shown in diagram 2.3.

Remove the optics and replace with the new selection. To position the new optics correctly place the optics into the cover and replace.

Screw the optic holder back in to place using the 2 cross head screws.

Reinstall onto ceiling as per step 1.



3. Using Accessories

WARNING luminaire may be hot.
Allow to cool before touching.

Using the slot on the side of the Magnetic Front Plate remove the plate. We recommend using a screwdriver for leverage.

Insert accessory into Magnetic Front Plate and replace Front Plate into the main body.

