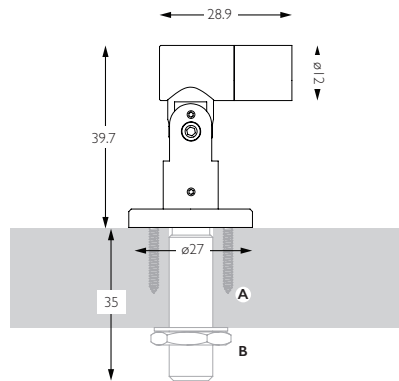
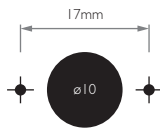


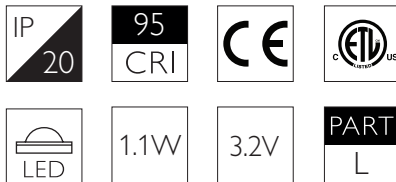
## NARROW SPOT



A - 2 Screw Fixing



B - M10 Fixing



### TECHNICAL DESCRIPTION

Atto T is a miniature display orientated LED spotlight that comes as standard in white, black and brushed aluminium finishes. It has three site changeable optics for flexible distribution. The narrow spot beam in our 1.1W 102lm module has a peak intensity of 794cd. The Atto T has 360 bearing aided rotation and 180 degree constant torque tilt mechanism, both lockable. There are 2 mounting methods, from the front using screws or from the rear using the M10 threaded stud. The M10 threaded stud can be removed as a custom order if it restricts installation.

### MECHANICAL & ELECTRICAL

**CATEGORY** Interior use only IP20

**MATERIAL** Machined Aluminium 6063-T6 | Machined Brass

**LOCKABLE** Pan & Tilt

**PAN** 360°

**TILT** 180°

**ACCESSORIES** Snoots

**MOUNTING** Fixed

**WEIGHT** 29g (45g for Premium)

**FORWARD VOLTAGE** 3.2V

**CURRENT** 350mA

### FINISHES

**FINISHES** Brushed Aluminium | White RAL9010 | Matte Anodised Black | Rubbed Bronze\* | Polished Brass\* | Brushed Brass\*

\* All premium & custom finishes are built & finished to order. These are subject to an extended lead time & MOQ

### OPTICAL

**SYSTEM POWER** 1.1W

**MODULE OUTPUT** 102lm\*

**ABSOLUTE OUTPUT** 94lm

**LOR** 92%

**SUPPLY TYPE** Constant Current

**COLOUR TEMPERATURE** 2700K | 3000K

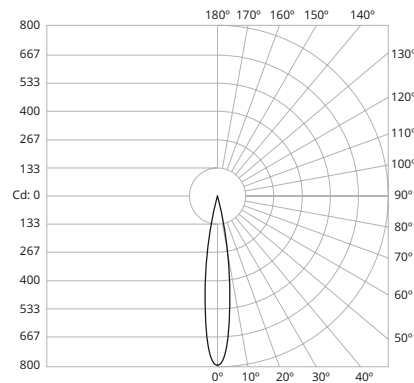
**CRI** 95 TYP

**TM-30** RF: 93 RG: 99

**BEAM ANGLE** 16°

**DIMMING** Dimming available

\*\* Photometry shown is correct for 3000K module. Please enquire for 2700K module output.



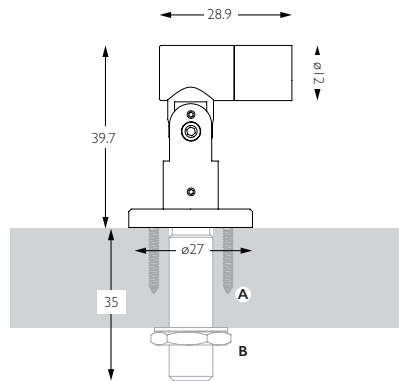
Distance (m)	Beam Diameter (m)	Illuminance (lx)
0.25	0.07	12,701
0.50	0.14	3,175
1.00	0.28	794
2.00	0.56	198
3.00	0.84	88

Finish	Part Number
Brushed Aluminium	762-AL-XX9516
White 9010	762-VWH-XX9516
Matte Anodised Black	762-EBA-XX9516
Rubbed Bronze *	762-RB-XX9516
Polished Brass *	762-PB-XX9516
Brushed Brass *	762-SB-XX9516

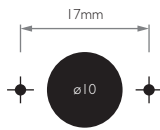
For 3000K Substitute XX with 30

For 2700K Substitute XX with 27

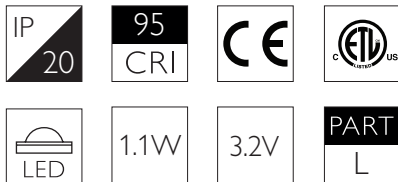
MEDIUM



A - 2 Screw Fixing



B - M10 Fixing



## TECHNICAL DESCRIPTION

Atto T is a miniature display orientated LED spotlight that comes as standard in white, black and brushed aluminium finishes. It has three site changeable optics for flexible distribution. The medium beam in our 1.1W 102lm module has a peak intensity of 359cd. The Atto T has 360 bearing aided rotation and 180 degree constant torque tilt mechanism, both lockable. There are 2 mounting methods, from the front using screws or from the rear using the M10 threaded stud. The M10 threaded stud can be removed as a custom order if it restricts installation.

## MECHANICAL & ELECTRICAL

**CATEGORY** Interior use only IP20

**MATERIAL** Machined Aluminium 6063-T6 | Machined Brass

**LOCKABLE** Pan & Tilt

**PAN** 360°

**TILT** 180°

**ACCESSORIES** Snoots

**MOUNTING** Fixed

**WEIGHT** 29g (45g for Premium)

**FORWARD VOLTAGE** 3.2V

**CURRENT** 350mA

## FINISHES

**FINISHES** Brushed Aluminium | White RAL9010 | Matte Anodised Black | Rubbed Bronze\* | Polished Brass\* | Brushed Brass\*

\* All premium & custom finishes are built & finished to order. These are subject to an extended lead time & MOQ

## OPTICAL

**SYSTEM POWER** 1.1W

**MODULE OUTPUT** 102lm\*

**ABSOLUTE OUTPUT** 92lm

**LOR** 93%

**SUPPLY TYPE** Constant Current

**COLOUR TEMPERATURE** 2700K | 3000K

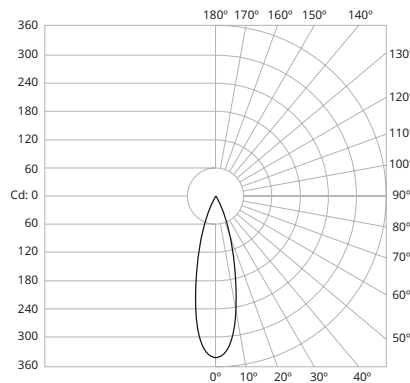
**CRI** 95 TYP

**TM-30** RF: 93 RG: 99

**BEAM ANGLE** 23°

**DIMMING** Dimming available

\*\* Photometry shown is correct for 3000K module. Please enquire for 2700K module output.



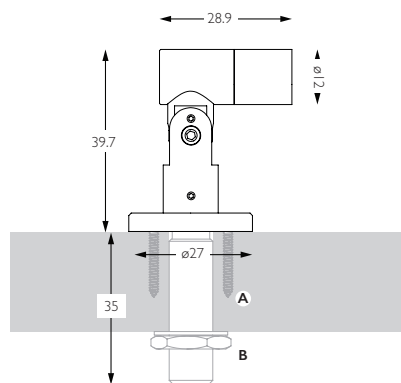
Distance (m)	Beam Diameter (m)	Illuminance (lx)
0.25	0.10	5,745 lx
0.50	0.20	1,436 lx
1.00	0.41	359 lx
2.00	0.81	90 lx
3.00	1.22	40 lx

Finish	Part Number
Brushed Aluminium	762-AL-XX9523
White 9010	762-VWH-XX9523
Matte Anodised Black	762-EBA-XX9523
Rubbed Bronze *	762-RB-XX9523
Polished Brass *	762-PB-XX9523
Brushed Brass *	762-SB-XX9523

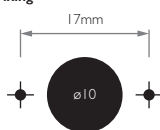
For 3000K Substitute XX with 30

For 2700K Substitute XX with 27

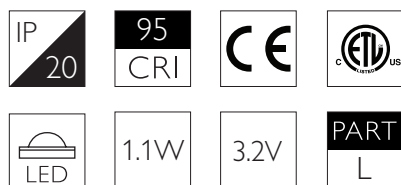
## FLOOD



A - 2 Screw Fixing



B - M10 Fixing



### TECHNICAL DESCRIPTION

Atto T is a miniature display orientated LED spotlight that comes as standard in white, black and brushed aluminium finishes. It has three site changeable optics for flexible distribution. The flood beam in our 1.1W 102lm module has a peak intensity of 109cd. The Atto T has 360 bearing aided rotation and 180 degree constant torque tilt mechanism, both lockable. There are 2 mounting methods, from the front using screws or from the rear using the M10 threaded stud. The M10 threaded stud can be removed as a custom order if it restricts installation.

### MECHANICAL & ELECTRICAL

**CATEGORY** Interior use only IP20

**MATERIAL** Machined Aluminium 6063-T6 | Machined Brass

**LOCKABLE** Pan & Tilt

**PAN** 360°

**TILT** 180°

**ACCESSORIES** Snoots

**MOUNTING** Fixed

**WEIGHT** 29g (45g for Premium)

**FORWARD VOLTAGE** 3.2V

**CURRENT** 350mA

### FINISHES

**FINISHES** Brushed Aluminium | White RAL9010 | Matte Anodised Black | Rubbed Bronze\* | Polished Brass\* | Brushed Brass\*

\* All premium & custom finishes are built & finished to order. These are subject to an extended lead time & MOQ

### OPTICAL

**SYSTEM POWER** 1.1W

**MODULE OUTPUT** 102lm\*

**ABSOLUTE OUTPUT** 93lm

**LOR** 93%

**SUPPLY TYPE** Constant Current

**COLOUR TEMPERATURE** 2700K | 3000K

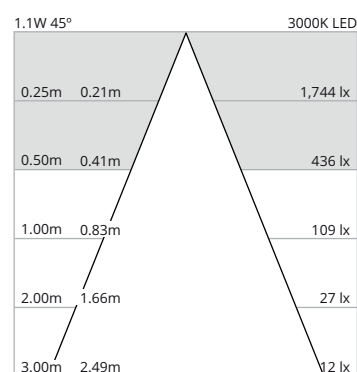
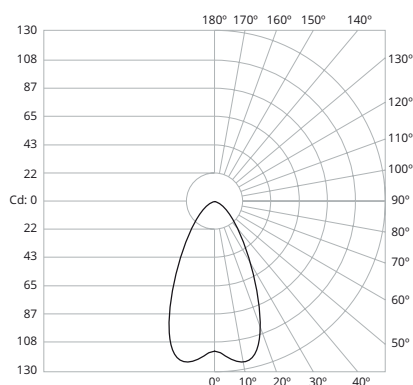
**CRI** 95 TYP

**TM-30** RF: 93 RG: 99

**BEAM ANGLE** 45°

**DIMMING** Dimming available

\*\* Photometry shown is correct for 3000K module. Please enquire for 2700K module output.

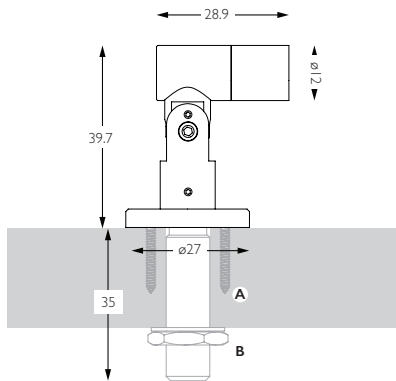


Brushed Aluminium	White 9010	Matte Anodised Black	Rubbed Bronze *	Polished Brass *	Brushed Brass *
762-AL-XX9545	762-VWH-XX9545	762-EBA-XX9545	762-RB-XX9545	762-PB-XX9545	762-SB-XX9545

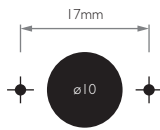
For 3000K Substitute XX with 30

For 2700K Substitute XX with 27

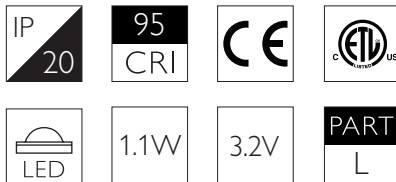
## WIDE FLOOD



A - 2 Screw Fixing



B - M10 Fixing



### TECHNICAL DESCRIPTION

Atto T is a miniature display orientated LED spotlight that comes as standard in white, black and brushed aluminium finishes. It has three site changeable optics for flexible distribution. The wide flood beam in our 1.1W 102lm module has a peak intensity of 109cd. The Atto T has 360 bearing aided rotation and 180 degree constant torque tilt mechanism, both lockable. There are 2 mounting methods, from the front using screws or from the rear using the M10 threaded stud. The M10 threaded stud can be removed as a custom order if it restricts installation.

### MECHANICAL & ELECTRICAL

**CATEGORY** Interior use only IP20

**MATERIAL** Machined Aluminium 6063-T6 | Machined Brass

**LOCKABLE** Pan & Tilt

**PAN** 360°

**TILT** 180°

**ACCESSORIES** Snoots

**MOUNTING** Fixed

**WEIGHT** 29g (45g for Premium)

**FORWARD VOLTAGE** 3.2V

**CURRENT** 350mA

### FINISHES

**FINISHES** Brushed Aluminium | White RAL9010 | Matte Anodised Black | Rubbed Bronze\* | Polished Brass\* | Brushed Brass\*

\* All premium & custom finishes are built & finished to order. These are subject to an extended lead time & MOQ

### OPTICAL

**SYSTEM POWER** 1.1W

**MODULE OUTPUT** 102lm\*

**ABSOLUTE OUTPUT** 93lm

**LOR** 93%

**SUPPLY TYPE** Constant Current

**COLOUR TEMPERATURE** 2700K | 3000K

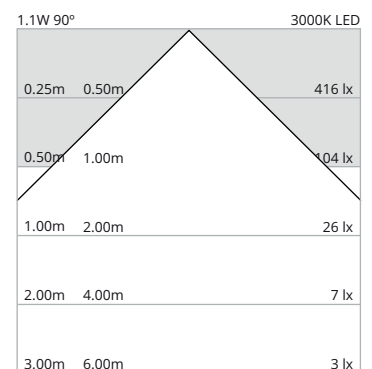
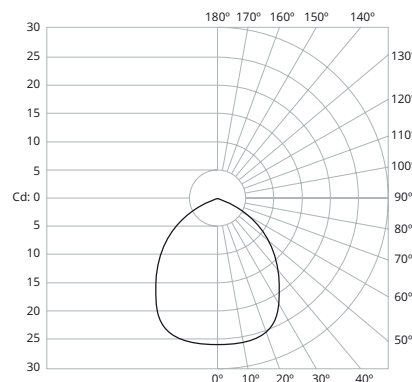
**CRI** 95 TYP

**TM-30** RF: 93 RG: 99

**BEAM ANGLE** 90°

**DIMMING** Dimming available

\*\* Photometry shown is correct for 3000K module. Please enquire for 2700K module output.



Brushed Aluminium	White 9010	Matte Anodised Black	Rubbed Bronze *	Polished Brass *	Brushed Brass *
762-AL-XX9590	762-VWH-XX9590	762-EBA-XX9590	762-RB-XX9590	762-PB-XX9590	762-SB-XX9590

For 3000K Substitute XX with 30

For 2700K Substitute XX with 27