



TECHNICAL DESCRIPTION

Pico S is a miniature, display orientated LED spotlight that comes as standard in white, black and brushed aluminium finishes. It has three site changeable optics for flexible distribution. The narrow spot beam in our 2.2W 180lm module has a peak intensity of 1570cd. There is a 360 degree bearing aided rotation and 180 degree constant torque tilt mechanism, both lockable. There are 2 mounting methods, from the front using screws or from the rear using the M12 threaded stud. It has a fixed stem length as standard that can be customised on request.

MECHANICAL & ELECTRICAL

CATEGORY Interior use only IP20

MATERIAL Aluminium

LOCKABLE Pan & Tilt

ACCESSORIES Snoots

MOUNT ACCESSORIES Surface cable routing

MOUNTING M12 / Screw Fixing

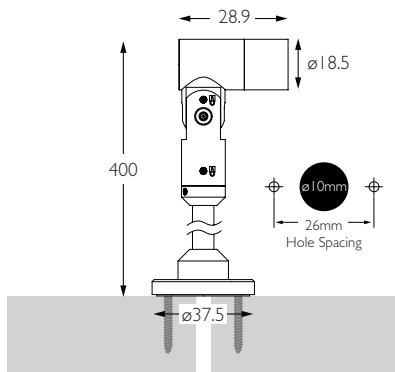
SYSTEM POWER 2.2W

WEIGHT 91g

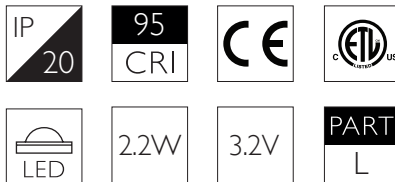
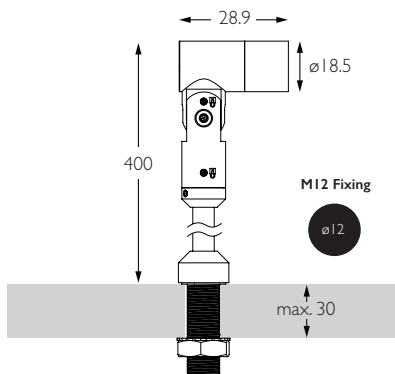
FORWARD VOLTAGE 3.2V MAX

CURRENT 700mA

SURFACE MOUNT



M12 MOUNT



FINISHES

FINISHES Brushed Aluminium | Black | White | Custom*

* All custom finishes are built and finished to order. These are subject to an extended lead time and MOQ

OPTICAL

MODULE OUTPUT 180lm**

ABSOLUTE OUTPUT 168lm

LOR 93

DRIVER Constant Current

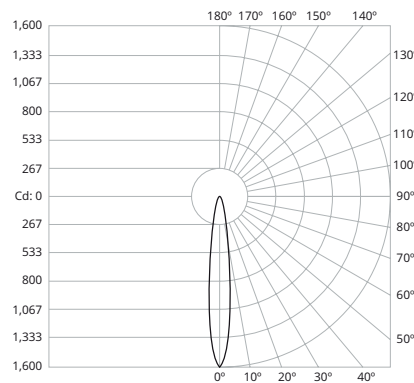
COLOUR TEMPERATURE 3000K**

CRI 95 TYP

TM-30 RF: 93 RG: 99

BEAM ANGLE 12°

** Photometry shown is correct for 3000K module. Please enquire for 2700K module output.



Distance (m)	Beam Diameter (m)	Beam Intensity (lx)
1m	0.21m	1,570 lx
2m	0.43m	392 lx
3m	0.64m	174 lx
4m	0.85m	98 lx
5m	1.06m	63 lx



Surface



M12

Finish	Surface Mount Part Number	M12 Mount Part Number
AL	MPN-792F-AL-XX9512	M12-792F-AL-XX9512
WH	MPN-792F-WH-XX9512	M12-792F-WH-XX9512
BK	MPN-792F-BK-XX9512	M12-792F-BK-XX9512

For 3000K Substitute XX with 30

For 2700K Substitute XX with 27

MEDIUM



TECHNICAL DESCRIPTION

Pico S is a miniature, display orientated LED spotlight that comes as standard in white, black and brushed aluminium finishes. It has three site changeable optics for flexible distribution. The medium beam in our 2.2W 180lm module has a peak intensity of 463cd. There is a 360 degree bearing aided rotation and 180 degree constant torque tilt mechanism, both lockable. There are 2 mounting methods, from the front using screws or from the rear using the M12 threaded stud. It has a fixed stem length as standard that can be customised on request.

MECHANICAL & ELECTRICAL

CATEGORY Interior use only IP20

MATERIAL Aluminium

LOCKABLE Pan & Tilt

ACCESSORIES Snoots

MOUNT ACCESSORIES Surface cable routing

MOUNTING M12 / Screw Fixing

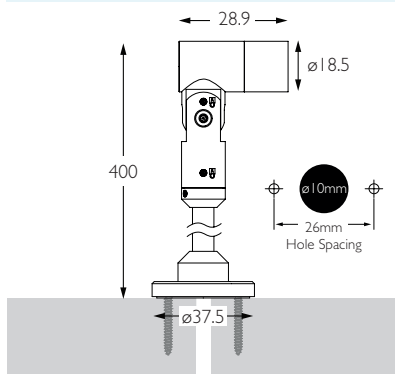
SYSTEM POWER 2.2W

WEIGHT 91g

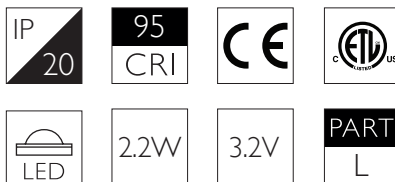
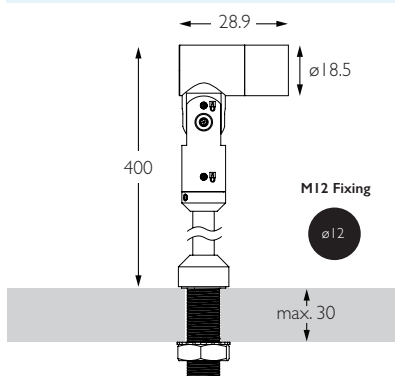
FORWARD VOLTAGE 3.2V MAX

CURRENT 700mA

SURFACE MOUNT



M12 MOUNT



FINISHES

FINISHES Brushed Aluminium | Black | White | Custom*

* All custom finishes are built and finished to order. These are subject to an extended lead time and MOQ

OPTICAL

MODULE OUTPUT 180lm**

ABSOLUTE OUTPUT 153lm

LOR 93

DRIVER Constant Current

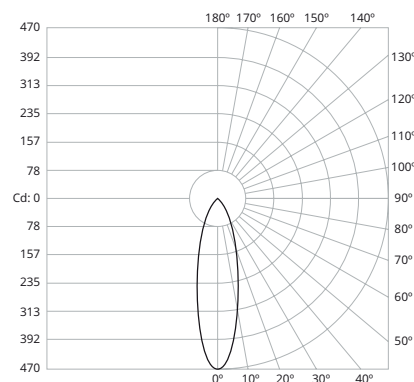
COLOUR TEMPERATURE 3000K**

CRI 95 TYP

TM-30 RF: 93 RG: 99

BEAM ANGLE 30°

** Photometry shown is correct for 3000K module. Please enquire for 2700K module output.



Distance (m)	Beam Diameter (m)	Peak Intensity (lx)
1m	0.54m	463 lx
2m	1.07m	116 lx
3m	1.61m	51 lx
4m	2.14m	29 lx
5m	2.68m	19 lx



Surface



M12

Finish	Surface Mount Part Number	M12 Mount Part Number
AL	MPN-792F-AL-XX9530	M12-792F-AL-XX9530
WH	MPN-792F-WH-XX9530	M12-792F-WH-XX9530
BK	MPN-792F-BK-XX9530	M12-792F-BK-XX9530

For 3000K Substitute XX with 30

For 2700K Substitute XX with 27



TECHNICAL DESCRIPTION

Pico S is a miniature, display orientated LED spotlight that comes as standard in white, black and brushed aluminium finishes. It has three site changeable optics for flexible distribution. The flood beam in our 2.2W 180lm module has a peak intensity of 167cd. There is a 360 degree bearing aided rotation and 180 degree constant torque tilt mechanism, both lockable. There are 2 mounting methods, from the front using screws or from the rear using the M12 threaded stud. It has a fixed stem length as standard that can be customised on request.

MECHANICAL & ELECTRICAL

CATEGORY Interior use only IP20

MATERIAL Aluminium

LOCKABLE Pan & Tilt

ACCESSORIES Snoots

MOUNT ACCESSORIES Surface cable routing

MOUNTING M12 / Screw Fixing

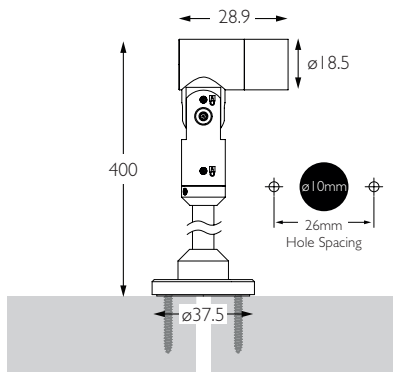
SYSTEM POWER 2.2W

WEIGHT 91g

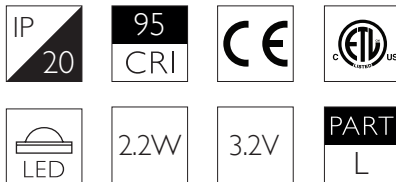
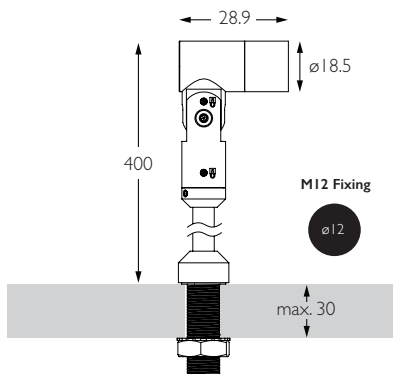
FORWARD VOLTAGE 3.2V MAX

CURRENT 700mA

SURFACE MOUNT



M12 MOUNT



FINISHES

FINISHES Brushed Aluminium | Black | White | Custom*

* All custom finishes are built and finished to order. These are subject to an extended lead time and MOQ

OPTICAL

MODULE OUTPUT 180lm**

ABSOLUTE OUTPUT 168lm

LOR 93

DRIVER Constant Current

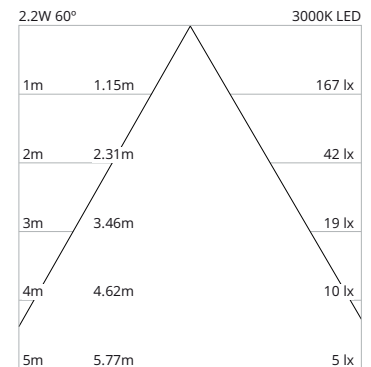
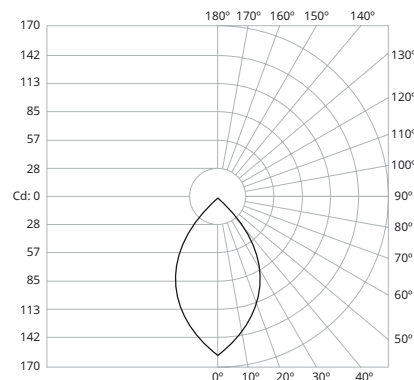
COLOUR TEMPERATURE 3000K**

CRI 95 TYP

TM-30 RF: 93 RG: 99

BEAM ANGLE 60°

** Photometry shown is correct for 3000K module. Please enquire for 2700K module output.



Surface



M12

AL	MPN-792F-AL-XX9560	M12-792F-AL-XX9560
WH	MPN-792F-WH-XX9560	M12-792F-WH-XX9560
BK	MPN-792F-BK-XX9560	M12-792F-BK-XX9560

For 3000K Substitute XX with 30

For 2700K Substitute XX with 27