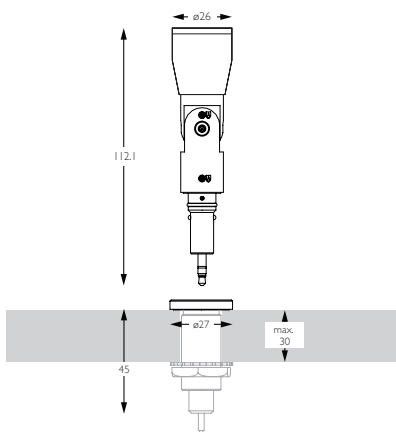


## TECHNICAL DESCRIPTION

Pico Plus Jack is a miniature, display orientated LED spotlight that comes as standard in white, black and brushed aluminium finishes. It has three site changeable optics for flexible distribution. The narrow spot beam in our 2.2W 180lm module has a peak intensity of 1570cd. There is a 360 degree bearing aided rotation and 180 degree constant torque tilt mechanism, both lockable. The luminaire is compatible with our Minipoint system that enables a plug and play setup where luminaires can be simply swapped to suit changing lighting requirements.



## MECHANICAL & ELECTRICAL

**CATEGORY** Interior use only IP20

**MATERIAL** Aluminium

**LOCKABLE** Pan & Tilt

**ACCESSORIES** Snoots | Lenses

**SYSTEMS** Minipoint

**WEIGHT** 82g

**FORWARD VOLTAGE** 3.2V MAX

**CURRENT** 700mA

## FINISHES

**FINISHES** Brushed Aluminium | Black | White | Custom\*

\* All Custom finishes are built and finished to order. These are subject to an extended lead time and MOQ

## OPTICAL

**SYSTEM POWER** 2.2W

**MODULE OUTPUT** 180lm\*

**ABSOLUTE OUTPUT** 168lm

**LOR** 93

**GEAR TYPE** Constant Current

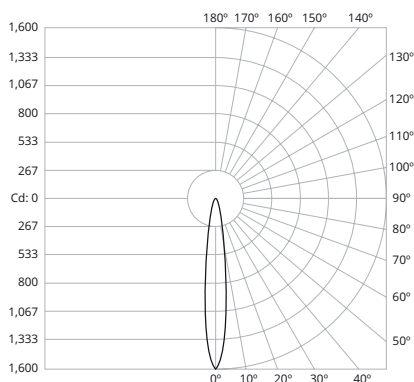
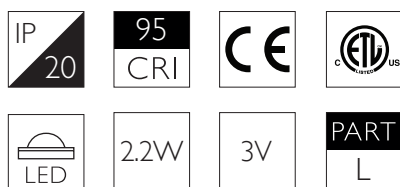
**COLOUR TEMPERATURE** 3000K\*

**CRI** 95 TYP

**TM-30** RF: 93 RG: 99

**BEAM ANGLE** 12°

\*\* Photometry shown is correct for 3000K module. Please enquire for 2700K module output.



Distance (m)	Beam Diameter (m)	Footcandle (lx)
1m	0.21m	1,570 lx
2m	0.43m	392 lx
3m	0.64m	174 lx
4m	0.85m	98 lx
5m	1.06m	63 lx

	Brushed Aluminium	White 9010	Black
Without Minipoint*	808-AL-XX9512	808-WH-XX9512	808-BK-XX9512
With Minipoint	M-A-808-AL-XX9512	M-A-808-WH-XX9512	M-A-808-BK-XX9512

\*A minipoint is required, if the individual code is used then a minipoint must be purchased separately

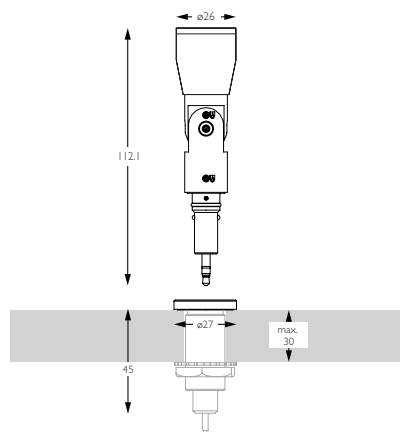
For 3000K Substitute XX with 30

-

For 2700K Substitute XX with 27

## TECHNICAL DESCRIPTION

Pico Plus Jack is a miniature, display orientated LED spotlight that comes as standard in white, black and brushed aluminium finishes. It has three site changeable optics for flexible distribution. The flood beam in our 2.2W 180lm module has a peak intensity of 463cd. There is a 360 degree bearing aided rotation and 180 degree constant torque tilt mechanism, both lockable. The luminaire is compatible with our Minipoint system that enables a plug and play setup where luminaires can be simply swapped to suit changing lighting requirements.



## MECHANICAL & ELECTRICAL

**CATEGORY** Interior use only IP20

**MATERIAL** Aluminium

**LOCKABLE** Pan & Tilt

**ACCESSORIES** Snoots | Lenses

**SYSTEMS** Minipoint

**WEIGHT** 82g

**FORWARD VOLTAGE** 3.2V MAX

**CURRENT** 700mA

## FINISHES

**FINISHES** Brushed Aluminium | Black | White | Custom\*

\* All Custom finishes are built and finished to order. These are subject to an extended lead time and MOQ

## OPTICAL

**SYSTEM POWER** 2.2W

**MODULE OUTPUT** 180lm\*

**ABSOLUTE OUTPUT** 153lm

**LOR** 93

**GEAR TYPE** Constant Current

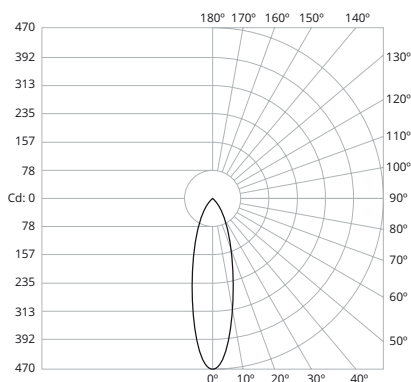
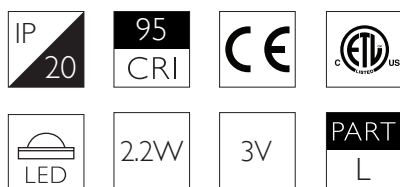
**COLOUR TEMPERATURE** 3000K\*

**CRI** 95 TYP

**TM-30** RF: 93 RG: 99

**BEAM ANGLE** 30°

\*\* Photometry shown is correct for 3000K module. Please enquire for 2700K module output.



Height (m)	Beam Diameter (m)	Peak Intensity (lx)
1m	0.54m	463 lx
2m	1.07m	116 lx
3m	1.61m	51 lx
4m	2.14m	29 lx
5m	2.68m	19 lx

	Brushed Aluminium	White 9010	Black
Without Minipoint*	808-AL-XX9530	808-WH-XX9530	808-BK-XX9530
With Minipoint	M-A-808-AL-XX9530	M-A-808-WH-XX9530	M-A-808-BK-XX9530

\*A minipoint is required, if the individual code is used then a minipoint must be purchased separately

For 3000K Substitute XX with 30

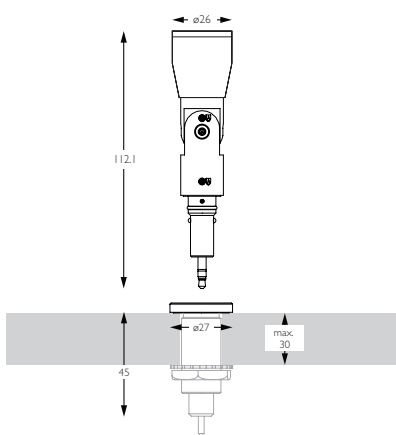
-

For 2700K Substitute XX with 27

WIDE FLOOD

## TECHNICAL DESCRIPTION

Pico Plus Jack is a miniature, display orientated LED spotlight that comes as standard in white, black and brushed aluminium finishes. It has three site changeable optics for flexible distribution. The wide flood beam in our 2.2W 180lm module has a peak intensity of 167cd. There is a 360 degree bearing aided rotation and 180 degree constant torque tilt mechanism, both lockable. The luminaire is compatible with our Minipoint system that enables a plug and play setup where luminaires can be simply swapped to suit changing lighting requirements.



## MECHANICAL & ELECTRICAL

**CATEGORY** Interior use only IP20

**MATERIAL** Aluminium

**LOCKABLE** Pan & Tilt

**ACCESSORIES** Snoots | Lenses

**SYSTEMS** Minipoint

**WEIGHT** 82g

**FORWARD VOLTAGE** 3.2V MAX

**CURRENT** 700mA

## FINISHES

**FINISHES** Brushed Aluminium | Black | White | Custom\*

\* All Custom finishes are built and finished to order. These are subject to an extended lead time and MOQ

## OPTICAL

**SYSTEM POWER** 2.2W

**MODULE OUTPUT** 180lm\*

**ABSOLUTE OUTPUT** 168lm

**LOR** 93

**GEAR TYPE** Constant Current

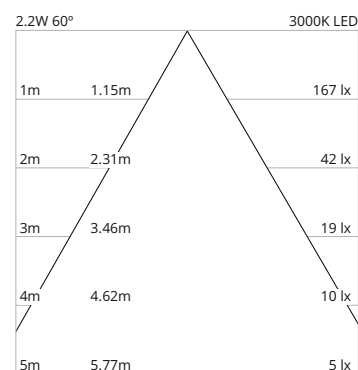
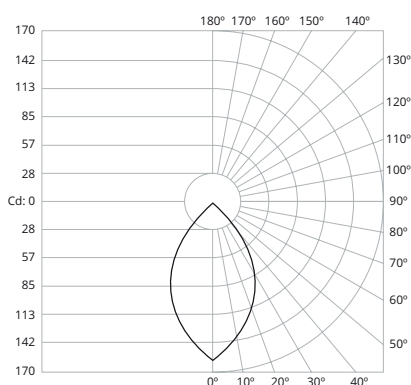
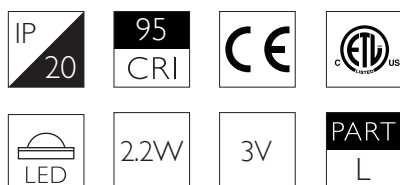
**COLOUR TEMPERATURE** 3000K\*

**CRI** 95 TYP

**TM-30** RF: 93 RG: 99

**BEAM ANGLE** 60°

\*\* Photometry shown is correct for 3000K module. Please enquire for 2700K module output.



	Brushed Aluminium	White 9010	Black
Without Minipoint*	808-AL-XX9560	808-WH-XX9560	808-BK-XX9560
With Minipoint	M-A-808-AL-XX9560	M-A-808-WH-XX9560	M-A-808-BK-XX9560

\*A minipoint is required, if the individual code is used then a minipoint must be purchased separately

For 3000K Substitute XX with 30

-

For 2700K Substitute XX with 27