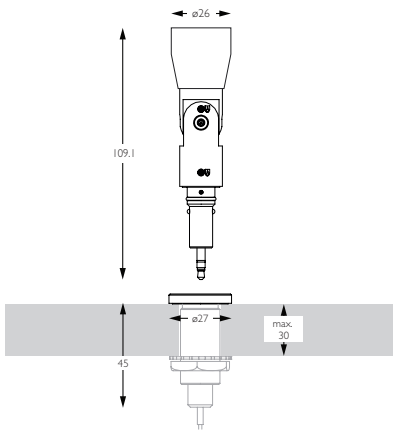


ZOOM

TECHNICAL DESCRIPTION

Pico Zoom Jack is an award-winning miniature, display orientated LED spotlight that comes as standard in white, black and brushed aluminium finishes. It features tool-less variable beam technology for flexible distribution between 12 and 30 degrees. The zoom beam in our 2.2W 180lm module has a peak intensity of 1276cd - 466cd. There is a 360 degree bearing aided rotation and 180 degree constant torque tilt mechanism, both lockable. The luminaire is compatible with our Minipoint system that enables a plug and play setup where luminaires can be simply swapped to suit changing lighting requirements.



MECHANICAL & ELECTRICAL

CATEGORY Interior use only IP20
MATERIAL Aluminium
LOCKABLE Pan & Tilt
ACCESSORIES N/A

SYSTEMS Minipoint
WEIGHT 82g
FORWARD VOLTAGE 3.2V MAX
CURRENT 700mA

FINISHES

FINISHES Brushed Aluminium | Black | White | Custom*

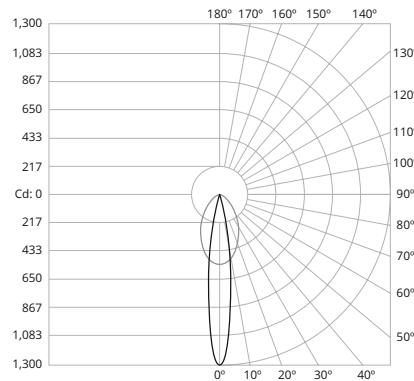
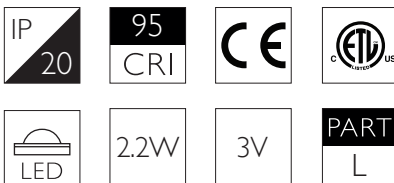
* All Custom finishes are built and finished to order. These are subject to an extended lead time and MOQ

OPTICAL

SYSTEM POWER 2.2W
MODULE OUTPUT 180lm*
ABSOLUTE OUTPUT 168lm
LOR 93
GEAR TYPE Constant Current

COLOUR TEMPERATURE 3000K*
CRI 95 TYP
TM-30 RF: 93 RG: 99
BEAM ANGLE 12-30°

** Photometry shown is correct for 3000K module. Please enquire for 2700K module output.



2.2W 12° 30°			3000K LED	
1m	0.54m	0.21m	1,276 lx	466 lx
2m	1.07m	0.42m	319 lx	299 lx
3m	1.61m	0.63m	142 lx	138 lx
4m	2.14m	0.84m	80 lx	47 lx
5m	2.68m	1.05m	51 lx	29 lx

	Brushed Aluminium	White 9010	Black
Without Minipoint*	806-AL-XX95ZO	806-WH-XX95ZO	806-BK-XX95ZO
With Minipoint	M-A-806-AL-XX95ZO	M-A-806-WH-XX95ZO	M-A-806-BK-XX95ZO

*A minipoint is required, if the individual code is used then a minipoint must be purchased separately

For 3000K Substitute XX with 30

-

For 2700K Substitute XX with 27