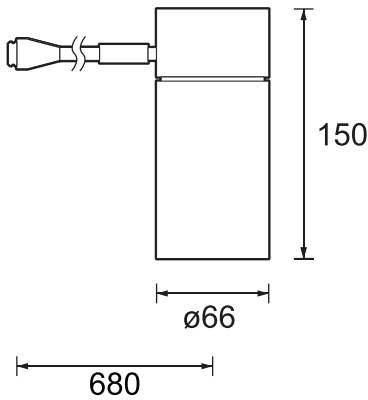




**Category** Interior use only IP20  
**Material** Machined Aluminium  
**Finish** Brushed Aluminium | Black | White | Custom  
**System** Cable System | Basis Track | ReTrac | Eutrac | Monopoint  
**Lamp** MR16 [QR-CBC 51]  
**Rating** 50W Max at 12V  
**Arm Length** 650mm [can be cut to length]  
**Gear Type** Remote  
**Accessories** Snoots | Louvres | Lenses  
**Weight** AL | BK | WH - 390g - 405g



Evo S16 is a fully adjustable spotlight for the MR16 lamp, mounted on a long arm. It is specifically designed for use with wall mounted ReTrac and Monopoint systems. There are three interchangeable snoots that click into place with a bayonet mechanism, each of them compatible with a wide range of lenses and louvres, using an optional snap-in accessory holder. The specially designed heatsink and airflow system reduces the lamp and surface temperature while preventing any light spill. Standard finishes are brushed aluminium, white and black, with custom finishes and arm lengths available on request.

The jack plug system allows the luminaires to be easily removed for cleaning or relamping. The luminaires click into the jack plug socket, the threaded jacket then screws into position to lock the connection in place. Once fixed, the luminaires are free to rotate or alternatively, can be secured in place using two locking pins.



**Notes**

For Evo S16 snoots and accessory holders please see spec sheets 250-01 & 244.  
 For Evo S16 accessories please see spec sheet 900.



	Cable	Basis Track	ReTrac	Eutrac	Trimless Monopoint	Power Monopoint	Flat Monopoint	Node Monopoint	Surface Monopoint
		BT-292-AL	RT-292-AL		MPS-292-AL	MPT-292-AL	MPX-292-AL	MPY-292-AL	MPZ-292-AL
			RT-292-BK		MPS-292-BK	MPT-292-BK	MPX-292-BK	MPY-292-BK	MPZ-292-BK
			RT-292-WH		MPS-292-WH	MPT-292-WH	MPX-292-WH	MPY-292-WH	MPZ-292-WH