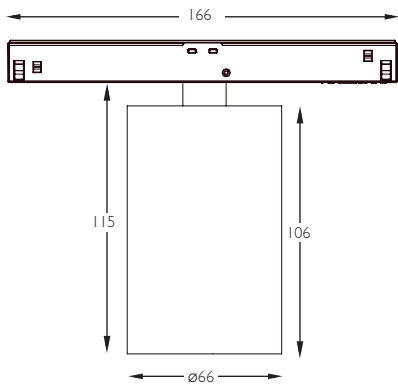


ULTRA NARROW SPOT



TECHNICAL DESCRIPTION

Solo 16 is a constant voltage single source LED spotlight that is machined from aerospace grade aluminium 6063-T6 and comes as standard in white (RAL 9016), black (RAL 9005) along with four premium aluminium and brass finishes. It has five site changeable optics for flexible distribution. The ultra narrow spot beam in our 8.4W 700lm module has a peak intensity of 32,617cd. An accessory holder is available separately that can accommodate lenses and louvres. There is a 360 degree lockable bearing aided rotation and 90 degree constant torque tilt mechanism. Solo 16 for Stucchi is suited to 48V DC Stucchi track and provides individual dimming control via DALI.

MECHANICAL & ELECTRICAL

CATEGORY Interior use only IP20
MATERIAL Machined Aluminium 6063-T6 | Machined Brass
PAN 360°
TILT 90°
LOCKABLE Pan
ACCESSORIES Accessory holder | Lenses | Louvre
MOUNTING Stucchi Recessed | Trimless Recessed | Surface | Suspended
WEIGHT 395g (570g for Premium finishes)
FORWARD VOLTAGE 48V
SUPPLY TYPE Constant Voltage
DIMMING DALI

FINISHES

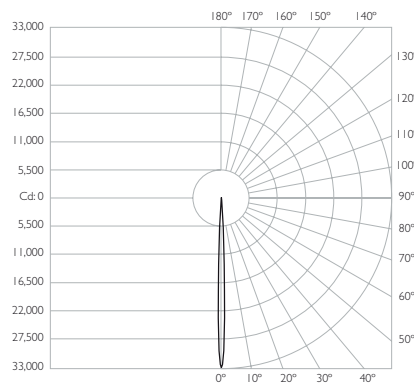
FINISHES Brushed Aluminium | White RAL9016 | Black RAL9006 | Rubbed Bronze* | Polished Brass* | Brushed Brass*

*All premium & custom finishes are built & finished to order. These are subject to an extended lead time & MOQ. All premium finishes are supplied with a black track adapter.

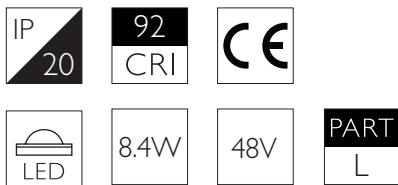
OPTICAL

SYSTEM POWER 8.4W
MODULE OUTPUT 700lm**
ABSOLUTE OUTPUT 660lm
LOR 94
COLOUR TEMPERATURE 2700K | 3000K
CRI 92 TYP
TM-30 RF: 90 RG: 99
BEAM ANGLE 06°

**Photometry shown is correct for 3000K module. Please enquire for 2700K module output.



Distance (m)	Beam Diameter (m)	Intensity (lx)
1m	0.10m	32,616 lx
2m	0.21m	8,154 lx
3m	0.31m	3,624 lx
4m	0.42m	2,039 lx
5m	0.52m	1,305 lx



FINISH	Track & Adapter	Luminaire				
		White 9016	Black 9005	Brushed Aluminium*	Rubbed Bronze *	Polished Brass *

DIMMING	DALI					
		I052-TW-XX9206-D	I052-BK-XX9206-D	I052-AL-XX9206-D	I052-RB-XX9206-D	I052-PB-XX9206-D

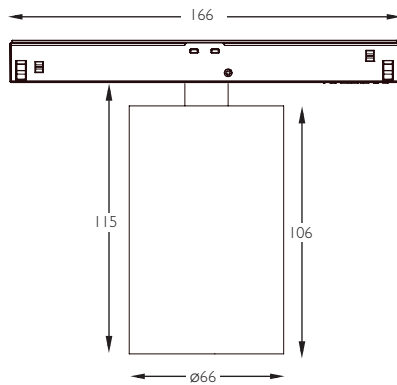
For 3000K Substitute XX with 30

-

For 2700K Substitute XX with 27

*All premium & custom finishes are built & finished to order. These are subject to an extended lead time & MOQ. All premium finishes are supplied with a black track adapter.

NARROW SPOT



TECHNICAL DESCRIPTION

Solo 16 is a constant voltage single source LED spotlight that is machined from aerospace grade aluminium 6063-T6 and comes as standard in white (RAL 9016), black (RAL 9005) along with four premium aluminium and brass finishes. It has five site changeable optics for flexible distribution. The narrow spot beam in our 8.4W 700lm module has a peak intensity of 12,685cd. An accessory holder is available separately that can accommodate lenses and louvres. There is a 360 degree lockable bearing aided rotation and 90 degree constant torque tilt mechanism. Solo 16 for Stucchi is suited to 48V DC Stucchi track and provides individual dimming control via DALI.

MECHANICAL & ELECTRICAL

CATEGORY Interior use only IP20

MATERIAL Machined Aluminium 6063-T6 | Machined Brass

PAN 360°

TILT 90°

LOCKABLE Pan

ACCESSORIES Accessory holder | Lenses | Louvre

MOUNTING Stucchi Recessed | Trimless Recessed | Surface | Suspended

WEIGHT 395g (570g for Premium finishes)

FORWARD VOLTAGE 48V

SUPPLY TYPE Constant Voltage

DIMMING DALI

FINISHES

FINISHES Brushed Aluminium | White RAL9016 | Black RAL9006 | Rubbed Bronze* | Polished Brass* | Brushed Brass*

*All premium & custom finishes are built & finished to order. These are subject to an extended lead time & MOQ.

All premium finishes are supplied with a black track adapter.

OPTICAL

SYSTEM POWER 8.4W

MODULE OUTPUT 700lm**

ABSOLUTE OUTPUT 660lm

LOR 94

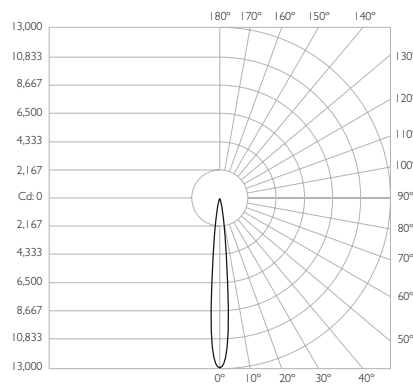
COLOUR TEMPERATURE 2700K | 3000K

CRI 92 TYP

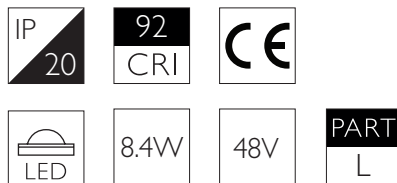
TM-30 RF: 90 RG: 99

BEAM ANGLE 10°

**Photometry shown is correct for 3000K module. Please enquire for 2700K module output.



Distance (m)	Beam Diameter (m)	Intensity (lx)
1m	0.17m	12,685 lx
2m	0.35m	3,171 lx
3m	0.52m	1,409 lx
4m	0.70m	792 lx
5m	0.87m	507 lx



FINISH	Track & Adapter	Luminaire				
		White 9016	Black 9005	Brushed Aluminium*	Rubbed Bronze *	Polished Brass *

DIMMING	DALI					
		I052-TW-XX9210-D	I052-BK-XX9210-D	I052-AL-XX9210-D	I052-RB-XX9210-D	I052-PB-XX9210-D

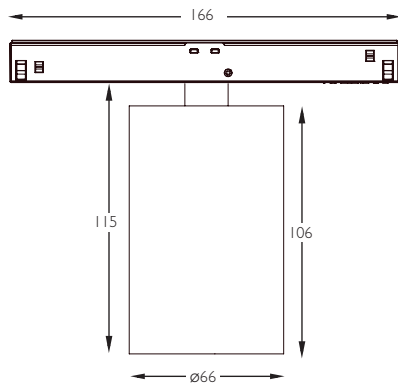
For 3000K Substitute XX with 30

-

For 2700K Substitute XX with 27

*All premium & custom finishes are built & finished to order. These are subject to an extended lead time & MOQ. All premium finishes are supplied with a black track adapter.

MEDIUM



TECHNICAL DESCRIPTION

Solo 16 is a constant voltage single source LED spotlight that is machined from aerospace grade aluminium 6063-T6 and comes as standard in white (RAL 9016), black (RAL 9005) along with four premium aluminium and brass finishes. It has five site changeable optics for flexible distribution. The medium beam in our 8.4W 700lm module has a peak intensity of 5449cd. An accessory holder is available separately that can accommodate lenses and louvres. There is a 360 degree lockable bearing aided rotation and 90 degree constant torque tilt mechanism. Solo 16 for Stucchi is suited to 48V DC Stucchi track and provides individual dimming control via DALI.

MECHANICAL & ELECTRICAL

CATEGORY Interior use only IP20

MATERIAL Machined Aluminium 6063-T6 | Machined Brass

PAN 360°

TILT 90°

LOCKABLE Pan

ACCESSORIES Accessory holder | Lenses | Louvre

MOUNTING Stucchi Recessed | Trimless Recessed | Surface | Suspended

WEIGHT 395g (570g for Premium finishes)

FORWARD VOLTAGE 48V

SUPPLY TYPE Constant Voltage

DIMMING DALI

FINISHES

FINISHES Brushed Aluminium | White RAL9016 | Black RAL9006 | Rubbed Bronze* | Polished Brass* | Brushed Brass*

*All premium & custom finishes are built & finished to order. These are subject to an extended lead time & MOQ.

All premium finishes are supplied with a black track adapter.

OPTICAL

SYSTEM POWER 8.4W

MODULE OUTPUT 700lm**

ABSOLUTE OUTPUT 670lm

LOR 96

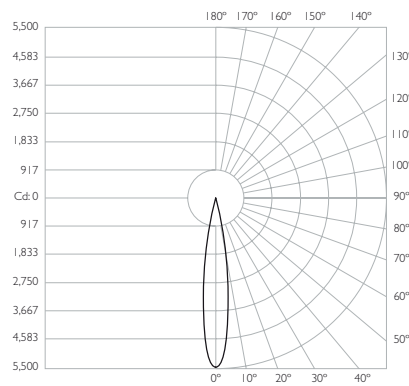
COLOUR TEMPERATURE 2700K | 3000K

CRI 92 TYP

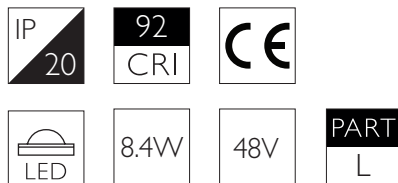
TM-30 RF: 90 RG: 99

BEAM ANGLE 15°

**Photometry shown is correct for 3000K module. Please enquire for 2700K module output.



Distance (m)	Beam Diameter (m)	Footcandle (lx)
1m	0.26m	5,449 lx
2m	0.53m	1,362 lx
3m	0.79m	605 lx
4m	1.05m	340 lx
5m	1.32m	217 lx



FINISH	Track & Adapter	Luminaire				
		White 9016	Black 9005	Brushed Aluminium*	Rubbed Bronze *	Polished Brass *

DIMMING	DALI					
		I052-TW-XX9215-D	I052-BK-XX9215-D	I052-AL-XX9215-D	I052-RB-XX9215-D	I052-PB-XX9215-D

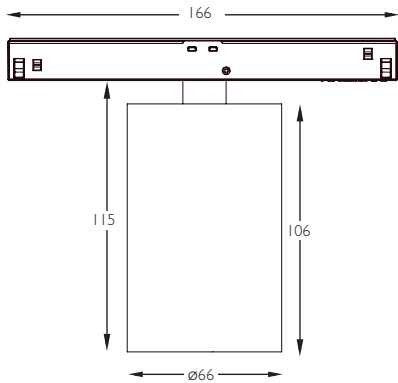
For 3000K Substitute XX with 30

-

For 2700K Substitute XX with 27

*All premium & custom finishes are built & finished to order. These are subject to an extended lead time & MOQ. All premium finishes are supplied with a black track adapter.

FLOOD



TECHNICAL DESCRIPTION

Solo 16 is a constant voltage single source LED spotlight that is machined from aerospace grade aluminium 6063-T6 and comes as standard in white (RAL 9016), black (RAL 9005) along with four premium aluminium and brass finishes. It has five site changeable optics for flexible distribution. The flood beam in our 8.4W 700lm module has a peak intensity of 1670cd. An accessory holder is available separately that can accommodate lenses and louvres. There is a 360 degree lockable bearing aided rotation and 90 degree constant torque tilt mechanism. Solo 16 for Stucchi is suited to 48V DC Stucchi track and provides individual dimming control via DALI.

MECHANICAL & ELECTRICAL

CATEGORY Interior use only IP20
MATERIAL Machined Aluminium 6063-T6 | Machined Brass
PAN 360°
TILT 90°
LOCKABLE Pan
ACCESSORIES Accessory holder | Lenses | Louvre
MOUNTING Stucchi Recessed | Trimless Recessed | Surface | Suspended
WEIGHT 395g (570g for Premium finishes)
FORWARD VOLTAGE 48V
SUPPLY TYPE Constant Voltage
DIMMING DALI

FINISHES

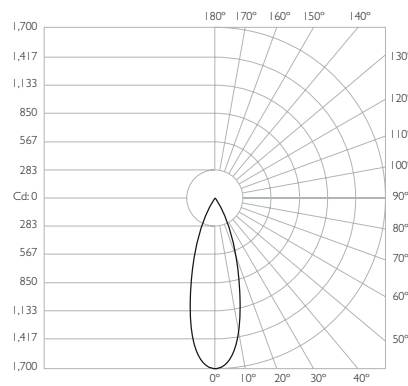
FINISHES Brushed Aluminium | White RAL9016 | Black RAL9006 | Rubbed Bronze* | Polished Brass* | Brushed Brass*

*All premium & custom finishes are built & finished to order. These are subject to an extended lead time & MOQ. All premium finishes are supplied with a black track adapter.

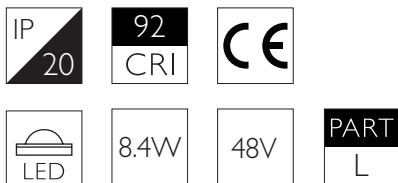
OPTICAL

SYSTEM POWER 8.4W
MODULE OUTPUT 700lm**
ABSOLUTE OUTPUT 630lm
LOR 90
COLOUR TEMPERATURE 2700K | 3000K
CRI 92 TYP
TM-30 RF: 90 RG: 99
BEAM ANGLE 30°

**Photometry shown is correct for 3000K module. Please enquire for 2700K module output.



Distance (m)	Beam Diameter (m)	Illuminance (lx)
1m	0.54m	1,670 lx
2m	1.07m	418 lx
3m	1.61m	186 lx
4m	2.14m	104 lx
5m	2.68m	67 lx



FINISH	Track & Adapter	White 9016	Black 9005			
	Luminaire	White 9016	Black 9005	Brushed Aluminium*	Rubbed Bronze *	Polished Brass *

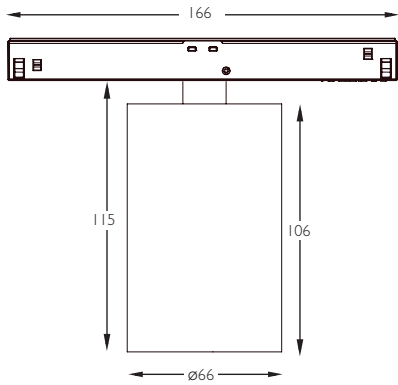
DIMMING	DALI	I052-TW-XX9230-D	I052-BK-XX9230-D	I052-AL-XX9230-D	I052-RB-XX9230-D	I052-PB-XX9230-D	I052-SB-XX9230-D
---------	------	------------------	------------------	------------------	------------------	------------------	------------------

For 3000K Substitute XX with 30

For 2700K Substitute XX with 27

*All premium & custom finishes are built & finished to order. These are subject to an extended lead time & MOQ. All premium finishes are supplied with a black track adapter.

WIDE FLOOD



TECHNICAL DESCRIPTION

Solo 16 is a constant voltage single source LED spotlight that is machined from aerospace grade aluminium 6063-T6 and comes as standard in white (RAL 9016), black (RAL 9005) along with four premium aluminium and brass finishes. It has five site changeable optics for flexible distribution. The wide flood beam in our 8.4W 700lm module has a peak intensity of 540cd. An accessory holder is available separately that can accommodate lenses and louvres. There is a 360 degree lockable bearing aided rotation and 90 degree constant torque tilt mechanism. Solo 16 for Stucchi is suited to 48V DC Stucchi track and provides individual dimming control via DALI.

MECHANICAL & ELECTRICAL

CATEGORY Interior use only IP20

MATERIAL Machined Aluminium 6063-T6 | Machined Brass

PAN 360°

TILT 90°

LOCKABLE Pan

ACCESSORIES Accessory holder | Lenses | Louvre

MOUNTING Stucchi Recessed | Trimless Recessed | Surface | Suspended

WEIGHT 395g (570g for Premium finishes)

FORWARD VOLTAGE 48V

SUPPLY TYPE Constant Voltage

DIMMING DALI

FINISHES

FINISHES Brushed Aluminium | White RAL9016 | Black RAL9006 | Rubbed Bronze* | Polished Brass* | Brushed Brass*

*All premium & custom finishes are built & finished to order. These are subject to an extended lead time & MOQ.

All premium finishes are supplied with a black track adapter.

OPTICAL

SYSTEM POWER 8.4W

MODULE OUTPUT 700lm**

ABSOLUTE OUTPUT 630lm

LOR 90

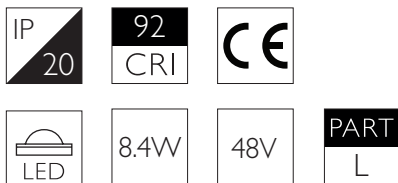
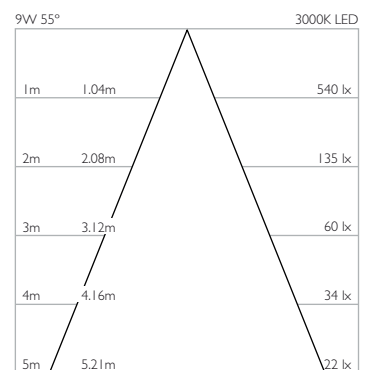
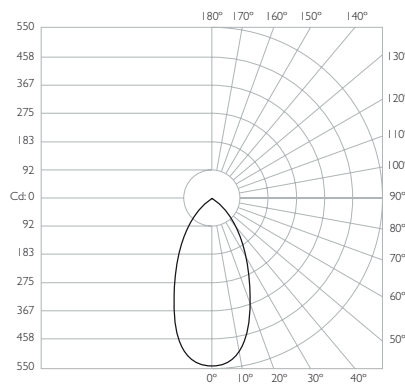
COLOUR TEMPERATURE 2700K | 3000K

CRI 92 TYP

TM-30 RF: 90 RG: 99

BEAM ANGLE 55°

**Photometry shown is correct for 3000K module. Please enquire for 2700K module output.



FINISH	Track & Adapter	Black 9005					
	Luminaire	White 9016	Black 9005	Brushed Aluminium*	Rubbed Bronze *	Polished Brass *	Brushed Brass *
DIMMING	DALI	I052-TW-XX9255-D	I052-BK-XX9255-D	I052-AL-XX9255-D	I052-RB-XX9255-D	I052-PB-XX9255-D	I052-SB-XX9255-D

For 3000K Substitute XX with 30

-

For 2700K Substitute XX with 27

*All premium & custom finishes are built & finished to order. These are subject to an extended lead time & MOQ. All premium finishes are supplied with a black track adapter.