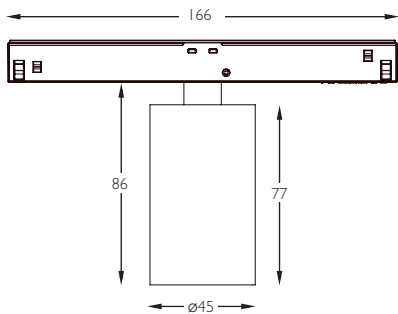


## ULTRA NARROW SPOT



### TECHNICAL DESCRIPTION

Solo 11 is a constant voltage single source LED spotlight that is machined from aerospace grade aluminium 6063-T6 and comes as standard in white (RAL 9016), black (RAL 9005) along with four premium aluminium and brass finishes. It has five site changeable optics for flexible distribution. The ultra narrow spot beam in our 4.9W 405lm module has a peak intensity of 9532cd. An accessory holder is available separately that can accommodate lenses and louvres. There is a 360 degree lockable bearing aided rotation and 90 degree constant torque tilt mechanism. Solo 11 for Stucchi is suited to 48V DC Stucchi track and provides individual dimming control via DALI.

### MECHANICAL & ELECTRICAL

**CATEGORY** Interior use only IP20

**MATERIAL** Machined Aluminium 6063-T6 | Machined Brass

**PAN** 360°

**TILT** 90°

**LOCKABLE** Pan

**ACCESSORIES** Accessory holder | Lenses | Louvre

**MOUNTING** Stucchi Recessed | Trimless Recessed | Surface | Suspended

**WEIGHT** 170g (235g for Premium finishes)

**FORWARD VOLTAGE** 48V

**SUPPLY TYPE** Constant Voltage

**DIMMING** DALI

### FINISHES

**FINISHES** Brushed Aluminium | White RAL9016 | Black RAL9006 | Rubbed Bronze\* | Polished Brass\* | Brushed Brass\*

\*All premium & custom finishes are built & finished to order. These are subject to an extended lead time & MOQ. All premium finishes are supplied with a black track adapter.

### OPTICAL

**SYSTEM POWER** 4.9W

**MODULE OUTPUT** 405lm\*\*

**ABSOLUTE OUTPUT** 397lm

**LOR** 98

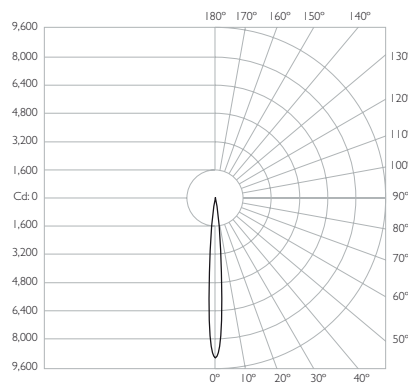
**COLOUR TEMPERATURE** 2700K | 3000K

**CRI** 92 TYP

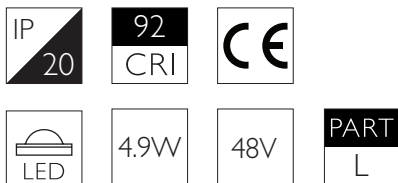
**TM-30** RF: 90 RG: 99

**BEAM ANGLE** 09°

\*\*Photometry shown is correct for 3000K module. Please enquire for 2700K module output.



Distance (m)	Beam Diameter (m)	Footcandle (lx)
1m	0.16m	9,532 lx
2m	0.31m	2,383 lx
3m	0.47m	1,059 lx
4m	0.63m	596 lx
5m	0.79m	331 lx



FINISH	Track & Adapter	Luminaire				
		White 9016	Black 9005	Brushed Aluminium*	Rubbed Bronze *	Polished Brass *

DIMMING	DALI					
		I042-TW-XX9209-D	I042-BK-XX9209-D	I042-AL-XX9209-D	I042-RB-XX9209-D	I042-PB-XX9209-D

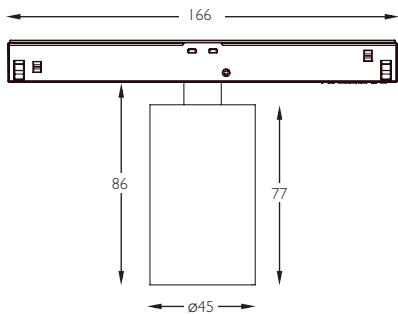
For 3000K Substitute XX with 30

-

For 2700K Substitute XX with 27

\*All premium & custom finishes are built & finished to order. These are subject to an extended lead time & MOQ. All premium finishes are supplied with a black track adapter.

## NARROW SPOT



### TECHNICAL DESCRIPTION

Solo 11 is a constant voltage single source LED spotlight that is machined from aerospace grade aluminium 6063-T6 and comes as standard in white (RAL 9016), black (RAL 9005) along with four premium aluminium and brass finishes. It has five site changeable optics for flexible distribution. The narrow spot beam in our 4.9W 405lm module has a peak intensity of 7322cd. An accessory holder is available separately that can accommodate lenses and louvres. There is a 360 degree lockable bearing aided rotation and 90 degree constant torque tilt mechanism. Solo 11 for Stucchi is suited to 48V DC Stucchi track and provides individual dimming control via DALI.

### MECHANICAL & ELECTRICAL

**CATEGORY** Interior use only IP20

**MATERIAL** Machined Aluminium 6063-T6 | Machined Brass

**PAN** 360°

**TILT** 90°

**LOCKABLE** Pan

**ACCESSORIES** Accessory holder | Lenses | Louvre

**MOUNTING** Stucchi Recessed | Trimless Recessed | Surface | Suspended

**WEIGHT** 170g (235g for Premium finishes)

**FORWARD VOLTAGE** 48V

**SUPPLY TYPE** Constant Voltage

**DIMMING** DALI

### FINISHES

**FINISHES** Brushed Aluminium | White RAL9016 | Black RAL9006 | Rubbed Bronze\* | Polished Brass\* | Brushed Brass\*

\*All premium & custom finishes are built & finished to order. These are subject to an extended lead time & MOQ.

All premium finishes are supplied with a black track adapter.

### OPTICAL

**SYSTEM POWER** 4.9W

**MODULE OUTPUT** 405lm\*\*

**ABSOLUTE OUTPUT** 396lm

**LOR** 98

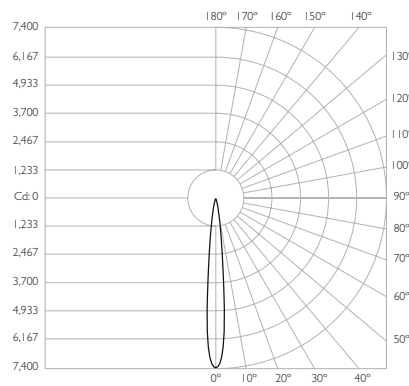
**COLOUR TEMPERATURE** 2700K | 3000K

**CRI** 92 TYP

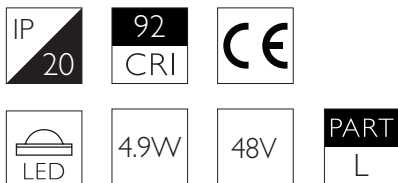
**TM-30** RF: 90 RG: 99

**BEAM ANGLE** 11°

\*\*Photometry shown is correct for 3000K module. Please enquire for 2700K module output.



Distance (m)	Beam Diameter (m)	Intensity (lx)
1m	0.19m	7,322 lx
2m	0.39m	1,831 lx
3m	0.58m	814 lx
4m	0.77m	458 lx
5m	0.96m	293 lx



FINISH	Track & Adapter	Luminaire				
		White 9016	Black 9005	Brushed Aluminium*	Rubbed Bronze *	Polished Brass *

DIMMING	DALI					
		I042-TW-XX9211-D	I042-BK-XX9211-D	I042-AL-XX9211-D	I042-RB-XX9211-D	I042-PB-XX9211-D

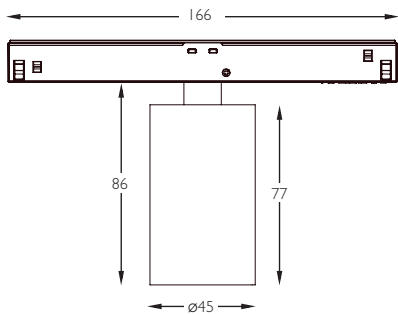
For 3000K Substitute XX with 30

-

For 2700K Substitute XX with 27

\*All premium & custom finishes are built & finished to order. These are subject to an extended lead time & MOQ. All premium finishes are supplied with a black track adapter.

MEDIUM



## TECHNICAL DESCRIPTION

Solo 11 is a constant voltage single source LED spotlight that is machined from aerospace grade aluminium 6063-T6 and comes as standard in white (RAL 9016), black (RAL 9005) along with four premium aluminium and brass finishes. It has five site changeable optics for flexible distribution. The medium beam in our 4.9W 405lm module has a peak intensity of 3966cd. An accessory holder is available separately that can accommodate lenses and louvres. There is a 360 degree lockable bearing aided rotation and 90 degree constant torque tilt mechanism. Solo 11 for Stucchi is suited to 48V DC Stucchi track and provides individual dimming control via DALI.

## MECHANICAL & ELECTRICAL

**CATEGORY** Interior use only IP20

**MATERIAL** Machined Aluminium 6063-T6 | Machined Brass

**PAN** 360°

**TILT** 90°

**LOCKABLE** Pan

**ACCESSORIES** Accessory holder | Lenses | Louvre

**MOUNTING** Stucchi Recessed | Trimless Recessed | Surface | Suspended

**WEIGHT** 170g (235g for Premium finishes)

**FORWARD VOLTAGE** 48V

**SUPPLY TYPE** Constant Voltage

**DIMMING** DALI

## FINISHES

**FINISHES** Brushed Aluminium | White RAL9016 | Black RAL9006 | Rubbed Bronze\* | Polished Brass\* | Brushed Brass\*

\*All premium & custom finishes are built & finished to order. These are subject to an extended lead time & MOQ.

All premium finishes are supplied with a black track adapter.

## OPTICAL

**SYSTEM POWER** 4.9W

**MODULE OUTPUT** 405lm\*\*

**ABSOLUTE OUTPUT** 397lm

**LOR** 98

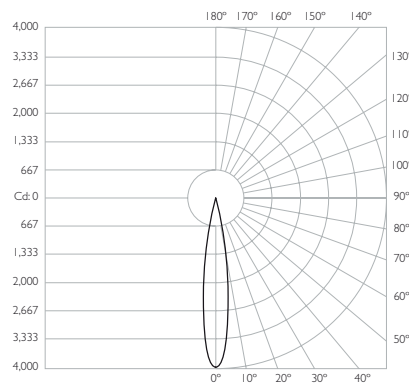
**COLOUR TEMPERATURE** 2700K | 3000K

**CRI** 92 TYP

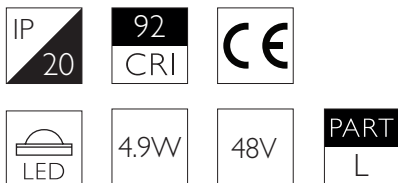
**TM-30** RF: 90 RG: 99

**BEAM ANGLE** 15°

\*\*Photometry shown is correct for 3000K module. Please enquire for 2700K module output.



Distance (m)	Beam Diameter (m)	Illuminance (lx)
1m	0.26m	3,966 lx
2m	0.53m	992 lx
3m	0.79m	441 lx
4m	1.05m	248 lx
5m	1.32m	159 lx



FINISH	Track & Adapter	Luminaire				
		White 9016	Black 9005	Brushed Aluminium*	Rubbed Bronze *	Polished Brass *

DIMMING	DALI					
		I042-TW-XX9215-D	I042-BK-XX9215-D	I042-AL-XX9215-D	I042-RB-XX9215-D	I042-PB-XX9215-D

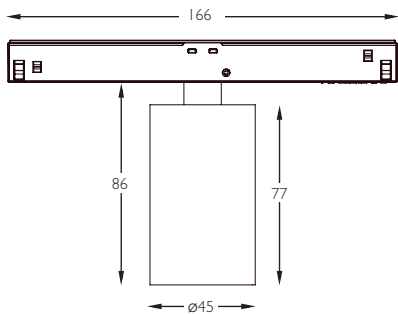
For 3000K Substitute XX with 30

-

For 2700K Substitute XX with 27

\*All premium & custom finishes are built & finished to order. These are subject to an extended lead time & MOQ. All premium finishes are supplied with a black track adapter.

FLOOD



## TECHNICAL DESCRIPTION

Solo 11 is a constant voltage single source LED spotlight that is machined from aerospace grade aluminium 6063-T6 and comes as standard in white (RAL 9016), black (RAL 9005) along with four premium aluminium and brass finishes. It has five site changeable optics for flexible distribution. The flood beam in our 4.9W 405lm module has a peak intensity of 1203cd. An accessory holder is available separately that can accommodate lenses and louvres. There is a 360 degree lockable bearing aided rotation and 90 degree constant torque tilt mechanism. Solo 11 for Stucchi is suited to 48V DC Stucchi track and provides individual dimming control via DALI.

## MECHANICAL & ELECTRICAL

**CATEGORY** Interior use only IP20

**MATERIAL** Machined Aluminium 6063-T6 | Machined Brass

**PAN** 360°

**TILT** 90°

**LOCKABLE** Pan

**ACCESSORIES** Accessory holder | Lenses | Louvre

**MOUNTING** Stucchi Recessed | Trimless Recessed | Surface | Suspended

**WEIGHT** 170g (235g for Premium finishes)

**FORWARD VOLTAGE** 48V

**SUPPLY TYPE** Constant Voltage

**DIMMING** DALI

## FINISHES

**FINISHES** Brushed Aluminium | White RAL9016 | Black RAL9006 | Rubbed Bronze\* | Polished Brass\* | Brushed Brass\*

\*All premium & custom finishes are built & finished to order. These are subject to an extended lead time & MOQ. All premium finishes are supplied with a black track adapter.

## OPTICAL

**SYSTEM POWER** 4.9W

**MODULE OUTPUT** 405lm\*\*

**ABSOLUTE OUTPUT** 345lm

**LOR** 85

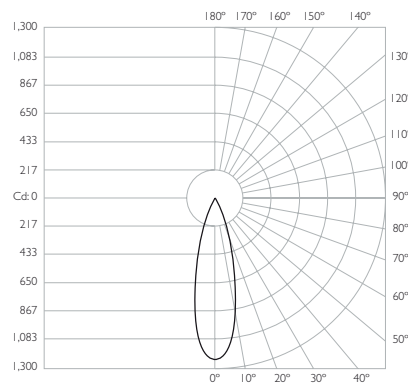
**COLOUR TEMPERATURE** 2700K | 3000K

**CRI** 92 TYP

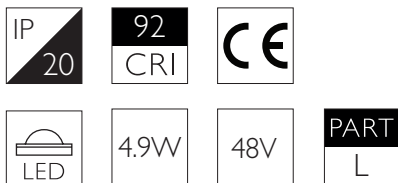
**TM-30** RF: 90 RG: 99

**BEAM ANGLE** 25°

\*\*Photometry shown is correct for 3000K module. Please enquire for 2700K module output.



Distance (m)	Beam Diameter (m)	Illuminance (lx)
1m	0.44m	1,203 lx
2m	0.89m	301 lx
3m	1.33m	134 lx
4m	1.77m	75 lx
5m	2.22m	48 lx



FINISH	Track & Adapter	Black 9005				
	Luminaire	White 9016	Black 9005	Brushed Aluminium*	Rubbed Bronze *	Polished Brass *

DIMMING	DALI					
		I042-TW-XX9225-D	I042-BK-XX9225-D	I042-AL-XX9225-D	I042-RB-XX9225-D	I042-PB-XX9225-D

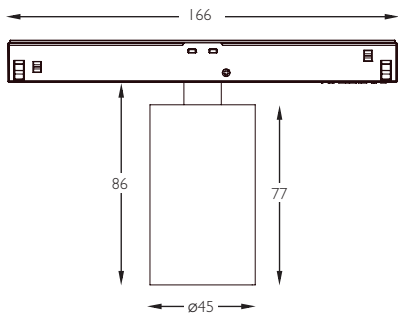
For 3000K Substitute XX with 30

-

For 2700K Substitute XX with 27

\*All premium & custom finishes are built & finished to order. These are subject to an extended lead time & MOQ. All premium finishes are supplied with a black track adapter.

## WIDE FLOOD



### TECHNICAL DESCRIPTION

Solo 11 is a constant voltage single source LED spotlight that is machined from aerospace grade aluminium 6063-T6 and comes as standard in white (RAL 9016), black (RAL 9005) along with four premium aluminium and brass finishes. It has five site changeable optics for flexible distribution. The wide flood beam in our 4.9W 405lm module has a peak intensity of 348cd. An accessory holder is available separately that can accommodate lenses and louvres. There is a 360 degree lockable bearing aided rotation and 90 degree constant torque tilt mechanism. Solo 11 for Stucchi is suited to 48V DC Stucchi track and provides individual dimming control via DALI.

### MECHANICAL & ELECTRICAL

**CATEGORY** Interior use only IP20

**MATERIAL** Machined Aluminium 6063-T6 | Machined Brass

**PAN** 360°

**TILT** 90°

**LOCKABLE** Pan

**ACCESSORIES** Accessory holder | Lenses | Louvre

**MOUNTING** Stucchi Recessed | Trimless Recessed | Surface | Suspended

**WEIGHT** 170g (235g for Premium finishes)

**FORWARD VOLTAGE** 48V

**SUPPLY TYPE** Constant Voltage

**DIMMING** DALI

### FINISHES

**FINISHES** Brushed Aluminium | White RAL9016 | Black RAL9006 | Rubbed Bronze\* | Polished Brass\* | Brushed Brass\*

\*All premium & custom finishes are built & finished to order. These are subject to an extended lead time & MOQ.

All premium finishes are supplied with a black track adapter.

### OPTICAL

**SYSTEM POWER** 4.9W

**MODULE OUTPUT** 405lm\*\*

**ABSOLUTE OUTPUT** 330lm

**LOR** 81

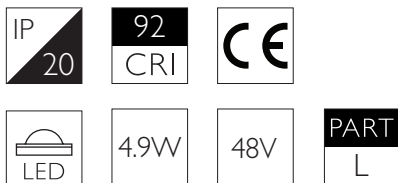
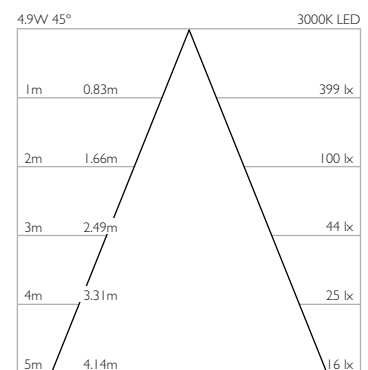
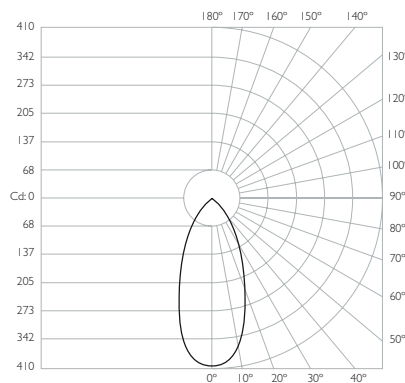
**COLOUR TEMPERATURE** 2700K | 3000K

**CRI** 92 TYP

**TM-30** RF: 90 RG: 99

**BEAM ANGLE** 45°

\*\*Photometry shown is correct for 3000K module. Please enquire for 2700K module output.



FINISH	Track & Adapter	Black 9005				
	Luminaire	White 9016	Black 9005	Brushed Aluminium*	Rubbed Bronze *	Polished Brass *

DIMMING	DALI					
		I042-TW-XX9245-D	I042-BK-XX9245-D	I042-AL-XX9245-D	I042-RB-XX9245-D	I042-PB-XX9245-D

For 3000K Substitute XX with 30

-

For 2700K Substitute XX with 27

\*All premium & custom finishes are built & finished to order. These are subject to an extended lead time & MOQ. All premium finishes are supplied with a black track adapter.