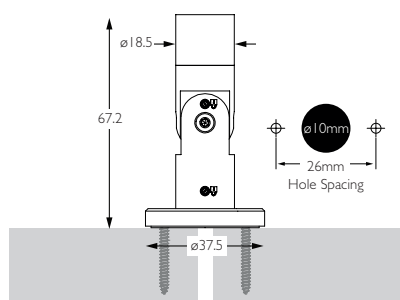
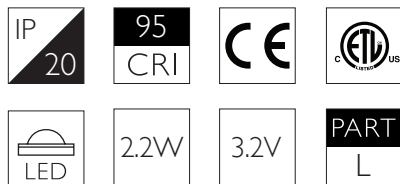
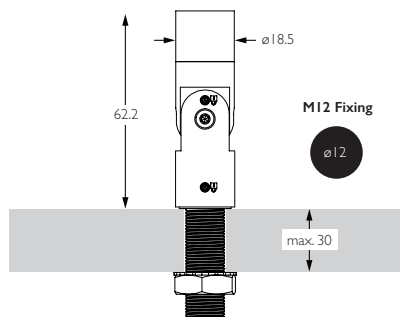




SURFACE MOUNT



M12 MOUNT



TECHNICAL DESCRIPTION

Pico is a miniature, display orientated LED spotlight that comes as standard in white, black and brushed aluminium finishes. It has three site changeable optics for flexible distribution. The narrow spot beam in our 2.2W 180lm module has a peak intensity of 1570cd. There is a 360 degree bearing aided rotation and 180 degree constant torque tilt mechanism, both lockable. There are 2 mounting methods, from the front using screws or from the rear using the M12 threaded stud.

MECHANICAL & ELECTRICAL

CATEGORY Interior use only IP20

MATERIAL Aluminium

LOCKABLE Pan & Tilt

ACCESSORIES Snoots

MOUNT ACCESSORIES Surface cable routing

MOUNTING M12 / Screw Fixing

SYSTEM POWER 2.2W

WEIGHT 47g

FORWARD VOLTAGE 3.2V MAX

CURRENT 700mA

FINISHES

FINISHES Brushed Aluminium | Black | White | Custom*

* All custom finishes are built and finished to order. These are subject to an extended lead time and MOQ

OPTICAL

MODULE OUTPUT 180lm**

ABSOLUTE OUTPUT 168lm

LOR 93

DRIVER Constant Current

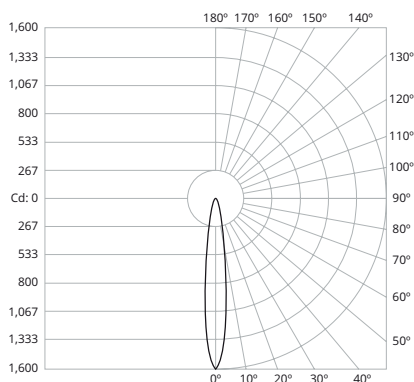
COLOUR TEMPERATURE 3000K**

CRI 95 TYP

TM-30 RF: 93 RG: 99

BEAM ANGLE 12°

** Photometry shown is correct for 3000K module. Please enquire for 2700K module output.



| Distance (m) | Beam Diameter (m) | Illuminance (lx) |
|--------------|-------------------|------------------|
| 1m | 0.21m | 1,570 lx |
| 2m | 0.43m | 392 lx |
| 3m | 0.64m | 174 lx |
| 4m | 0.85m | 98 lx |
| 5m | 1.06m | 63 lx |



Surface



M12

| Finish | Surface Part | M12 Part |
|--------|-------------------|-------------------|
| AL | MPN-791-AL-XX9512 | M12-791-AL-XX9512 |
| WH | MPN-791-WH-XX9512 | M12-791-WH-XX9512 |
| BK | MPN-791-BK-XX9512 | M12-791-BK-XX9512 |

For 3000K Substitute XX with 30

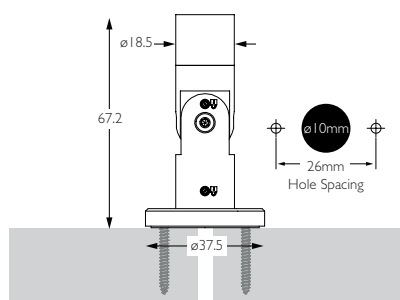
For 2700K Substitute XX with 27



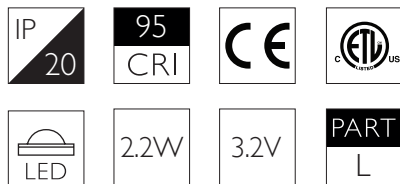
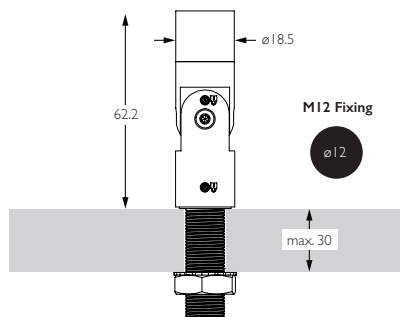
TECHNICAL DESCRIPTION

Pico is a miniature, display orientated LED spotlight that comes as standard in white, black and brushed aluminium finishes. It has three site changeable optics for flexible distribution. The medium beam in our 2.2W 180lm module has a peak intensity of 463cd. There is a 360 degree bearing aided rotation and 180 degree constant torque tilt mechanism, both lockable. There are 2 mounting methods, from the front using screws or from the rear using the M12 threaded stud.

SURFACE MOUNT



M12 MOUNT



MECHANICAL & ELECTRICAL

CATEGORY Interior use only IP20

MATERIAL Aluminium

LOCKABLE Pan & Tilt

ACCESSORIES Snoots

MOUNT ACCESSORIES Surface cable routing

MOUNTING M12 / Screw Fixing

SYSTEM POWER 2.2W

WEIGHT 47g

FORWARD VOLTAGE 3.2V MAX

CURRENT 700mA

FINISHES

FINISHES Brushed Aluminium | Black | White | Custom*

* All custom finishes are built and finished to order. These are subject to an extended lead time and MOQ

OPTICAL

MODULE OUTPUT 180lm**

ABSOLUTE OUTPUT 153lm

LOR 93

DRIVER Constant Current

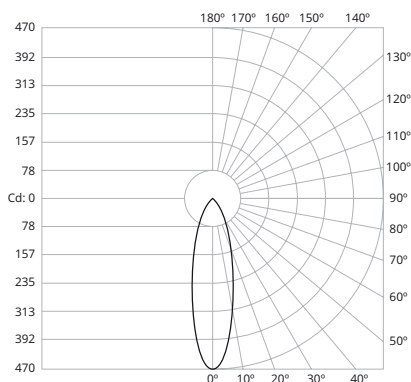
COLOUR TEMPERATURE 3000K**

CRI 95 TYP

TM-30 RF: 93 RG: 99

BEAM ANGLE 30°

** Photometry shown is correct for 3000K module. Please enquire for 2700K module output.



| Distance (m) | Beam Diameter (m) | Footcandle (lx) |
|--------------|-------------------|-----------------|
| 1m | 0.54m | 463 lx |
| 2m | 1.07m | 116 lx |
| 3m | 1.61m | 51 lx |
| 4m | 2.14m | 29 lx |
| 5m | 2.68m | 19 lx |



Surface



M12

| Finish | Surface Mount Part | M12 Mount Part |
|--------|--------------------|-------------------|
| AL | MPN-791-AL-XX9530 | M12-791-AL-XX9530 |
| WH | MPN-791-WH-XX9530 | M12-791-WH-XX9530 |
| BK | MPN-791-BK-XX9530 | M12-791-BK-XX9530 |

For 3000K Substitute XX with 30

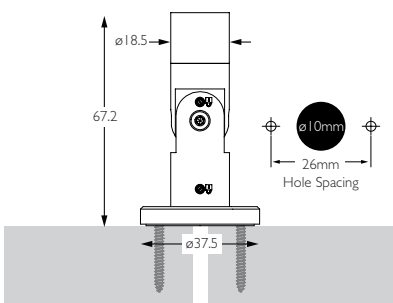
For 2700K Substitute XX with 27



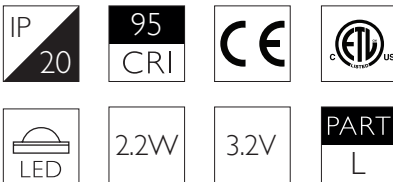
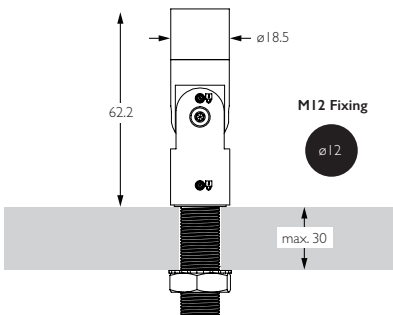
TECHNICAL DESCRIPTION

Pico is a miniature, display orientated LED spotlight that comes as standard in white, black and brushed aluminium finishes. It has three site changeable optics for flexible distribution. The flood beam in our 2.2W 180lm module has a peak intensity of 167cd. There is a 360 degree bearing aided rotation and 180 degree constant torque tilt mechanism, both lockable. There are 2 mounting methods, from the front using screws or from the rear using the M12 threaded stud.

SURFACE MOUNT



M12 MOUNT



MECHANICAL & ELECTRICAL

CATEGORY Interior use only IP20

MATERIAL Aluminium

LOCKABLE Pan & Tilt

ACCESSORIES Snoots

MOUNT ACCESSORIES Surface cable routing

MOUNTING M12 / Screw Fixing

SYSTEM POWER 2.2W

WEIGHT 47g

FORWARD VOLTAGE 3.2V MAX

CURRENT 700mA

FINISHES

FINISHES Brushed Aluminium | Black | White | Custom*

* All custom finishes are built and finished to order. These are subject to an extended lead time and MOQ

OPTICAL

MODULE OUTPUT 180lm**

ABSOLUTE OUTPUT 168lm

LOR 93

DRIVER Constant Current

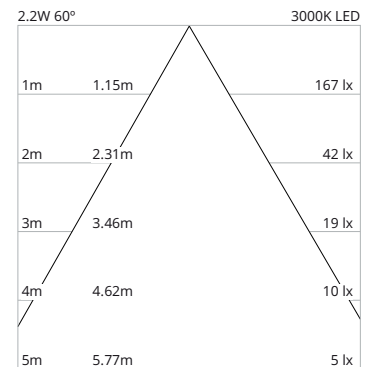
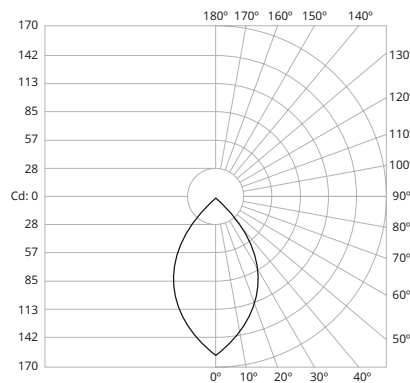
COLOUR TEMPERATURE 3000K**

CRI 95 TYP

TM-30 RF: 93 RG: 99

BEAM ANGLE 60°

** Photometry shown is correct for 3000K module. Please enquire for 2700K module output.



Surface



M12

| | | |
|----|-------------------|-------------------|
| AL | MPN-791-AL-XX9560 | M12-791-AL-XX9560 |
| WH | MPN-791-WH-XX9560 | M12-791-WH-XX9560 |
| BK | MPN-791-BK-XX9560 | M12-791-BK-XX9560 |

For 3000K Substitute XX with 30

For 2700K Substitute XX with 27