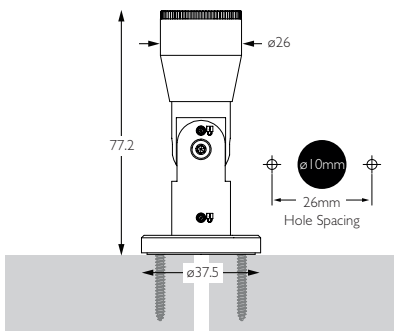




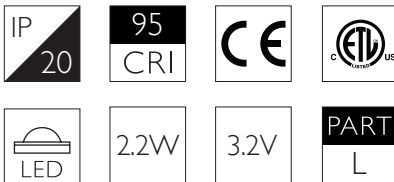
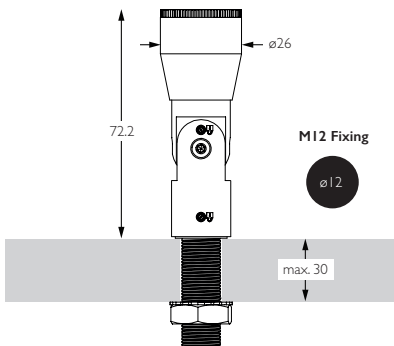
## TECHNICAL DESCRIPTION

Pico Plus is a miniature, display orientated LED spotlight capable of holding accessories that comes as standard in white, black and brushed aluminium finishes. It has three site changeable optics for flexible distribution. The narrow spot beam in our 2.2W 180lm module has a peak intensity of 1570cd. There is a 360 degree bearing aided rotation and 180 degree constant torque tilt mechanism, both lockable. There are 2 mounting methods, from the front using screws or from the rear using the M12 threaded stud.

## SURFACE MOUNT



## M12 MOUNT



## MECHANICAL & ELECTRICAL

**CATEGORY** Interior use only IP20

**MATERIAL** Aluminium

**LOCKABLE** Pan & Tilt

**ACCESSORIES** Lenses

**MOUNT ACCESSORIES** Surface cable routing

**MOUNTING** M12 / Screw Fixing

**SYSTEM POWER** 2.2W

**WEIGHT** 62g

**FORWARD VOLTAGE** 3.2V MAX

**CURRENT** 700mA

## FINISHES

**FINISHES** Brushed Aluminium | Black | White | Custom\*

\* All custom finishes are built and finished to order. These are subject to an extended lead time and MOQ

## OPTICAL

**MODULE OUTPUT** 180lm\*\*

**ABSOLUTE OUTPUT** 168lm

**LOR** 93

**DRIVER** Constant Current

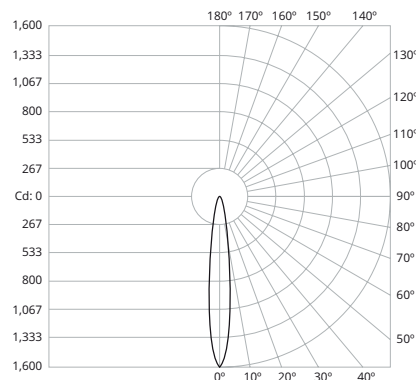
**COLOUR TEMPERATURE** 3000K\*\*

**CRI** 95 TYP

**TM-30** RF: 93 RG: 99

**BEAM ANGLE** 12°

\*\* Photometry shown is correct for 3000K module. Please enquire for 2700K module output.



Distance (m)	Beam Diameter (m)	Illuminance (lx)
1m	0.21m	1,570 lx
2m	0.43m	392 lx
3m	0.64m	174 lx
4m	0.85m	98 lx
5m	1.06m	63 lx



Surface



M12

Finish	Surface Part	M12 Part
AL	MPN-798-AL-XX9512	M12-798-AL-XX9512
WH	MPN-798-WH-XX9512	M12-798-WH-XX9512
BK	MPN-798-BK-XX9512	M12-798-BK-XX9512

For 3000K Substitute XX with 30

For 2700K Substitute XX with 27

MEDIUM



## TECHNICAL DESCRIPTION

Pico Plus is a miniature, display orientated LED spotlight capable of holding accessories that comes as standard in white, black and brushed aluminium finishes. It has three site changeable optics for flexible distribution. The medium beam in our 2.2W 180lm module has a peak intensity of 463cd. There is a 360 degree bearing aided rotation and 180 degree constant torque tilt mechanism, both lockable. There are 2 mounting methods, from the front using screws or from the rear using the M12 threaded stud.

## MECHANICAL & ELECTRICAL

**CATEGORY** Interior use only IP20

**MATERIAL** Aluminium

**LOCKABLE** Pan & Tilt

**ACCESSORIES** Lenses

**MOUNT ACCESSORIES** Surface cable routing

**MOUNTING** M12 / Screw Fixing

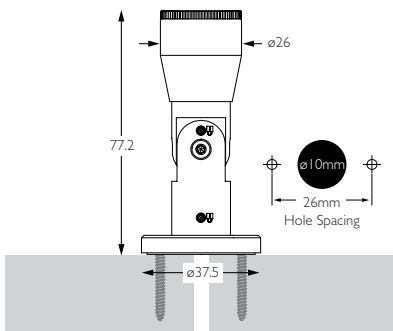
**SYSTEM POWER** 2.2W

**WEIGHT** 62g

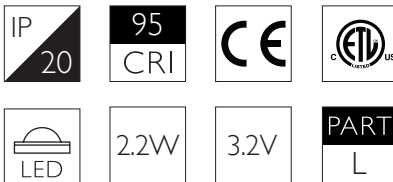
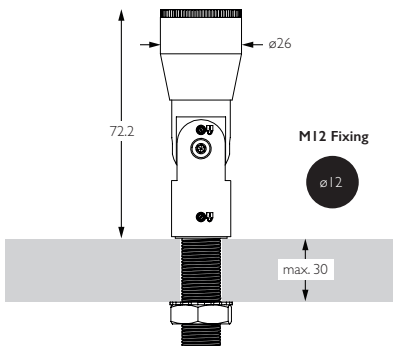
**FORWARD VOLTAGE** 3.2V MAX

**CURRENT** 700mA

### SURFACE MOUNT



### M12 MOUNT



## FINISHES

**FINISHES** Brushed Aluminium | Black | White | Custom\*

\* All custom finishes are built and finished to order. These are subject to an extended lead time and MOQ

## OPTICAL

**MODULE OUTPUT** 180lm\*\*

**ABSOLUTE OUTPUT** 153lm

**LOR** 93

**DRIVER** Constant Current

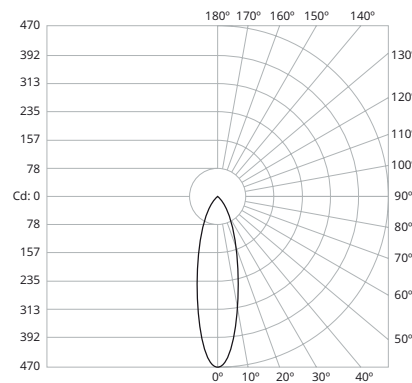
**COLOUR TEMPERATURE** 3000K\*\*

**CRI** 95 TYP

**TM-30** RF: 93 RG: 99

**BEAM ANGLE** 30°

\*\* Photometry shown is correct for 3000K module. Please enquire for 2700K module output.



Distance (m)	Beam Diameter (m)	Illuminance (lx)
1m	0.54m	463 lx
2m	1.07m	116 lx
3m	1.61m	51 lx
4m	2.14m	29 lx
5m	2.68m	19 lx



Surface



M12

Finish	Surface Mount Part	M12 Mount Part
AL	MPN-798-AL-XX9530	M12-798-AL-XX9530
WH	MPN-798-WH-XX9530	M12-798-WH-XX9530
BK	MPN-798-BK-XX9530	M12-798-BK-XX9530

For 3000K Substitute XX with 30

For 2700K Substitute XX with 27



## TECHNICAL DESCRIPTION

Pico Plus is a miniature, display orientated LED spotlight capable of holding accessories that comes as standard in white, black and brushed aluminium finishes. It has three site changeable optics for flexible distribution. The flood beam in our 2.2W 180lm module has a peak intensity of 167cd. There is a 360 degree bearing aided rotation and 180 degree constant torque tilt mechanism, both lockable. There are 2 mounting methods, from the front using screws or from the rear using the M12 threaded stud.

## MECHANICAL & ELECTRICAL

**CATEGORY** Interior use only IP20

**MATERIAL** Aluminium

**LOCKABLE** Pan & Tilt

**ACCESSORIES** Lenses

**MOUNT ACCESSORIES** Surface cable routing

**MOUNTING** M12 / Screw Fixing

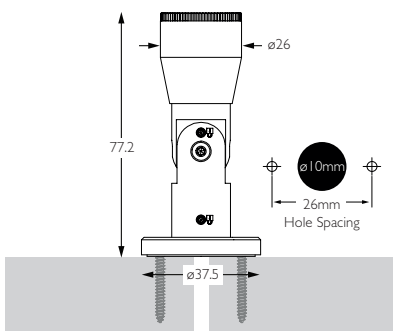
**SYSTEM POWER** 2.2W

**WEIGHT** 62g

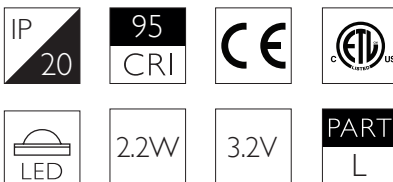
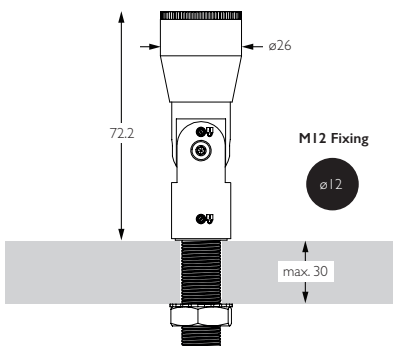
**FORWARD VOLTAGE** 3.2V MAX

**CURRENT** 700mA

### SURFACE MOUNT



### M12 MOUNT



## FINISHES

**FINISHES** Brushed Aluminium | Black | White | Custom\*

\* All custom finishes are built and finished to order. These are subject to an extended lead time and MOQ

## OPTICAL

**MODULE OUTPUT** 180lm\*\*

**ABSOLUTE OUTPUT** 168lm

**LOR** 93

**DRIVER** Constant Current

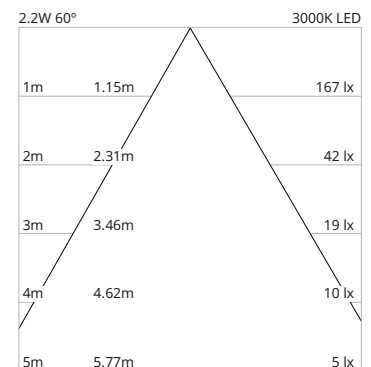
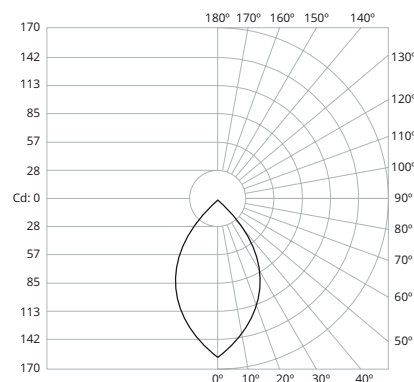
**COLOUR TEMPERATURE** 3000K\*\*

**CRI** 95 TYP

**TM-30** RF: 93 RG: 99

**BEAM ANGLE** 60°

\*\* Photometry shown is correct for 3000K module. Please enquire for 2700K module output.



Surface



M12

Finish	Surface Mount Part	M12 Mount Part
AL	MPN-798-AL-XX9560	M12-798-AL-XX9560
WH	MPN-798-WH-XX9560	M12-798-WH-XX9560
BK	MPN-798-BK-XX9560	M12-798-BK-XX9560

For 3000K Substitute XX with 30

For 2700K Substitute XX with 27