

DOMINO 2 RECESSED

NARROW SPOT



Category Interior use only IP20

Material Machined Aluminium

Finish Brushed Aluminium | Black | White | Custom

Cutout ø44 x 22mm

Ceiling Thickness 5-25mm

Minimum Ceiling Void 20mm above top of luminaire module

Accessories Lenses

System Power 4.4W

Module Output 356lm

Absolute Output 329lm

LOR 93%

Colour Temperature 3000K*

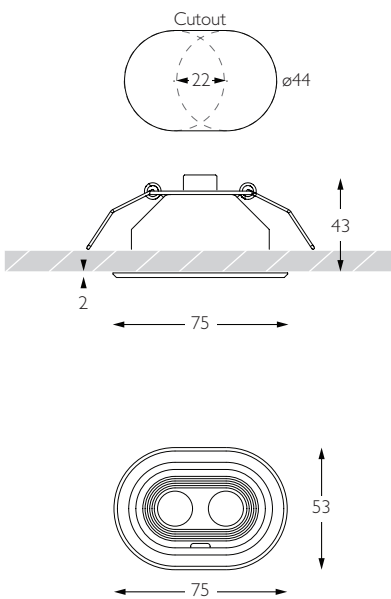
CRI Ra: 95 **TM-30** Rf: 93 Rg: 99

Optics 12°

Gear Type Dimmable options available

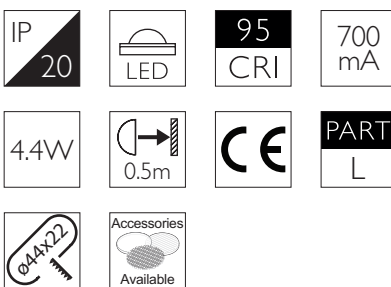
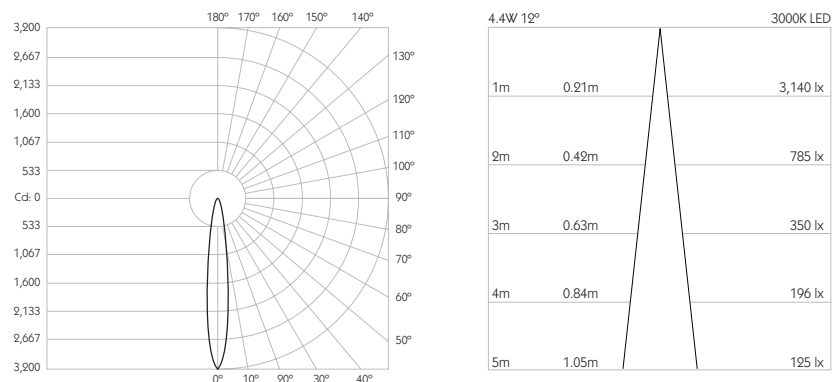
Weight 104g

* Please enquire as to the availability of non-standard colour temperatures.



Domino 2 Recessed is a 95CRI architectural luminaire. The minimal aesthetic, common across the Precision portfolio, ensures the luminaire blends into its architectural surroundings. The luminaire comes as standard in white, black and brushed aluminium finishes, and has five changeable optic for flexible distribution. The built-in, anti-reflective, magnetic accessory holder enables glare control and accommodates accessories up to 2mm thick. Domino 2 Recessed is machined from aerospace grade 6063-T6 aluminium, delivering a lumen package of 356lm at 4.4W.

Product Photometry independently tested in accordance with LM-79



TX-652-AL-309512

TX-652-BK-309512

TX-652-WH-309512



PRECISION
LIGHTING

SALES@PRECISIONLIGHTING.CO.UK
WWW.PRECISIONLIGHTING.CO.UK

42 RIVERSIDE ROAD
LONDON SW17 0BA
t. +44 (0) 20 8947 6616
f. +44 (0) 20 8286 6626

DOMINO 2 RECESSED

luminaires
spec sheet TX-652

FLOOD



Category Interior use only IP20

Material Machined Aluminium

Finish Brushed Aluminium | Black | White | Custom

Cutout ø44 x 22mm

Ceiling Thickness 5-25mm

Minimum Ceiling Void 20mm above top of luminaire module

Accessories Lenses

System Power 4.4W

Module Output 356lm

Absolute Output 301lm

LOR 84%

Colour Temperature 3000K*

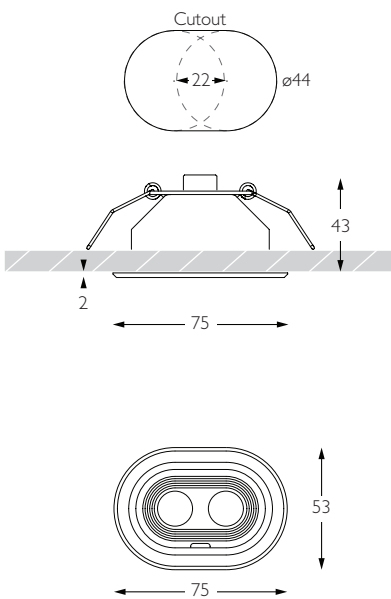
CRI Ra: 95 **TM-30** Rf: 93 Rg: 99

Optics 30°

Gear Type Dimmable options available

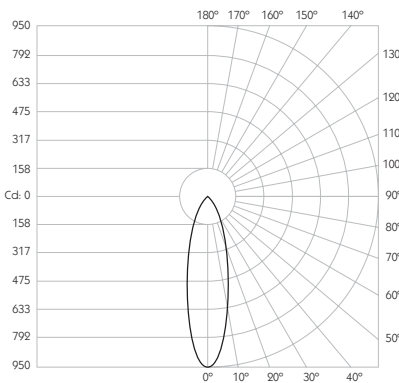
Weight 104g

* Please enquire as to the availability of non-standard colour temperatures.

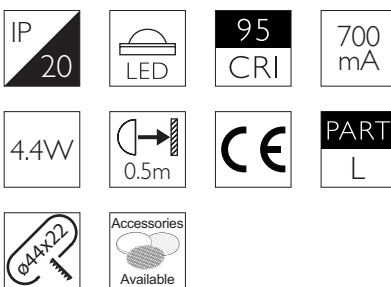


Domino 2 Recessed is a 95CRI architectural luminaire. The minimal aesthetic, common across the Precision portfolio, ensures the luminaire blends into its architectural surroundings. The luminaire comes as standard in white, black and brushed aluminium finishes, and has five changeable optic for flexible distribution. The built-in, anti-reflective, magnetic accessory holder enables glare control and accommodates accessories up to 2mm thick. Domino 2 Recessed is machined from aerospace grade 6063-T6 aluminium, delivering a lumen package of 356lm at 4.4W.

Product Photometry independently tested in accordance with LM-79



Distance (m)	Beam Diameter (m)	Footcandle (lx)
1m	0.54m	940 lx
2m	1.07m	235 lx
3m	1.61m	105 lx
4m	2.14m	59 lx
5m	2.68m	37 lx



Bezel

TX-652-AL-309530

TX-652-BK-309530

TX-652-WH-309530



PRECISION
LIGHTING

SALES@PRECISIONLIGHTING.CO.UK
WWW.PRECISIONLIGHTING.CO.UK

42 RIVERSIDE ROAD
LONDON SW17 0BA
t. +44 (0) 20 8947 6616
f. +44 (0) 20 8286 6626

DOMINO 2 RECESSED

luminaires
spec sheet TX-652

WIDE FLOOD



Category Interior use only IP20

Material Machined Aluminium

Finish Brushed Aluminium | Black | White | Custom

Cutout $\varnothing 44 \times 22\text{mm}$

Ceiling Thickness 5-25mm

Minimum Ceiling Void 20mm above top of luminaire module

Accessories Lenses

System Power 4.4W

Module Output 356lm

Absolute Output 327lm

LOR 92%

Colour Temperature 3000K*

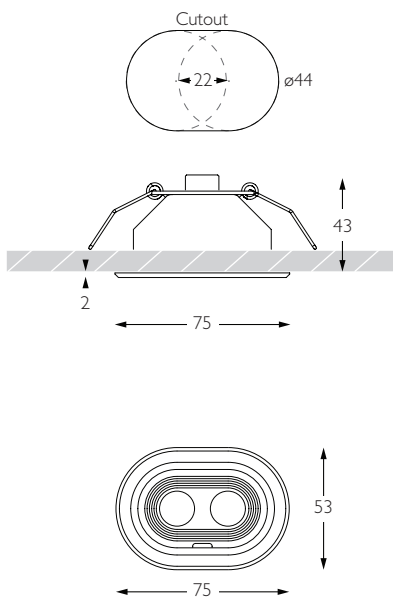
CRI Ra: 95 **TM-30** Rf: 93 Rg: 99

Optics 60°

Gear Type Dimmable options available

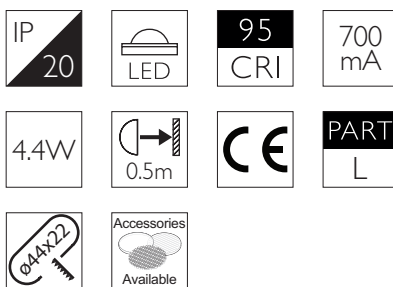
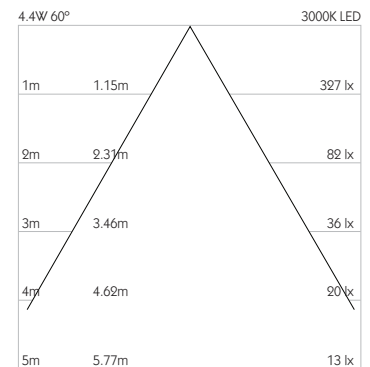
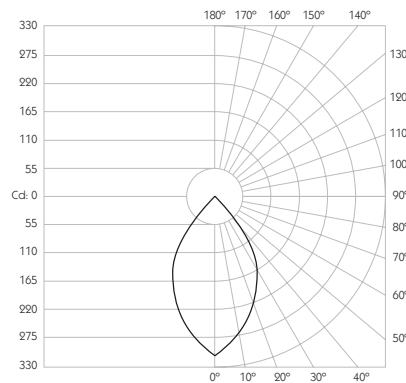
Weight 104g

* Please enquire as to the availability of non-standard colour temperatures.



Domino 2 Recessed is a 95CRI architectural luminaire. The minimal aesthetic, common across the Precision portfolio, ensures the luminaire blends into its architectural surroundings. The luminaire comes as standard in white, black and brushed aluminium finishes, and has five changeable optic for flexible distribution. The built-in, anti-reflective, magnetic accessory holder enables glare control and accommodates accessories up to 2mm thick. Domino 2 Recessed is machined from aerospace grade 6063-T6 aluminium, delivering a lumen package of 356lm at 4.4W.

Product Photometry independently tested in accordance with LM-79



Bezel

TX-652-AL-309560

TX-652-BK-309560

TX-652-WH-309560



PRECISION
LIGHTING

SALES@PRECISIONLIGHTING.CO.UK

WWW.PRECISIONLIGHTING.CO.UK

42 RIVERSIDE ROAD
LONDON SW17 0BA

t. +44 (0) 20 8947 6616
f. +44 (0) 20 8286 6626

ELLIPSE



Category Interior use only IP20

Material Machined Aluminium

Finish Brushed Aluminium | Black | White | Custom

Cutout $\varnothing 44 \times 22\text{mm}$

Ceiling Thickness 5-25mm

Minimum Ceiling Void 20mm above top of luminaire module

Accessories Lenses

System Power 4.4W

Module Output 356lm

Absolute Output 327lm

LOR 92%

Colour Temperature 3000K*

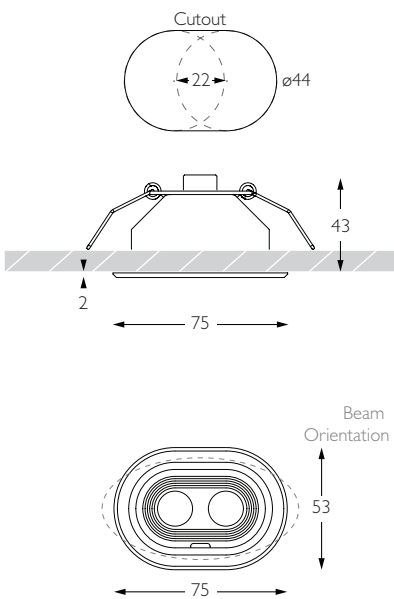
CRI Ra: 95 **TM-30** Rf: 93 Rg: 99

Optics 12X35°

Gear Type Dimmable options available

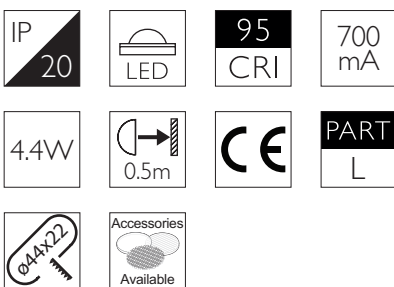
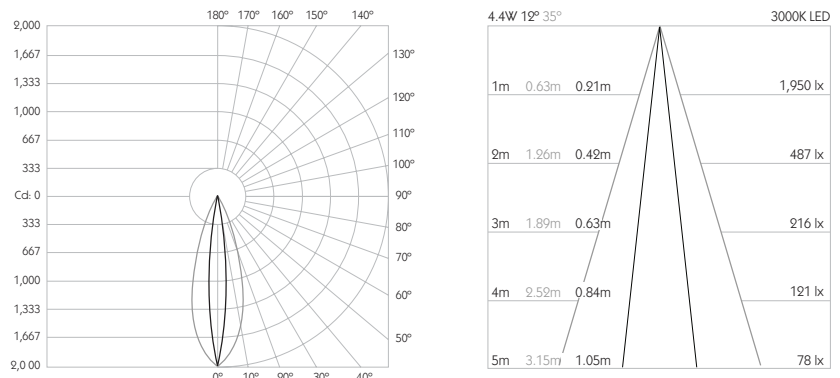
Weight 104g

* Please enquire as to the availability of non-standard colour temperatures.



Domino 2 Recessed is a 95CRI architectural luminaire. The minimal aesthetic, common across the Precision portfolio, ensures the luminaire blends into its architectural surroundings. The luminaire comes as standard in white, black and brushed aluminium finishes, and has five changeable optic for flexible distribution. The built-in, anti-reflective, magnetic accessory holder enables glare control and accommodates accessories up to 2mm thick. Domino 2 Recessed is machined from aerospace grade 6063-T6 aluminium, delivering a lumen package of 356lm at 4.4W.

Product Photometry independently tested in accordance with LM-79



TX-652-AL-3095E1

TX-652-BK-3095E1

TX-652-WH-3095E1



PRECISION
LIGHTING

SALES@PRECISIONLIGHTING.CO.UK
WWW.PRECISIONLIGHTING.CO.UK

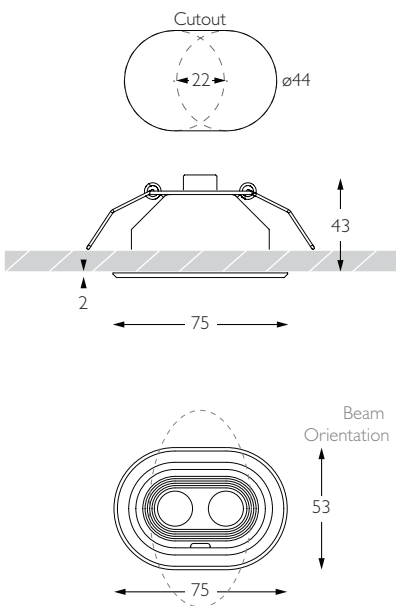
42 RIVERSIDE ROAD
LONDON SW17 0BA
t. +44 (0) 20 8947 6616
f. +44 (0) 20 8286 6626

VERTICAL ELLIPSE



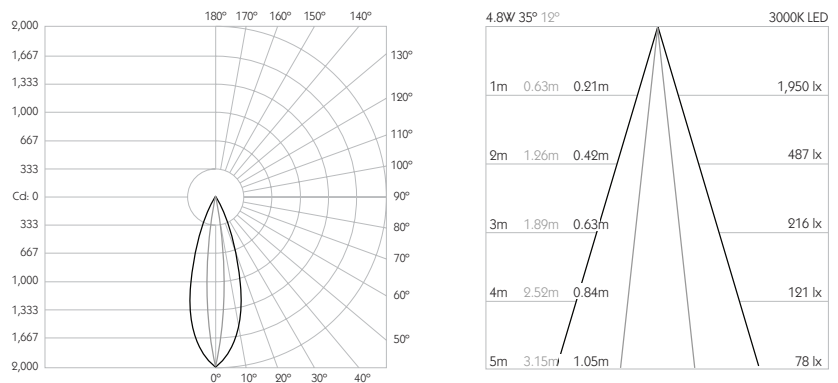
- Category** Interior use only IP20
- Material** Machined Aluminium
- Finish** Brushed Aluminium | Black | White | Custom
- Cutout** $\varnothing 44 \times 22\text{mm}$
- Ceiling Thickness** 5-25mm
- Minimum Ceiling Void** 20mm above top of luminaire module
- Accessories** Lenses
- System Power** 4.4W
- Module Output** 356lm
- Absolute Output** 327lm
- LOR** 92%
- Colour Temperature** 3000K*
- CRI** Ra: 95 **TM-30** Rf: 93 Rg: 99
- Optics** 35X12°
- Gear Type** Dimmable options available
- Weight** 104g

* Please enquire as to the availability of non-standard colour temperatures.



Domino 2 Recessed is a 95CRI architectural luminaire. The minimal aesthetic, common across the Precision portfolio, ensures the luminaire blends into its architectural surroundings. The luminaire comes as standard in white, black and brushed aluminium finishes, and has five changeable optic for flexible distribution. The built-in, anti-reflective, magnetic accessory holder enables glare control and accommodates accessories up to 2mm thick. Domino 2 Recessed is machined from aerospace grade 6063-T6 aluminium, delivering a lumen package of 356lm at 4.4W.

Product Photometry independently tested in accordance with LM-79



IP 20	LED	95 CRI	700 mA
4.4W	0.5m	CE	PART L
$\varnothing 44 \times 22$	Accessories Available		



TX-652-AL-3095E2

TX-652-BK-3095E2

TX-652-WH-3095E2

