

DOMINO 1 RECESSED TRIMLESS

Luminaire
spec sheet TS-651

NARROW SPOT



Category Interior use only IP20

Material Machined Aluminium

Cutout ø44mm

Ceiling Thickness 5-25mm

Minimum Ceiling Void 20mm above top of luminaire module

Accessories Lenses

System Power 2.2W

Module Output 178lm

Absolute Output 164lm

LOR 93%

Colour Temperature 3000K*

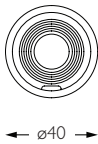
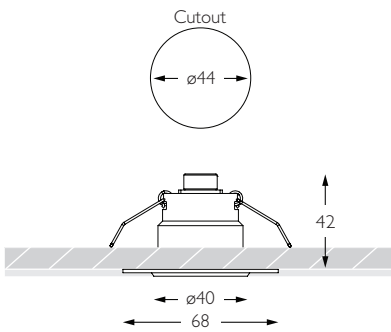
CRI Ra: 95 **TM-30** Rf: 93 Rg: 99

Optics 12°

Gear Type Dimmable options available

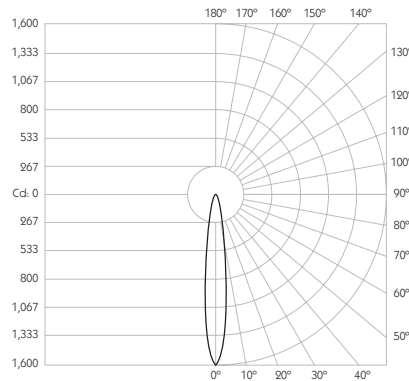
Weight 60g

* Please enquire as to the availability of non-standard colour temperatures.

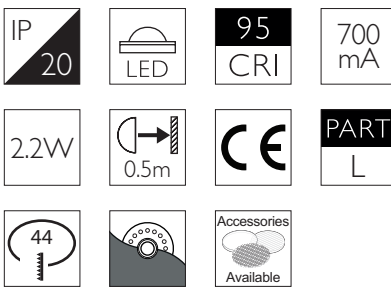


Domino 1 Recessed Trimless is a discreet 95CRI architectural luminaire. The minimal aesthetic, common across the Precision portfolio, ensures the luminaire blends into its architectural surroundings. The plaster-in luminaire has a passivated aluminium flange suitable for a 3mm plaster skim, and offers five changeable optics for flexible distribution. The built-in, anti-reflective, magnetic accessory holder enables glare control and accommodates accessories up to 2mm thick. Domino 1 Recessed Trimless is machined from aerospace grade 6063-T6 aluminium, delivering a lumen package of 178lm at 2.2W.

Product Photometry independently tested in accordance with LM-79

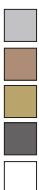


Distance (m)	Beam Diameter (m)	Illuminance (lx)
1m	0.21m	1,566 lx
2m	0.42m	392 lx
3m	0.63m	174 lx
4m	0.84m	98 lx
5m	1.05m	63 lx



Trimless

TS-651-AL-309512



PRECISION
LIGHTING

SALES@PRECISIONLIGHTING.CO.UK

WWW.PRECISIONLIGHTING.CO.UK

42 RIVERSIDE ROAD
LONDON SW17 0BA

t. +44 (0) 20 8947 6616
f. +44 (0) 20 8286 6626

DOMINO 1 RECESSED TRIMLESS

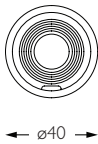
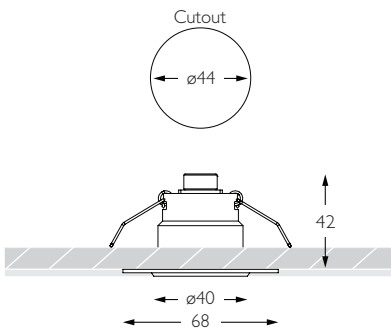
Luminaire
spec sheet TS-651

FLOOD



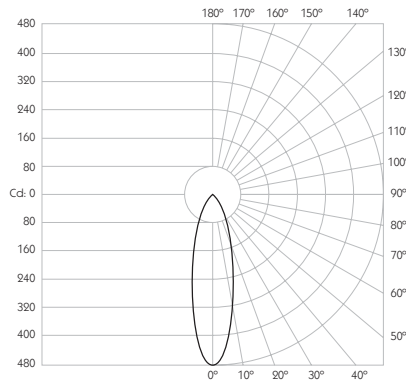
- Category** Interior use only IP20
- Material** Machined Aluminium
- Cutout** ø44mm
- Ceiling Thickness** 5-25mm
- Minimum Ceiling Void** 20mm above top of luminaire module
- Accessories** Lenses
- System Power** 2.2W
- Module Output** 178lm
- Absolute Output** 150lm
- LOR** 84%
- Colour Temperature** 3000K*
- CRI** Ra: 95 **TM-30** Rf: 93 Rg: 99
- Optics** 30°
- Gear Type** Dimmable options available
- Weight** 60g

* Please enquire as to the availability of non-standard colour temperatures.



Domino 1 Recessed Trimless is a discreet 95CRI architectural luminaire. The minimal aesthetic, common across the Precision portfolio, ensures the luminaire blends into its architectural surroundings. The plaster-in luminaire has a passivated aluminium flange suitable for a 3mm plaster skim, and offers five changeable optics for flexible distribution. The built-in, anti-reflective, magnetic accessory holder enables glare control and accommodates accessories up to 2mm thick. Domino 1 Recessed Trimless is machined from aerospace grade 6063-T6 aluminium, delivering a lumen package of 178lm at 2.2W.

Product Photometry independently tested in accordance with LM-79



Height	Beam Spread	Illuminance (lx)
1m	0.54m	470 lx
2m	1.07m	118 lx
3m	1.61m	52 lx
4m	2.14m	29 lx
5m	2.68m	19 lx



Trimless

TS-651-AL-309530



PRECISION
LIGHTING

SALES@PRECISIONLIGHTING.CO.UK
WWW.PRECISIONLIGHTING.CO.UK

42 RIVERSIDE ROAD
LONDON SW17 0BA
t. +44 (0) 20 8947 6616
f. +44 (0) 20 8286 6626

DOMINO 1 RECESSED TRIMLESS

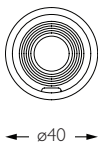
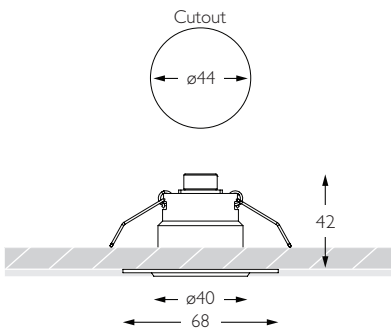
Luminaires
spec sheet TS-651

WIDE FLOOD



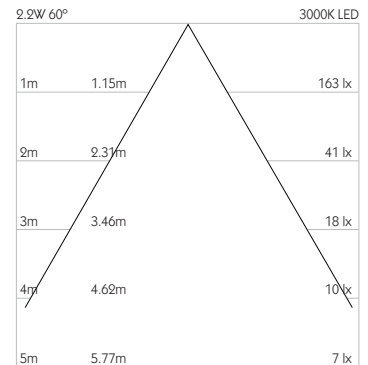
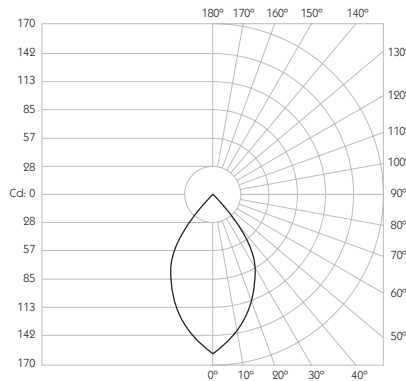
- Category** Interior use only IP20
- Material** Machined Aluminium
- Cutout** ø44mm
- Ceiling Thickness** 5-25mm
- Minimum Ceiling Void** 20mm above top of luminaire module
- Accessories** Lenses
- System Power** 2.2W
- Module Output** 178lm
- Absolute Output** 163lm
- LOR** 92%
- Colour Temperature** 3000K*
- CRI** Ra: 95 **TM-30** Rf: 93 Rg: 99
- Optics** 60°
- Gear Type** Dimmable options available
- Weight** 60g

* Please enquire as to the availability of non-standard colour temperatures.



Domino 1 Recessed Trimless is a discreet 95CRI architectural luminaire. The minimal aesthetic, common across the Precision portfolio, ensures the luminaire blends into its architectural surroundings. The plaster-in luminaire has a passivated aluminium flange suitable for a 3mm plaster skim, and offers five changeable optics for flexible distribution. The built-in, anti-reflective, magnetic accessory holder enables glare control and accommodates accessories up to 2mm thick. Domino 1 Recessed Trimless is machined from aerospace grade 6063-T6 aluminium, delivering a lumen package of 178lm at 2.2W.

Product Photometry independently tested in accordance with LM-79



IP 20	LED	95 CRI	700 mA
2.2W	0.5m	CE	PART L
44	Accessories Available		



Trimless

TS-651-AL-309550



PRECISION
LIGHTING

SALES@PRECISIONLIGHTING.CO.UK
WWW.PRECISIONLIGHTING.CO.UK

42 RIVERSIDE ROAD
LONDON SW17 0BA
t. +44 (0) 20 8947 6616
f. +44 (0) 20 8286 6626

DOMINO 1 RECESSED TRIMLESS

Luminaire
spec sheet TS-651

ELLIPSE



Category Interior use only IP20

Material Machined Aluminium

Cutout ø44mm

Ceiling Thickness 5-25mm

Minimum Ceiling Void 20mm above top of luminaire module

Accessories Lenses

System Power 2.2W

Module Output 178lm

Absolute Output 163lm

LOR 92%

Colour Temperature 3000K*

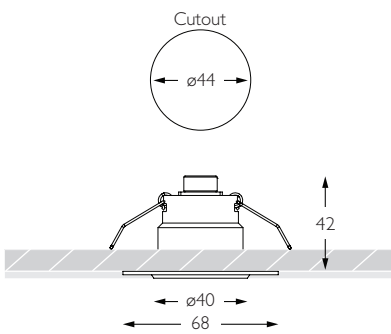
CRI Ra: 95 **TM-30** Rf: 93 Rg: 99

Optics 12X35°

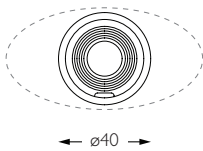
Gear Type Dimmable options available

Weight 60g

* Please enquire as to the availability of non-standard colour temperatures.

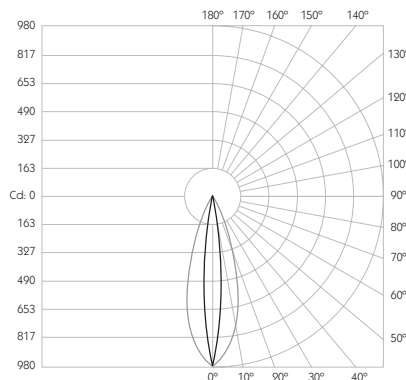


Beam
Orientation

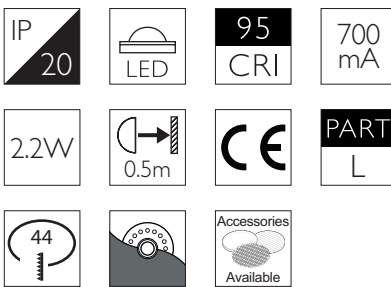


Domino 1 Recessed Trimless is a discreet 95CRI architectural luminaire. The minimal aesthetic, common across the Precision portfolio, ensures the luminaire blends into its architectural surroundings. The plaster-in luminaire has a passivated aluminium flange suitable for a 3mm plaster skim, and offers five changeable optics for flexible distribution. The built-in, anti-reflective, magnetic accessory holder enables glare control and accommodates accessories up to 2mm thick. Domino 1 Recessed Trimless is machined from aerospace grade 6063-T6 aluminium, delivering a lumen package of 178lm at 2.2W.

Product Photometry independently tested in accordance with LM-79

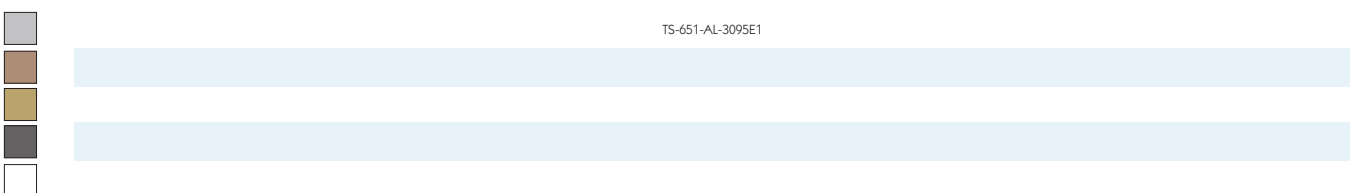


Distance (m)	Beam Width (m)	Beam Depth (m)	Footcandle (lx)
1m	0.63m	0.21m	972 lx
2m	1.26m	0.42m	243 lx
3m	1.89m	0.63m	108 lx
4m	2.52m	0.84m	60 lx
5m	3.15m	1.05m	39 lx



Trimless

TS-651-AL-3095E1



PRECISION
LIGHTING

SALES@PRECISIONLIGHTING.CO.UK

WWW.PRECISIONLIGHTING.CO.UK

42 RIVERSIDE ROAD
LONDON SW17 0BA

t. +44 (0) 20 8947 6616
f. +44 (0) 20 8286 6626

Version 10.15

DOMINO 1 RECESSED TRIMLESS

Luminaire
spec sheet TS-651

VERTICAL ELLIPSE



Category Interior use only IP20

Material Machined Aluminium

Cutout ø44mm

Ceiling Thickness 5-25mm

Minimum Ceiling Void 20mm above top of luminaire module

Accessories Lenses

System Power 2.2W

Module Output 178lm

Absolute Output 163lm

LOR 92%

Colour Temperature 3000K*

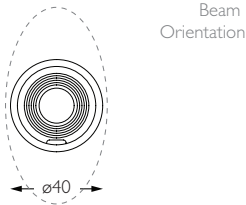
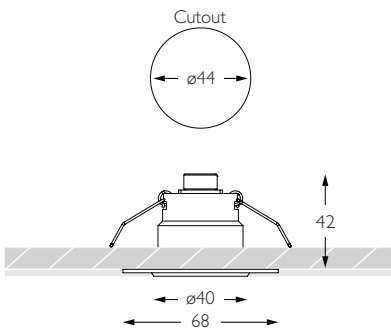
CRI Ra: 95 **TM-30** Rf: 93 Rg: 99

Optics 35X12°

Gear Type Dimmable options available

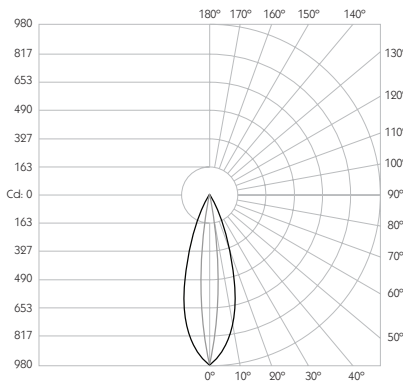
Weight 60g

* Please enquire as to the availability of non-standard colour temperatures.

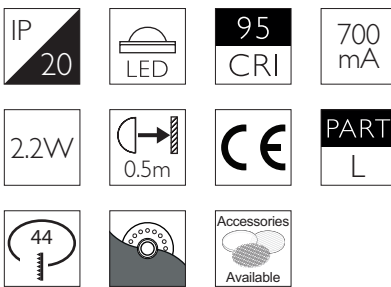


Domino 1 Recessed Trimless is a discreet 95CRI architectural luminaire. The minimal aesthetic, common across the Precision portfolio, ensures the luminaire blends into its architectural surroundings. The plaster-in luminaire has a passivated aluminium flange suitable for a 3mm plaster skim, and offers five changeable optics for flexible distribution. The built-in, anti-reflective, magnetic accessory holder enables glare control and accommodates accessories up to 2mm thick. Domino 1 Recessed Trimless is machined from aerospace grade 6063-T6 aluminium, delivering a lumen package of 178lm at 2.2W.

Product Photometry independently tested in accordance with LM-79



Distance (m)	Beam Width (m)	Beam Height (m)	Illuminance (lx)
1m	0.63m	0.21m	972 lx
2m	1.26m	0.42m	243 lx
3m	1.89m	0.63m	108 lx
4m	2.52m	0.84m	60 lx
5m	3.15m	1.05m	39 lx



Trimless

TS-651-AL-3095E2



PRECISION
LIGHTING

SALES@PRECISIONLIGHTING.CO.UK

WWW.PRECISIONLIGHTING.CO.UK

42 RIVERSIDE ROAD
LONDON SW17 0BA

t. +44 (0) 20 8947 6616
f. +44 (0) 20 8286 6626

Version 10.15