

DOMINO 2 RECESSED TRIMLESS

Luminaires
spec sheet TS-652

NARROW SPOT



Category Interior use only IP20

Material Machined Aluminium

Cutout ø44 x 22mm

Ceiling Thickness 5-25mm

Minimum Ceiling Void 20mm above top of luminaire module

Accessories Lenses

System Power 4.4W

Module Output 356lm

Absolute Output 329lm

LOR 93%

Colour Temperature 3000K*

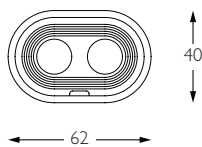
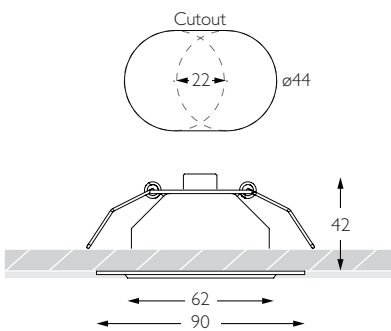
CRI Ra: 95 **TM-30** Rf: 93 Rg: 99

Optics 12°

Gear Type Dimmable options available

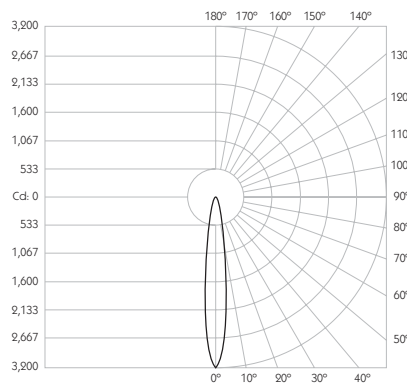
Weight 107g

* Please enquire as to the availability of non-standard colour temperatures.

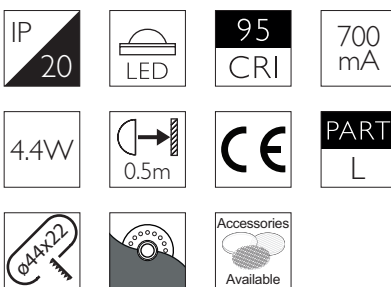


Domino 2 Recessed Trimless is a recessed 95CRI architectural luminaire. The minimal aesthetic, common across the Precision portfolio, ensures the luminaire blends into its architectural surroundings. The plaster-in luminaire has a passivated aluminium flange suitable for a 3mm plaster skim, and offers five changeable optics for flexible distribution. The built-in, anti-reflective, magnetic accessory holder enables glare control and accommodates accessories up to 2mm thick. Domino 2 Recessed Trimless is machined from aerospace grade 6063-T6 aluminium, delivering a lumen package of 356lm at 4.4W.

Product Photometry independently tested in accordance with LM-79

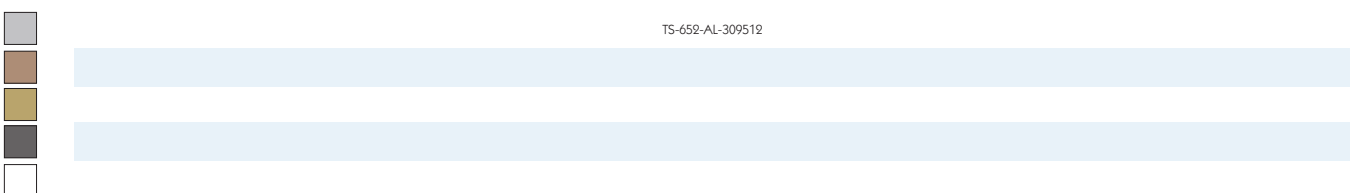


Distance (m)	Beam Diameter (m)	Footcandle (lx)
1m	0.21m	3,140 lx
2m	0.42m	785 lx
3m	0.63m	350 lx
4m	0.84m	196 lx
5m	1.05m	125 lx



Trimless

TS-652-AL-309512



PRECISION
LIGHTING

SALES@PRECISIONLIGHTING.CO.UK
WWW.PRECISIONLIGHTING.CO.UK

42 RIVERSIDE ROAD
LONDON SW17 0BA
t. +44 (0) 20 8947 6616
f. +44 (0) 20 8286 6626

DOMINO 2 RECESSED TRIMLESS

Luminaires
spec sheet TS-652

FLOOD



Category Interior use only IP20

Material Machined Aluminium

Cutout ø44 x 22mm

Ceiling Thickness 5-25mm

Minimum Ceiling Void 20mm above top of luminaire module

Accessories Lenses

System Power 4.4W

Module Output 356lm

Absolute Output 301lm

LOR 84%

Colour Temperature 3000K*

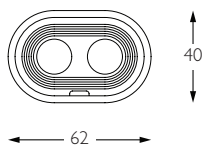
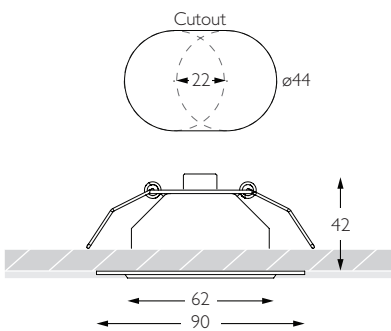
CRI Ra: 95 **TM-30** Rf: 93 Rg: 99

Optics 30°

Gear Type Dimmable options available

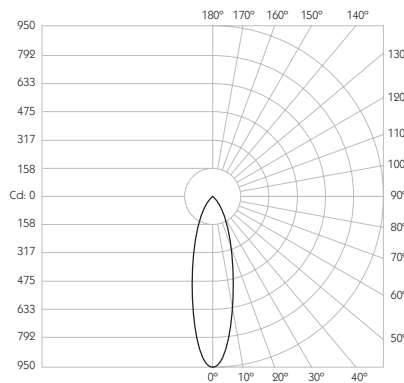
Weight 107g

* Please enquire as to the availability of non-standard colour temperatures.



Domino 2 Recessed Trimless is a recessed 95CRI architectural luminaire. The minimal aesthetic, common across the Precision portfolio, ensures the luminaire blends into its architectural surroundings. The plaster-in luminaire has a passivated aluminium flange suitable for a 3mm plaster skim, and offers five changeable optics for flexible distribution. The built-in, anti-reflective, magnetic accessory holder enables glare control and accommodates accessories up to 2mm thick. Domino 2 Recessed Trimless is machined from aerospace grade 6063-T6 aluminium, delivering a lumen package of 356lm at 4.4W.

Product Photometry independently tested in accordance with LM-79



Distance (m)	Beam Diameter (m)	Footcandle (lx)
1m	0.54m	940 lx
2m	1.07m	235 lx
3m	1.61m	105 lx
4m	2.14m	59 lx
5m	2.68m	37 lx

-
-
-
-
-
-
-
-
-
-



Trimless

TS-652-AL-309530



PRECISION
LIGHTING

SALES@PRECISIONLIGHTING.CO.UK
WWW.PRECISIONLIGHTING.CO.UK

42 RIVERSIDE ROAD
LONDON SW17 0BA
t. +44 (0) 20 8947 6616
f. +44 (0) 20 8286 6626

DOMINO 2 RECESSED TRIMLESS

Luminaires
spec sheet TS-652

WIDE FLOOD



Category Interior use only IP20

Material Machined Aluminium

Cutout ø44 x 22mm

Ceiling Thickness 5-25mm

Minimum Ceiling Void 20mm above top of luminaire module

Accessories Lenses

System Power 4.4W

Module Output 356lm

Absolute Output 327lm

LOR 92%

Colour Temperature 3000K*

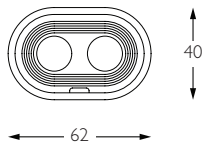
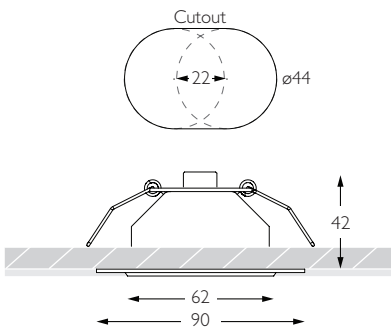
CRI Ra: 95 **TM-30** Rf: 93 Rg: 99

Optics 60°

Gear Type Dimmable options available

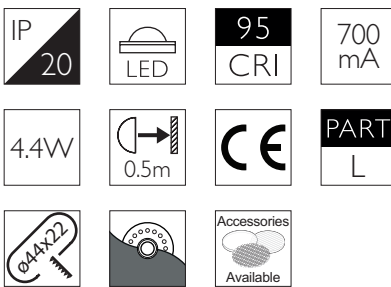
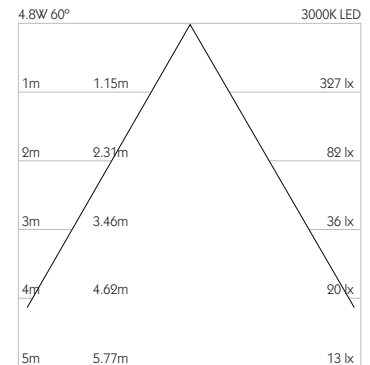
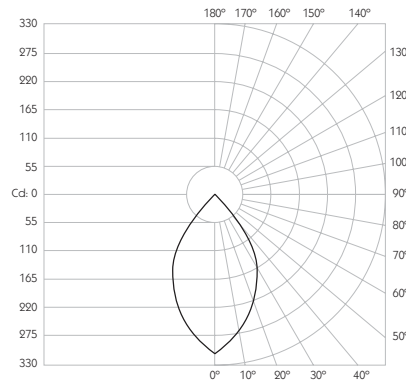
Weight 107g

* Please enquire as to the availability of non-standard colour temperatures.



Domino 2 Recessed Trimless is a recessed 95CRI architectural luminaire. The minimal aesthetic, common across the Precision portfolio, ensures the luminaire blends into its architectural surroundings. The plaster-in luminaire has a passivated aluminium flange suitable for a 3mm plaster skim, and offers five changeable optics for flexible distribution. The built-in, anti-reflective, magnetic accessory holder enables glare control and accommodates accessories up to 2mm thick. Domino 2 Recessed Trimless is machined from aerospace grade 6063-T6 aluminium, delivering a lumen package of 356lm at 4.4W.

Product Photometry independently tested in accordance with LM-79



Trimless

TS-652-AL-309560



PRECISION
LIGHTING

SALES@PRECISIONLIGHTING.CO.UK

WWW.PRECISIONLIGHTING.CO.UK

42 RIVERSIDE ROAD
LONDON SW17 0BA

t. +44 (0) 20 8947 6616
f. +44 (0) 20 8286 6626

DOMINO 2 RECESSED TRIMLESS

Luminaires
spec sheet TS-652

ELLIPSE



Category Interior use only IP20

Material Machined Aluminium

Cutout $\varnothing 44 \times 22$ mm

Ceiling Thickness 5-25mm

Minimum Ceiling Void 20mm above top of luminaire module

Accessories Lenses

System Power 4.4W

Module Output 356lm

Absolute Output 327lm

LOR 92%

Colour Temperature 3000K*

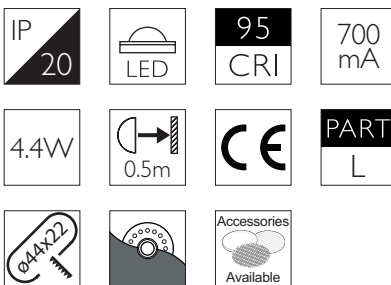
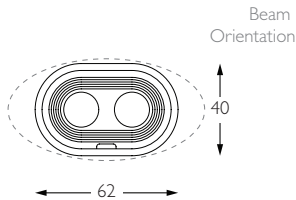
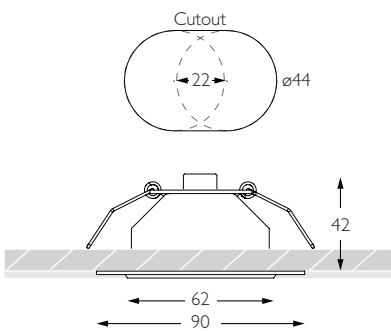
CRI Ra: 95 **TM-30** Rf: 93 Rg: 99

Optics 12X35°

Gear Type Dimmable options available

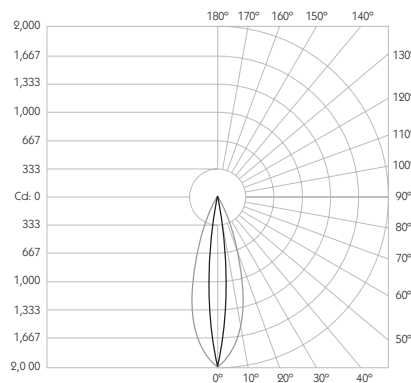
Weight 107g

* Please enquire as to the availability of non-standard colour temperatures.



Domino 2 Recessed Trimless is a recessed 95CRI architectural luminaire. The minimal aesthetic, common across the Precision portfolio, ensures the luminaire blends into its architectural surroundings. The plaster-in luminaire has a passivated aluminium flange suitable for a 3mm plaster skim, and offers five changeable optics for flexible distribution. The built-in, anti-reflective, magnetic accessory holder enables glare control and accommodates accessories up to 2mm thick. Domino 2 Recessed Trimless is machined from aerospace grade 6063-T6 aluminium, delivering a lumen package of 356lm at 4.4W.

Product Photometry independently tested in accordance with LM-79



Distance (m)	Beam Width (m)	Beam Height (m)	Footcandle (lx)
1m	0.63m	0.21m	1,950 lx
2m	1.26m	0.42m	487 lx
3m	1.89m	0.63m	216 lx
4m	2.52m	0.84m	121 lx
5m	3.15m	1.05m	78 lx



Trimless

TS-652-AL-3095E1



PRECISION
LIGHTING

SALES@PRECISIONLIGHTING.CO.UK

WWW.PRECISIONLIGHTING.CO.UK

42 RIVERSIDE ROAD
LONDON SW17 0BA

t. +44 (0) 20 8947 6616
f. +44 (0) 20 8286 6626

Version 10.15

DOMINO 2 RECESSED TRIMLESS

Luminaires
spec sheet TS-652

VERTICAL ELLIPSE



Category Interior use only IP20

Material Machined Aluminium

Cutout $\varnothing 44 \times 22$ mm

Ceiling Thickness 5-25mm

Minimum Ceiling Void 20mm above top of luminaire module

Accessories Lenses

System Power 4.4W

Module Output 356lm

Absolute Output 327lm

LOR 92%

Colour Temperature 3000K*

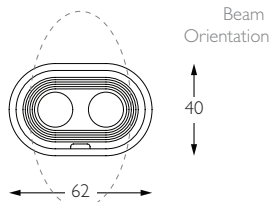
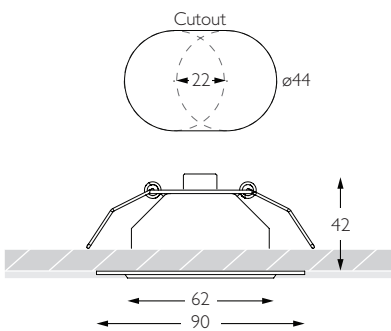
CRI Ra: 95 **TM-30** Rf: 93 Rg: 99

Optics 35X12°

Gear Type Dimmable options available

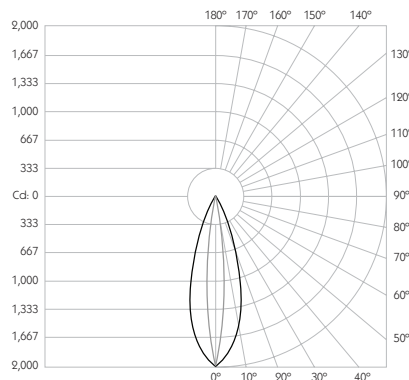
Weight 107g

* Please enquire as to the availability of non-standard colour temperatures.

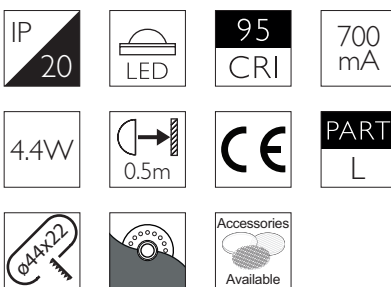


Domino 2 Recessed Trimless is a recessed 95CRI architectural luminaire. The minimal aesthetic, common across the Precision portfolio, ensures the luminaire blends into its architectural surroundings. The plaster-in luminaire has a passivated aluminium flange suitable for a 3mm plaster skim, and offers five changeable optics for flexible distribution. The built-in, anti-reflective, magnetic accessory holder enables glare control and accommodates accessories up to 2mm thick. Domino 2 Recessed Trimless is machined from aerospace grade 6063-T6 aluminium, delivering a lumen package of 356lm at 4.4W.

Product Photometry independently tested in accordance with LM-79

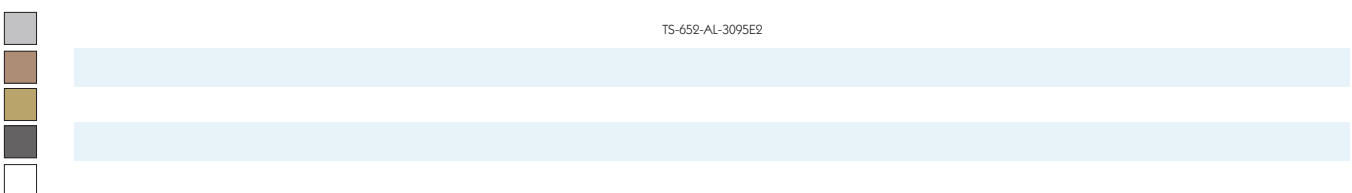


Distance (m)	Beam Diameter (m)	Beam Width (m)	Footcandle (lx)
1m	0.63m	0.21m	1,950 lx
2m	1.26m	0.42m	487 lx
3m	1.89m	0.63m	216 lx
4m	2.52m	0.84m	121 lx
5m	3.15m	1.05m	78 lx



Trimless

TS-652-AL-3095E2



PRECISION
LIGHTING

SALES@PRECISIONLIGHTING.CO.UK
WWW.PRECISIONLIGHTING.CO.UK

42 RIVERSIDE ROAD
LONDON SW17 0BA
t. +44 (0) 20 8947 6616
f. +44 (0) 20 8286 6626