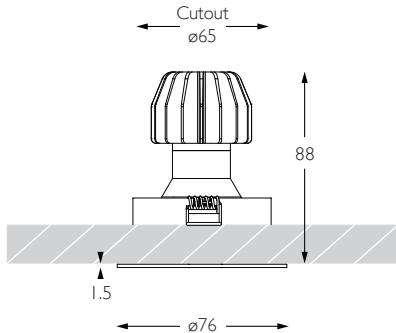


ULTRA NARROW SPOT | FLAT BEZEL

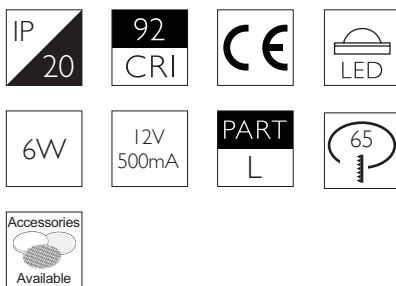


Glare Diagram



Cut Off: 36°

Glare Comfort Cut Off: 80°



Technical Description

Minimo 11 Fixed is a recessed LED luminaire providing high performance accent lighting from a compact source with minimal glare. Minimo 11 is perfect for use in colour-critical applications with 92CRI delivered from a single source LED module and available in two colour temperatures as standard. Tool-less, site changeable beam angles allow flexibility in varying environments. Machined from aerospace grade 6063-T6 aluminium or brass, Minimo 11 Fixed features a flat bezel with a choice of six finishes and an interchangeable chamfered aperture available in three finishes for complete aesthetic integration. Minimo 11 Fixed delivers a lumen package of 513lm at 6W.

Mechanical

Category Interior use only IP20

Material Machined Aluminium | Brass

Configuration Flat | Chamfered Aperture

Cutout \varnothing 65mm

Ceiling Thickness 3 - 25mm

Ceiling Void 20mm above module

Weight AL BK WH - 223g | RB PB CH - 245g

Finishes

Bezel Finishes Aluminium | Black | White | Rubbed Bronze | Polished Brass | Chrome | *

Aperture Finishes Black | White | Satin Brass | *

* Please enquire as to the availability of non-standard Finishes

Optical

System Power 6W

Module Output 513lm**

Absolute Output 506lm**

LOR 99%

Glare Cut Off 36°

Glare Comfort Cut Off 80°

** Photometry shown is correct for 3000K module. Please enquire for 2700K module output.

Colour Temperature 2700K | 3000K

CRI 92 Typ

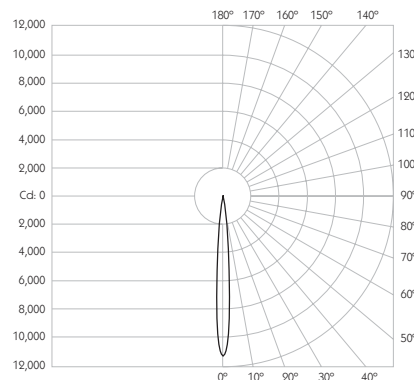
TM-30 Rf: 90 Rg: 99

Beam Angle 9°

Gear Type Dimmable Options Available

Gear Location Remote

Product Photometry independently tested in accordance with LM-79



Distance	Beam Diameter	Illuminance (lx)
1m	0.16m	11,214 lx
2m	0.31m	2,804 lx
3m	0.47m	1,246 lx
4m	0.63m	701 lx
5m	0.79m	449 lx

Luminaire Code

Bezel Finish

Aperture Finish

CCT

CRI

Beam Angle

RCD-605

AL	Brushed Aluminium
WH	White
BK	Black
RB	Rubbed Bronze
PB	Polished Brass
CH	Polished Chrome

BK	Black
WH	White
SB	Satin Brass

27	2700K
30	3000K

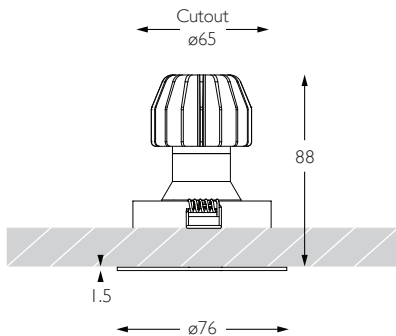
92 92 CRI

09 9° Ultra Narrow Spot

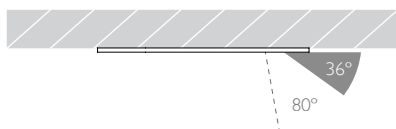
RCD-605

92

09

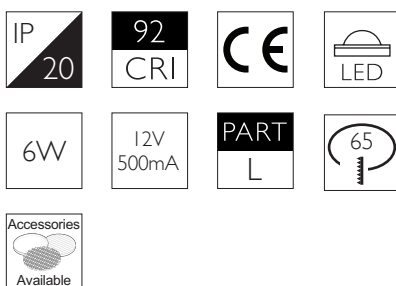


Glare Diagram



Cut Off: 36°

Glare Comfort Cut Off: 80°



Technical Description

Minimo 11 Fixed is a recessed LED luminaire providing high performance accent lighting from a compact source with minimal glare. Minimo 11 is perfect for use in colour-critical applications with 92CRI delivered from a single source LED module and available in two colour temperatures as standard. Tool-less, site changeable beam angles allow flexibility in varying environments. Machined from aerospace grade 6063-T6 aluminium or brass, Minimo 11 Fixed features a flat bezel with a choice of six finishes and an interchangeable chamfered aperture available in three finishes for complete aesthetic integration. Minimo 11 Fixed delivers a lumen package of 513lm at 6W.

Mechanical

Category Interior use only IP20

Material Machined Aluminium | Brass

Configuration Flat | Chamfered Aperture

Cutout \varnothing 65mm

Ceiling Thickness 3 - 25mm

Ceiling Void 20mm above module

Weight AL BK WH - 223g | RB PB CH - 245g

Finishes

Bezel Finishes Aluminium | Black | White | Rubbed Bronze | Polished Brass | Chrome | *

Aperture Finishes Black | White | Satin Brass | *

* Please enquire as to the availability of non-standard Finishes

Optical

System Power 6W

Module Output 513lm**

Absolute Output 504lm**

LOR 98%

Glare Cut Off 36°

Glare Comfort Cut Off 80°

** Photometry shown is correct for 3000K module. Please enquire for 2700K module output.

Colour Temperature 2700K | 3000K

CRI 92 Typ

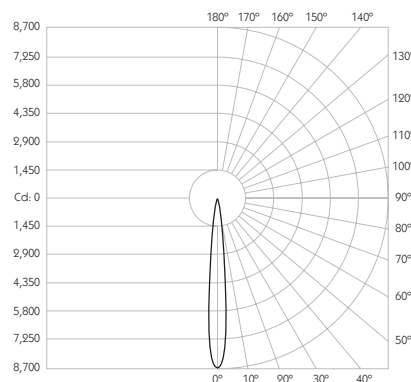
TM-30 Rf: 90 Rg: 99

Beam Angle 11°

Gear Type Dimmable Options Available

Gear Location Remote

Product Photometry independently tested in accordance with LM-79



Distance	Beam Diameter	Illuminance (lx)
1m	0.19m	8,614 lx
2m	0.39m	2,154 lx
3m	0.58m	957 lx
4m	0.77m	538 lx
5m	0.96m	345 lx

Luminaire Code

Bezel Finish

Aperture Finish

CCT

CRI

Beam Angle

RCD-605

AL	Brushed Aluminium
WH	White
BK	Black
RB	Rubbed Bronze
PB	Polished Brass
CH	Polished Chrome

BK	Black
WH	White
SB	Satin Brass

27	2700K
30	3000K

92 92 CRI

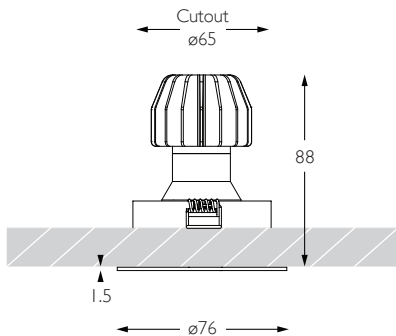
11 11° Narrow Spot

RCD-605

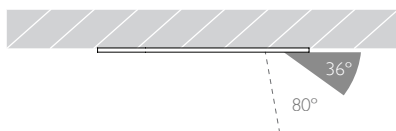
92

11

SPOT | FLAT BEZEL

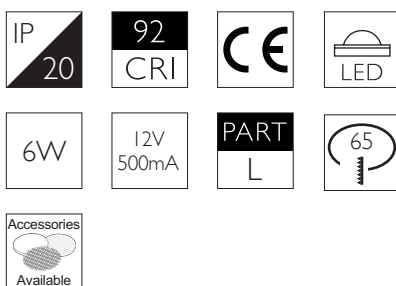


Glare Diagram



Cut Off: 36°

Glare Comfort Cut Off: 80°



Technical Description

Minimo 11 Fixed is a recessed LED luminaire providing high performance accent lighting from a compact source with minimal glare. Minimo 11 is perfect for use in colour-critical applications with 92CRI delivered from a single source LED module and available in two colour temperatures as standard. Tool-less, site changeable beam angles allow flexibility in varying environments. Machined from aerospace grade 6063-T6 aluminium or brass, Minimo 11 Fixed features a flat bezel with a choice of six finishes and an interchangeable chamfered aperture available in three finishes for complete aesthetic integration. Minimo 11 Fixed delivers a lumen package of 513lm at 6W.

Mechanical

Category Interior use only IP20

Material Machined Aluminium | Brass

Configuration Flat | Chamfered Aperture

Cutout \varnothing 65mm

Ceiling Thickness 3 - 25mm

Ceiling Void 20mm above module

Weight AL BK WH - 223g | RB PB CH - 245g

Finishes

Bezel Finishes Aluminium | Black | White | Rubbed Bronze | Polished Brass | Chrome | *

Aperture Finishes Black | White | Satin Brass | *

* Please enquire as to the availability of non-standard Finishes

Optical

System Power 6W

Module Output 513lm**

Absolute Output 506lm**

LOR 99%

Glare Cut Off 36°

Glare Comfort Cut Off 80°

** Photometry shown is correct for 3000K module. Please enquire for 2700K module output.

Colour Temperature 2700K | 3000K

CRI 92 Typ

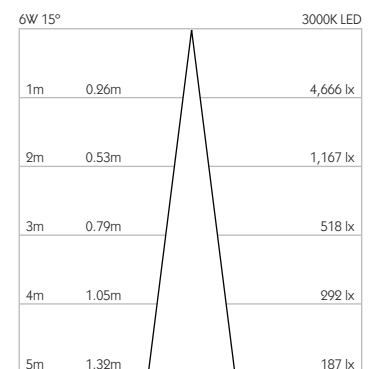
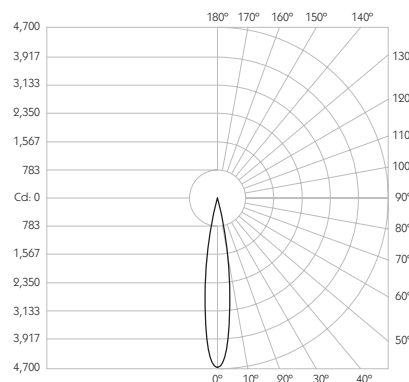
TM-30 Rf: 90 Rg: 99

Beam Angle 15°

Gear Type Dimmable Options Available

Gear Location Remote

Product Photometry independently tested in accordance with LM-79



Luminaire Code

Bezel Finish

Aperture Finish

CCT

CRI

Beam Angle

RCD-605

AL	Brushed Aluminium
WH	White
BK	Black
RB	Rubbed Bronze
PB	Polished Brass
CH	Polished Chrome

BK	Black
WH	White
SB	Satin Brass

27	2700K
30	3000K

92	92 CRI
----	--------

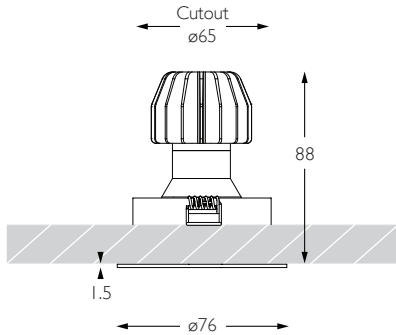
15	15° Spot
----	----------

RCD-605

92

15

FLOOD | FLAT BEZEL

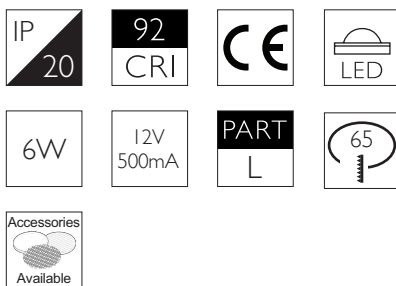


Glare Diagram



Cut Off: 36°

Glare Comfort Cut Off: 80°



Technical Description

Minimo 11 Fixed is a recessed LED luminaire providing high performance accent lighting from a compact source with minimal glare. Minimo 11 is perfect for use in colour-critical applications with 92CRI delivered from a single source LED module and available in two colour temperatures as standard. Tool-less, site changeable beam angles allow flexibility in varying environments. Machined from aerospace grade 6063-T6 aluminium or brass, Minimo 11 Fixed features a flat bezel with a choice of six finishes and an interchangeable chamfered aperture available in three finishes for complete aesthetic integration. Minimo 11 Fixed delivers a lumen package of 513lm at 6W.

Mechanical

Category Interior use only IP20

Material Machined Aluminium | Brass

Configuration Flat | Chamfered Aperture

Cutout \varnothing 65mm

Ceiling Thickness 3 - 25mm

Ceiling Void 20mm above module

Weight AL BK WH - 223g | RB PB CH - 245g

Finishes

Bezel Finishes Aluminium | Black | White | Rubbed Bronze | Polished Brass | Chrome | *

Aperture Finishes Black | White | Satin Brass | *

* Please enquire as to the availability of non-standard Finishes

Optical

System Power 6W

Module Output 513lm**

Absolute Output 439lm**

LOR 86%

Glare Cut Off 36°

Glare Comfort Cut Off 80°

** Photometry shown is correct for 3000K module. Please enquire for 2700K module output.

Colour Temperature 2700K | 3000K

CRI 92 Typ

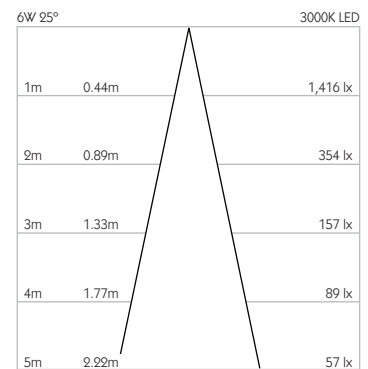
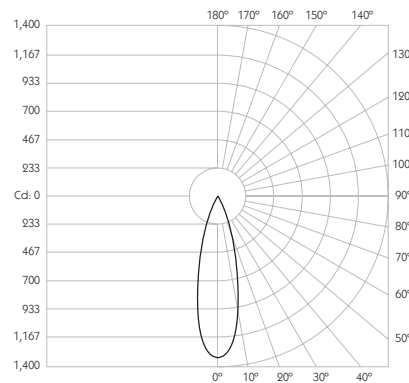
TM-30 Rf: 90 Rg: 99

Beam Angle 25°

Gear Type Dimmable Options Available

Gear Location Remote

Product Photometry independently tested in accordance with LM-79



Luminaire Code

RCD-605

Bezel Finish

AL	Brushed Aluminium
WH	White
BK	Black
RB	Rubbed Bronze
PB	Polished Brass
CH	Polished Chrome

Aperture Finish

BK	Black
WH	White
SB	Satin Brass

CCT

27	2700K
30	3000K

CRI

92

92 CRI

Beam Angle

25

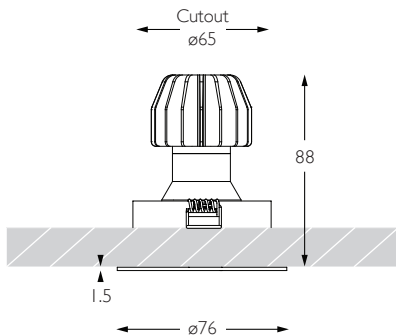
25° Flood

RCD-605

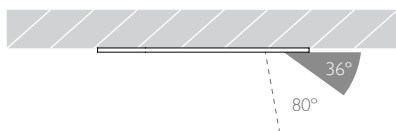
92

25

WIDE FLOOD | FLAT BEZEL

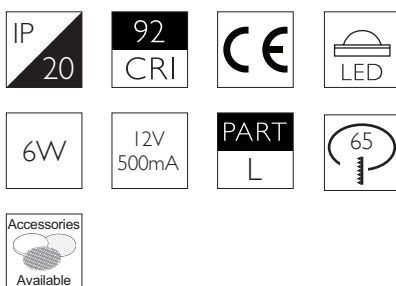


Glare Diagram



Cut Off: 36°

Glare Comfort Cut Off: 80°



Technical Description

Minimo 11 Fixed is a recessed LED luminaire providing high performance accent lighting from a compact source with minimal glare. Minimo 11 is perfect for use in colour-critical applications with 92CRI delivered from a single source LED module and available in two colour temperatures as standard. Tool-less, site changeable beam angles allow flexibility in varying environments. Machined from aerospace grade 6063-T6 aluminium or brass, Minimo 11 Fixed features a flat bezel with a choice of six finishes and an interchangeable chamfered aperture available in three finishes for complete aesthetic integration. Minimo 11 Fixed delivers a lumen package of 513lm at 6W.

Mechanical

Category Interior use only IP20

Material Machined Aluminium | Brass

Configuration Flat | Chamfered Aperture

Cutout \varnothing 65mm

Ceiling Thickness 3 - 25mm

Ceiling Void 20mm above module

Weight AL BK WH - 223g | RB PB CH - 245g

Finishes

Bezel Finishes Aluminium | Black | White | Rubbed Bronze | Polished Brass | Chrome | *

Aperture Finishes Black | White | Satin Brass | *

* Please enquire as to the availability of non-standard Finishes

Optical

System Power 6W

Module Output 513lm**

Absolute Output 420lm**

LOR 82%

Glare Cut Off 36°

Glare Comfort Cut Off 80°

** Photometry shown is correct for 3000K module. Please enquire for 2700K module output.

Colour Temperature 2700K | 3000K

CRI 92 Typ

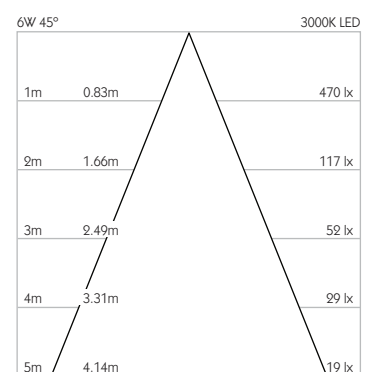
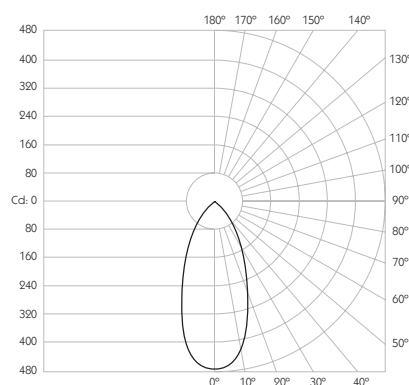
TM-30 Rf: 90 Rg: 99

Beam Angle 45°

Gear Type Dimmable Options Available

Gear Location Remote

Product Photometry independently tested in accordance with LM-79



Luminaire Code

RCD-605

Bezel Finish

AL	Brushed Aluminium
WH	White
BK	Black
RB	Rubbed Bronze
PB	Polished Brass
CH	Polished Chrome

Aperture Finish

BK	Black
WH	White
SB	Satin Brass

CCT

27	2700K
30	3000K

CRI

92

92 CRI

Beam Angle

45

45° Wide Flood

RCD-605

92

45