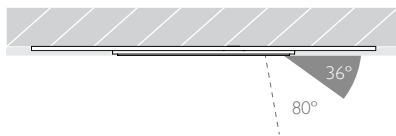
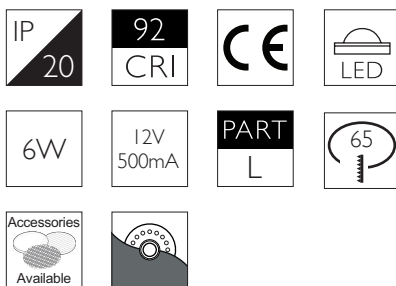


Glare Diagram



Cut Off: 36°

Glare Comfort Cut Off: 80°



## Technical Description

Minimo 11 Fixed is a recessed LED luminaire providing high performance accent lighting from a compact source with minimal glare. Minimo 11 is perfect for use in colour-critical applications with 92CRI delivered from a single source LED module and available in two colour temperatures as standard. Tool-less, site changeable beam angles allow flexibility in varying environments. Machined from 6063-T6 aluminium, Minimo 11 Fixed features a trimless bezel for a discreet appearance and an interchangeable chamfered aperture available in three finishes for complete aesthetic integration. Minimo 11 Fixed delivers a lumen package of 513lm at 6W.

## Mechanical

**Category** Interior use only IP20

**Ceiling Thickness** 5mm min.

**Material** Machined Aluminium

**Ceiling Void** 20mm above module

**Configuration** Trimless | Chamfered Aperture

**Weight** 255g

**Cutout** 65mm

## Finishes

**Aperture Finishes** Black | White | Satin Brass | \*

\* Please enquire as to the availability of non-standard finishes

## Optical

**System Power** 6W

**Colour Temperature** 2700K | 3000K

**Module Output** 513lm\*\*

**CRI** 92 Typ

**Absolute Output** 506lm\*\*

**TM-30** Rf: 90 Rg: 99

**LOR** 99%

**Beam Angle** 9°

**Glare Cut Off** 36°

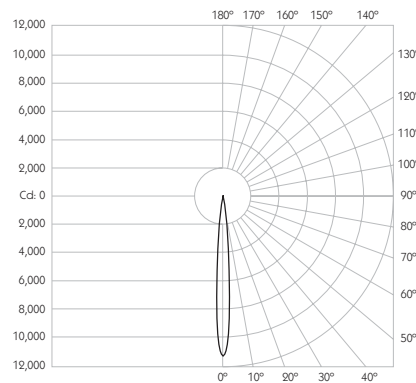
**Gear Type** Dimmable Options Available

**Glare Comfort Cut Off** 80°

**Gear Location** Remote

\*\* Photometry shown is correct for 3000K module. Please enquire for 2700K module output.

Product Photometry independently tested in accordance with LM-79



Distance	Beam Diameter	Illuminance (lx)
1m	0.16m	11,214 lx
2m	0.31m	2,804 lx
3m	0.47m	1,246 lx
4m	0.63m	701 lx
5m	0.79m	449 lx

## Configuration

Luminaire Code

RCT-605

Aperture Finish

<b>BK</b>	Black
<b>WH</b>	White
<b>SB</b>	Satin Brass

CCT

<b>27</b>	2700K
<b>30</b>	3000K

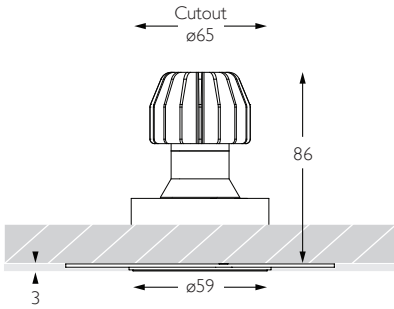
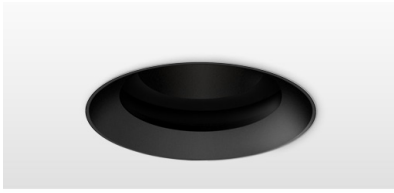
CRI

**92** 92 CRI

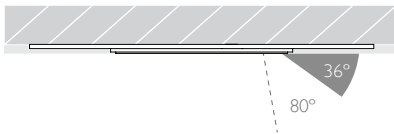
Beam Angle

**09** 9° Ultra Narrow Spot

RCT-605	-	-	92	09
---------	---	---	----	----

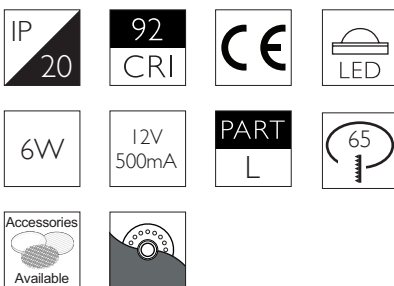


Glare Diagram



Cut Off: 36°

Glare Comfort Cut Off: 80°



## Technical Description

Minimo 11 Fixed is a recessed LED luminaire providing high performance accent lighting from a compact source with minimal glare. Minimo 11 is perfect for use in colour-critical applications with 92CRI delivered from a single source LED module and available in two colour temperatures as standard. Tool-less, site changeable beam angles allow flexibility in varying environments. Machined from 6063-T6 aluminium, Minimo 11 Fixed features a trimless bezel for a discreet appearance and an interchangeable chamfered aperture available in three finishes for complete aesthetic integration. Minimo 11 Fixed delivers a lumen package of 513lm at 6W.

## Mechanical

**Category** Interior use only IP20  
**Material** Machined Aluminium  
**Configuration** Trimless | Chamfered Aperture  
**Cutout**  $\varnothing$ 65mm  
**Ceiling Thickness** 5mm min.  
**Ceiling Void** 20mm above module  
**Weight** 255g

## Finishes

**Aperture Finishes** Black | White | Satin Brass | \*

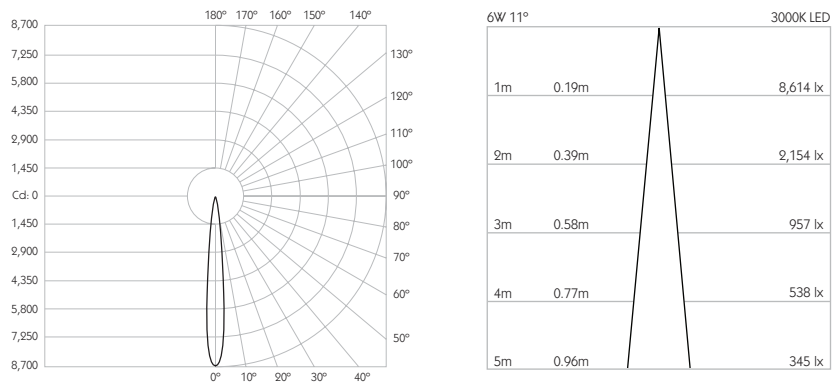
\* Please enquire as to the availability of non-standard finishes

## Optical

**System Power** 6W  
**Module Output** 513lm\*\*  
**Absolute Output** 504lm\*\*  
**LOR** 98%  
**Glare Cut Off** 36°  
**Glare Comfort Cut Off** 80°  
**Colour Temperature** 2700K | 3000K  
**CRI** 92 Typ  
**TM-30** Rf: 90 Rg: 99  
**Beam Angle** 11°  
**Gear Type** Dimmable Options Available  
**Gear Location** Remote

\*\* Photometry shown is correct for 3000K module. Please enquire for 2700K module output.

Product Photometry independently tested in accordance with LM-79

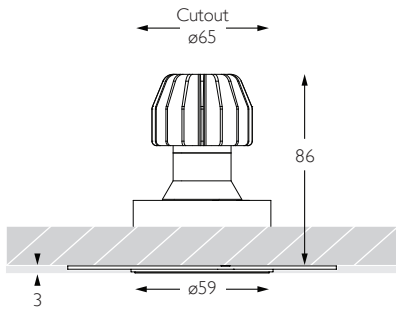
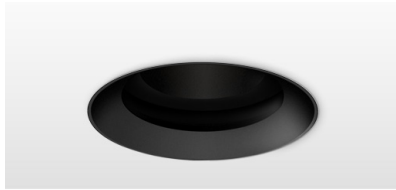


## Configuration

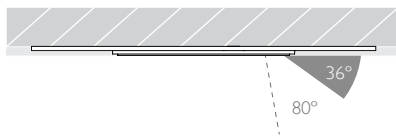
Luminaire Code	Aperture Finish	CCT	CRI	Beam Angle														
RCT-605	<table border="1"> <tr><td>BK</td><td>Black</td></tr> <tr><td>WH</td><td>White</td></tr> <tr><td>SB</td><td>Satin Brass</td></tr> </table>	BK	Black	WH	White	SB	Satin Brass	<table border="1"> <tr><td>27</td><td>2700K</td></tr> <tr><td>30</td><td>3000K</td></tr> </table>	27	2700K	30	3000K	<table border="1"> <tr><td>92</td><td>92 CRI</td></tr> </table>	92	92 CRI	<table border="1"> <tr><td>11</td><td>11° Narrow Spot</td></tr> </table>	11	11° Narrow Spot
BK	Black																	
WH	White																	
SB	Satin Brass																	
27	2700K																	
30	3000K																	
92	92 CRI																	
11	11° Narrow Spot																	

RCT-605	-	-	92	11
---------	---	---	----	----

SPOT | TRIMLESS

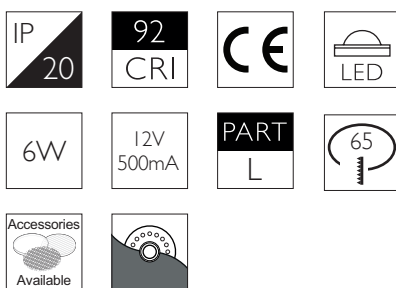


Glare Diagram



Cut Off: 36°

Glare Comfort Cut Off: 80°



## Technical Description

Minimo 11 Fixed is a recessed LED luminaire providing high performance accent lighting from a compact source with minimal glare. Minimo 11 is perfect for use in colour-critical applications with 92CRI delivered from a single source LED module and available in two colour temperatures as standard. Tool-less, site changeable beam angles allow flexibility in varying environments. Machined from 6063-T6 aluminium, Minimo 11 Fixed features a trimless bezel for a discreet appearance and an interchangeable chamfered aperture available in three finishes for complete aesthetic integration. Minimo 11 Fixed delivers a lumen package of 513lm at 6W.

## Mechanical

**Category** Interior use only IP20

**Ceiling Thickness** 5mm min.

**Material** Machined Aluminium

**Ceiling Void** 20mm above module

**Configuration** Trimless | Chamfered Aperture

**Weight** 255g

**Cutout** 65mm

## Finishes

**Aperture Finishes** Black | White | Satin Brass | \*

\* Please enquire as to the availability of non-standard finishes

## Optical

**System Power** 6W

**Colour Temperature** 2700K | 3000K

**Module Output** 513lm\*\*

**CRI** 92 Typ

**Absolute Output** 506lm\*\*

**TM-30** Rf: 90 Rg: 99

**LOR** 99%

**Beam Angle** 15°

**Glare Cut Off** 36°

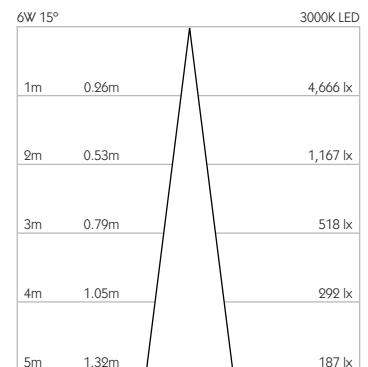
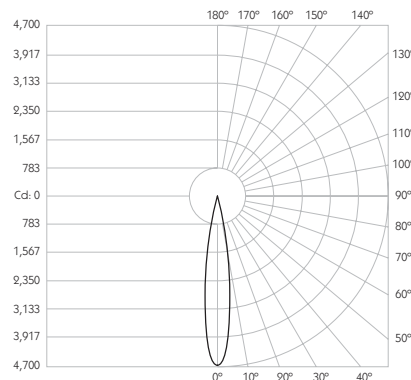
**Gear Type** Dimmable Options Available

**Glare Comfort Cut Off** 80°

**Gear Location** Remote

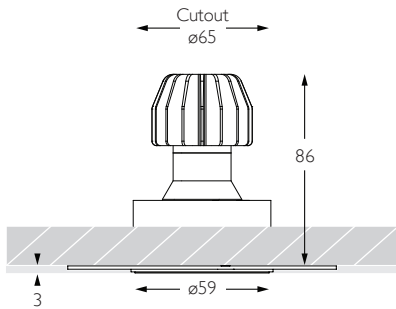
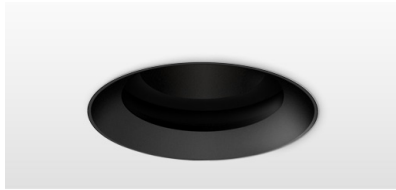
\*\* Photometry shown is correct for 3000K module. Please enquire for 2700K module output.

Product Photometry independently tested in accordance with LM-79

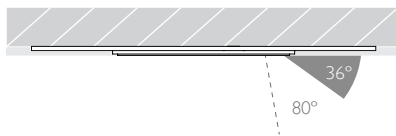


Luminaire Code	Aperture Finish	CCT	CRI	Beam Angle														
RCT-605	<table border="1"> <tr><td>BK</td><td>Black</td></tr> <tr><td>WH</td><td>White</td></tr> <tr><td>SB</td><td>Satin Brass</td></tr> </table>	BK	Black	WH	White	SB	Satin Brass	<table border="1"> <tr><td>27</td><td>2700K</td></tr> <tr><td>30</td><td>3000K</td></tr> </table>	27	2700K	30	3000K	<table border="1"> <tr><td>92</td><td>92 CRI</td></tr> </table>	92	92 CRI	<table border="1"> <tr><td>15</td><td>15° Spot</td></tr> </table>	15	15° Spot
BK	Black																	
WH	White																	
SB	Satin Brass																	
27	2700K																	
30	3000K																	
92	92 CRI																	
15	15° Spot																	
RCT-605	-	-	92	15														

FLOOD | TRIMLESS

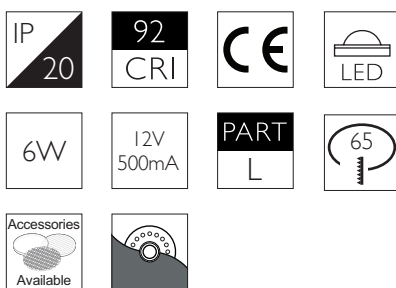


Glare Diagram



Cut Off: 36°

Glare Comfort Cut Off: 80°



## Technical Description

Minimo 11 Fixed is a recessed LED luminaire providing high performance accent lighting from a compact source with minimal glare. Minimo 11 is perfect for use in colour-critical applications with 92CRI delivered from a single source LED module and available in two colour temperatures as standard. Tool-less, site changeable beam angles allow flexibility in varying environments. Machined from 6063-T6 aluminium, Minimo 11 Fixed features a trimless bezel for a discreet appearance and an interchangeable chamfered aperture available in three finishes for complete aesthetic integration. Minimo 11 Fixed delivers a lumen package of 513lm at 6W.

## Mechanical

**Category** Interior use only IP20  
**Material** Machined Aluminium  
**Configuration** Trimless | Chamfered Aperture  
**Cutout**  $\varnothing 65\text{mm}$   
**Ceiling Thickness** 5mm min.  
**Ceiling Void** 20mm above module  
**Weight** 255g

## Finishes

**Aperture Finishes** Black | White | Satin Brass | \*

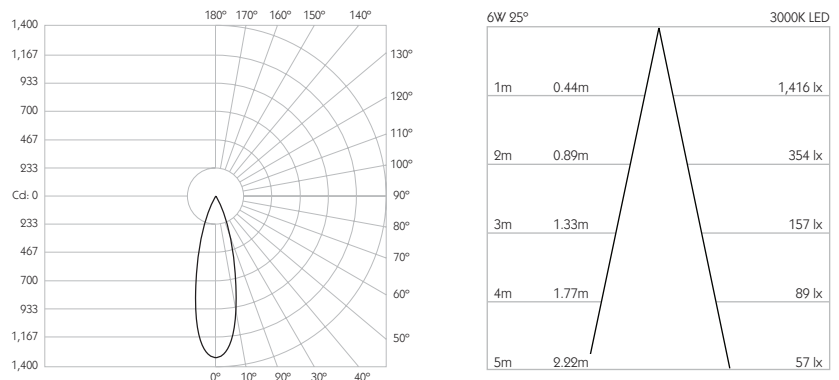
\* Please enquire as to the availability of non-standard finishes

## Optical

**System Power** 6W  
**Module Output** 513lm\*\*  
**Absolute Output** 439lm\*\*  
**LOR** 86%  
**Glare Cut Off** 36°  
**Glare Comfort Cut Off** 80°  
**Colour Temperature** 2700K | 3000K  
**CRI** 92 Typ  
**TM-30** Rf: 90 Rg: 99  
**Beam Angle** 25°  
**Gear Type** Dimmable Options Available  
**Gear Location** Remote

\*\* Photometry shown is correct for 3000K module. Please enquire for 2700K module output.

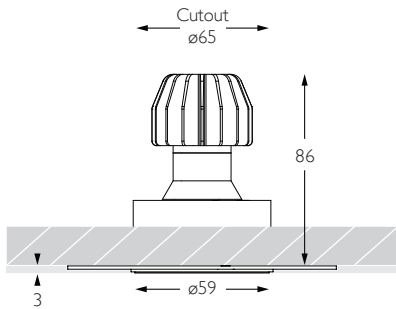
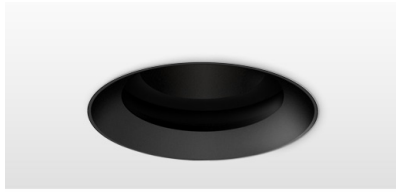
Product Photometry independently tested in accordance with LM-79



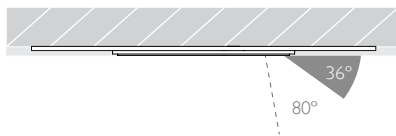
Luminaire Code	Aperture Finish	CCT	CRI	Beam Angle														
RCT-605	<table border="1"> <tr><td>BK</td><td>Black</td></tr> <tr><td>WH</td><td>White</td></tr> <tr><td>SB</td><td>Satin Brass</td></tr> </table>	BK	Black	WH	White	SB	Satin Brass	<table border="1"> <tr><td>27</td><td>2700K</td></tr> <tr><td>30</td><td>3000K</td></tr> </table>	27	2700K	30	3000K	<table border="1"> <tr><td>92</td><td>92 CRI</td></tr> </table>	92	92 CRI	<table border="1"> <tr><td>25</td><td>25° Flood</td></tr> </table>	25	25° Flood
BK	Black																	
WH	White																	
SB	Satin Brass																	
27	2700K																	
30	3000K																	
92	92 CRI																	
25	25° Flood																	

RCT-605	-	-	92	25
---------	---	---	----	----

WIDE FLOOD | TRIMLESS

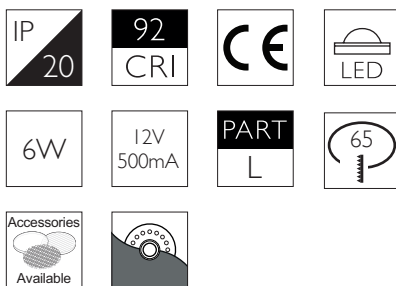


Glare Diagram



Cut Off: 36°

Glare Comfort Cut Off: 80°



## Technical Description

Minimo 11 Fixed is a recessed LED luminaire providing high performance accent lighting from a compact source with minimal glare. Minimo 11 is perfect for use in colour-critical applications with 92CRI delivered from a single source LED module and available in two colour temperatures as standard. Tool-less, site changeable beam angles allow flexibility in varying environments. Machined from 6063-T6 aluminium, Minimo 11 Fixed features a trimless bezel for a discreet appearance and an interchangeable chamfered aperture available in three finishes for complete aesthetic integration. Minimo 11 Fixed delivers a lumen package of 513lm at 6W.

## Mechanical

**Category** Interior use only IP20  
**Material** Machined Aluminium  
**Configuration** Trimless | Chamfered Aperture  
**Cutout**  $\varnothing$ 65mm  
**Ceiling Thickness** 5mm min.  
**Ceiling Void** 20mm above module  
**Weight** 255g

## Finishes

**Aperture Finishes** Black | White | Satin Brass | \*

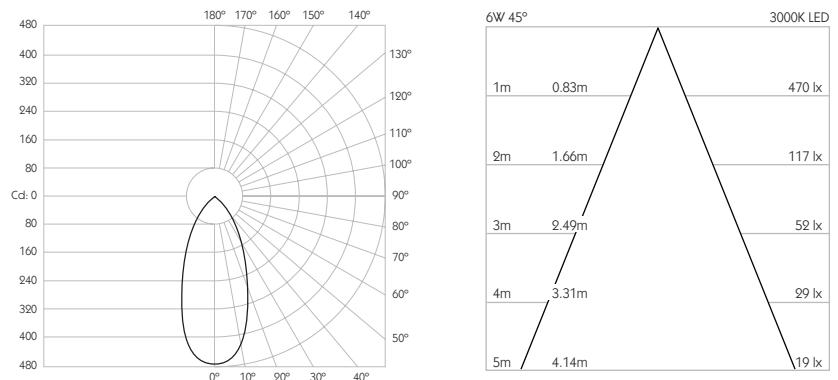
\* Please enquire as to the availability of non-standard finishes

## Optical

**System Power** 6W  
**Module Output** 513lm\*\*  
**Absolute Output** 420lm\*\*  
**LOR** 82%  
**Glare Cut Off** 36°  
**Glare Comfort Cut Off** 80°  
**Colour Temperature** 2700K | 3000K  
**CRI** 92 Typ  
**TM-30** Rf: 90 Rg: 99  
**Beam Angle** 45°  
**Gear Type** Dimmable Options Available  
**Gear Location** Remote

\*\* Photometry shown is correct for 3000K module. Please enquire for 2700K module output.

Product Photometry independently tested in accordance with LM-79



## Configuration Options

Luminaire Code	Aperture Finish	CCT	CRI	Beam Angle														
RCT-605	<table border="1"> <tr><td>BK</td><td>Black</td></tr> <tr><td>WH</td><td>White</td></tr> <tr><td>SB</td><td>Satin Brass</td></tr> </table>	BK	Black	WH	White	SB	Satin Brass	<table border="1"> <tr><td>27</td><td>2700K</td></tr> <tr><td>30</td><td>3000K</td></tr> </table>	27	2700K	30	3000K	<table border="1"> <tr><td>92</td><td>92 CRI</td></tr> </table>	92	92 CRI	<table border="1"> <tr><td>45</td><td>45° Wide Flood</td></tr> </table>	45	45° Wide Flood
BK	Black																	
WH	White																	
SB	Satin Brass																	
27	2700K																	
30	3000K																	
92	92 CRI																	
45	45° Wide Flood																	

RCT-605	-	-	92	45
---------	---	---	----	----