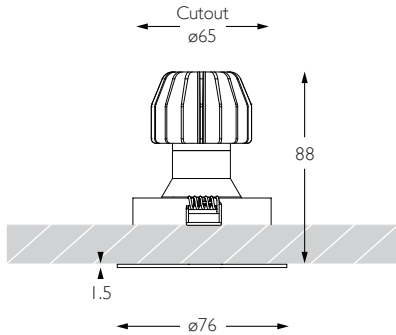


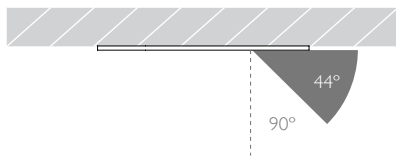
MINIMO 11 | FIXED

Luminaires
spec sheet RCD-606

ULTRA NARROW SPOT | FLAT BEZEL | PINHOLE APERTURE

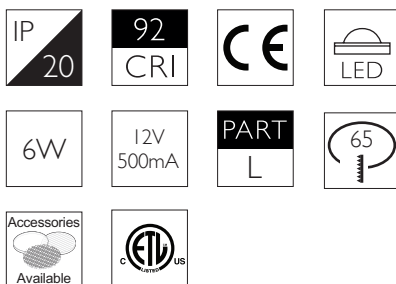


Glare Diagram



Cut Off: 44°

Glare Comfort Cut Off: 90°



Technical Description

Minimo 11 Fixed is a recessed LED luminaire providing high performance accent lighting from a compact source with minimal glare. Minimo 11 is perfect for use in colour-critical applications with 92CRI delivered from a single source LED module and available in two colour temperatures as standard. Tool-less, site changeable beam angles allow flexibility in varying environments. Machined from aerospace grade 6063-T6 aluminium, Minimo 11 Fixed features a flat, discreet bezel and 33mm pinhole aperture for a minimal and extremely low glare solution. Minimo 11 Fixed delivers a lumen package of 513lm at 6W.

Mechanical

Category Interior use only IP20

Material Machined Aluminium

Configuration Flat | Pinhole Aperture

Cutout \varnothing 65mm

Ceiling Thickness 3 - 25mm

Ceiling Void 20mm above module

Weight 236g

Finishes

Finishes Black | White *

* Please enquire as to the availability of non-standard Finishes

Optical

System Power 6W

Module Output 513lm**

Absolute Output 506lm**

LOR 99%

Glare Cut Off 44°

Glare Comfort Cut Off 90°

** Photometry shown is correct for 3000K module. Please enquire for 2700K module output.

Colour Temperature 2700K | 3000K

CRI 92 Typ

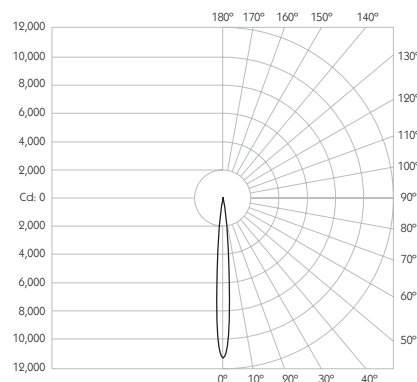
TM-30 Rf: 90 Rg: 99

Beam Angle 9°

Gear Type Dimmable Options Available

Gear Location Remote

Product Photometry independently tested in accordance with LM-79



Distance	Beam Diameter	Footcandle (lx)
1m	0.16m	11,214 lx
2m	0.31m	2,804 lx
3m	0.47m	1,246 lx
4m	0.63m	701 lx
5m	0.79m	449 lx

Luminaire Code

RCD-606

Finish

BK

Black

WH

White

CCT

27

2700K

30

3000K

CRI

92

92 CRI

Beam Angle

09

9° Ultra Narrow Spot

RCD-606

92

09

PRECISION
LIGHTING

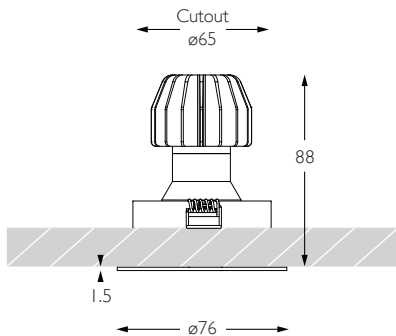
SALES@PRECISIONLIGHTING.CO.UK

WWW.PRECISIONLIGHTING.CO.UK

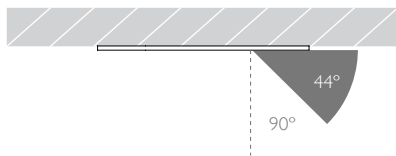
42 RIVERSIDE ROAD
LONDON SW17 0BA

t. +44 (0) 20 8947 6616
f. +44 (0) 20 8286 6626

Version 10.16

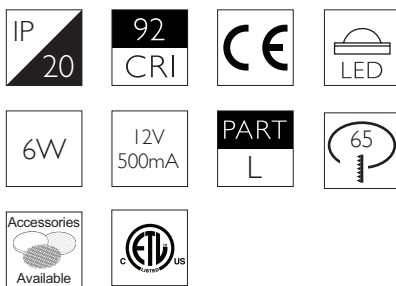


Glare Diagram



Cut Off: 44°

Glare Comfort Cut Off: 90°



Technical Description

Minimo 11 Fixed is a recessed LED luminaire providing high performance accent lighting from a compact source with minimal glare. Minimo 11 is perfect for use in colour-critical applications with 92CRI delivered from a single source LED module and available in two colour temperatures as standard. Tool-less, site changeable beam angles allow flexibility in varying environments. Machined from aerospace grade 6063-T6 aluminium, Minimo 11 Fixed features a flat, discreet bezel and 33mm pinhole aperture for a minimal and extremely low glare solution. Minimo 11 Fixed delivers a lumen package of 513lm at 6W.

Mechanical

Category Interior use only IP20

Material Machined Aluminium

Configuration Flat | Pinhole Aperture

Cutout 65mm

Ceiling Thickness 3 - 25mm

Ceiling Void 20mm above module

Weight 236g

Finishes

Finishes Black | White *

* Please enquire as to the availability of non-standard Finishes

Optical

System Power 6W

Module Output 513lm**

Absolute Output 504lm**

LOR 98%

Glare Cut Off 44°

Glare Comfort Cut Off 90°

** Photometry shown is correct for 3000K module. Please enquire for 2700K module output.

Colour Temperature 2700K | 3000K

CRI 92 Typ

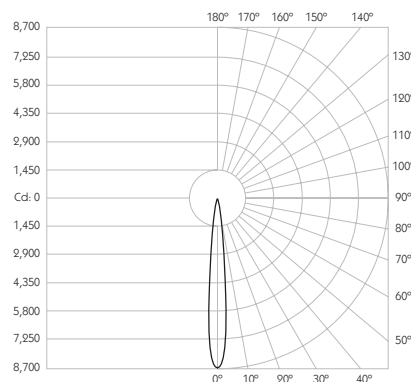
TM-30 Rf: 90 Rg: 99

Beam Angle 11°

Gear Type Dimmable Options Available

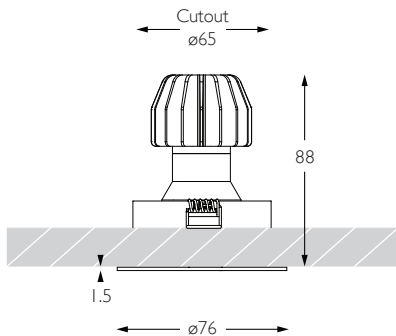
Gear Location Remote

Product Photometry independently tested in accordance with LM-79

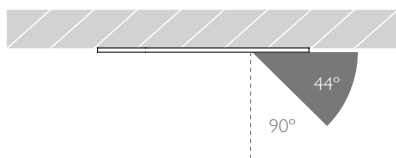


Distance	Beam Diameter	Illuminance (lx)
1m	0.19m	8,614 lx
2m	0.39m	2,154 lx
3m	0.58m	957 lx
4m	0.77m	538 lx
5m	0.96m	345 lx

Luminaire Code	Finish	CCT	CRI	Beam Angle
RCD-606	BK Black WH White	27 2700K 30 3000K	92 92 CRI	11 11° Narrow Spot

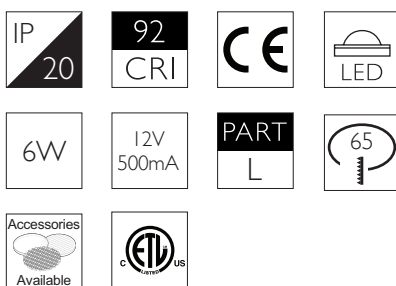


Glare Diagram



Cut Off: 44°

Glare Comfort Cut Off: 90°



Technical Description

Minimo 11 Fixed is a recessed LED luminaire providing high performance accent lighting from a compact source with minimal glare. Minimo 11 is perfect for use in colour-critical applications with 92CRI delivered from a single source LED module and available in two colour temperatures as standard. Tool-less, site changeable beam angles allow flexibility in varying environments. Machined from aerospace grade 6063-T6 aluminium, Minimo 11 Fixed features a flat, discreet bezel and 33mm pinhole aperture for a minimal and extremely low glare solution. Minimo 11 Fixed delivers a lumen package of 513lm at 6W.

Mechanical

Category Interior use only IP20

Material Machined Aluminium

Configuration Flat | Pinhole Aperture

Cutout \varnothing 65mm

Ceiling Thickness 3 - 25mm

Ceiling Void 20mm above module

Weight 236g

Finishes

Finishes Black | White *

* Please enquire as to the availability of non-standard Finishes

Optical

System Power 6W

Module Output 513lm**

Absolute Output 506lm**

LOR 99%

Glare Cut Off 44°

Glare Comfort Cut Off 90°

** Photometry shown is correct for 3000K module. Please enquire for 2700K module output.

Colour Temperature 2700K | 3000K

CRI 92 Typ

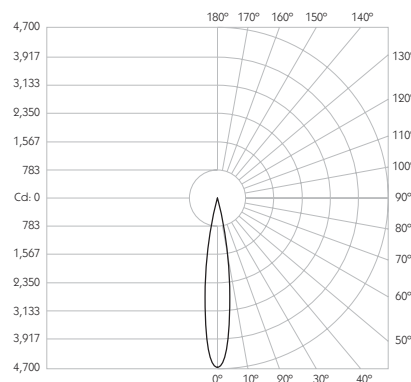
TM-30 Rf: 90 Rg: 99

Beam Angle 15°

Gear Type Dimmable Options Available

Gear Location Remote

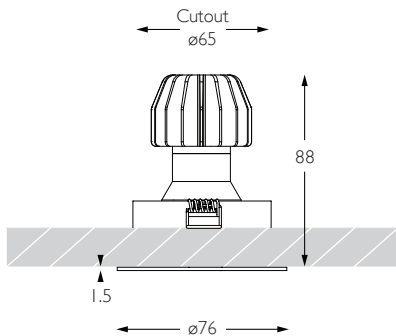
Product Photometry independently tested in accordance with LM-79



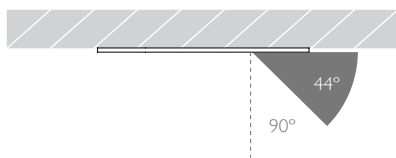
Distance	Beam Diameter	Footcandle (lx)
1m	0.26m	4,666 lx
2m	0.53m	1,167 lx
3m	0.79m	518 lx
4m	1.05m	292 lx
5m	1.32m	187 lx

Luminaire Code	Finish	CCT	CRI	Beam Angle
RCD-606	BK Black WH White	27 2700K 30 3000K	92 92 CRI	15 15° Spot

RCD-606	-	-	92	15
---------	---	---	----	----

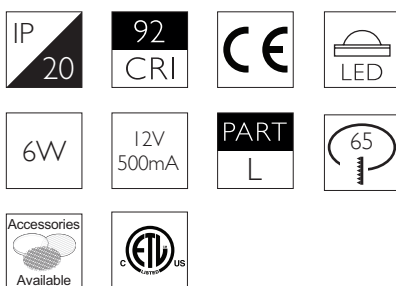


Glare Diagram



Cut Off: 44°

Glare Comfort Cut Off: 90°



Technical Description

Minimo 11 Fixed is a recessed LED luminaire providing high performance accent lighting from a compact source with minimal glare. Minimo 11 is perfect for use in colour-critical applications with 92CRI delivered from a single source LED module and available in two colour temperatures as standard. Tool-less, site changeable beam angles allow flexibility in varying environments. Machined from aerospace grade 6063-T6 aluminium, Minimo 11 Fixed features a flat, discreet bezel and 33mm pinhole aperture for a minimal and extremely low glare solution. Minimo 11 Fixed delivers a lumen package of 513lm at 6W.

Mechanical

Category Interior use only IP20

Material Machined Aluminium

Configuration Flat | Pinhole Aperture

Cutout \varnothing 65mm

Ceiling Thickness 3 - 25mm

Ceiling Void 20mm above module

Weight 236g

Finishes

Finishes Black | White *

* Please enquire as to the availability of non-standard Finishes

Optical

System Power 6W

Module Output 513lm**

Absolute Output 439lm**

LOR 86%

Glare Cut Off 44°

Glare Comfort Cut Off 90°

** Photometry shown is correct for 3000K module. Please enquire for 2700K module output.

Colour Temperature 2700K | 3000K

CRI 92 Typ

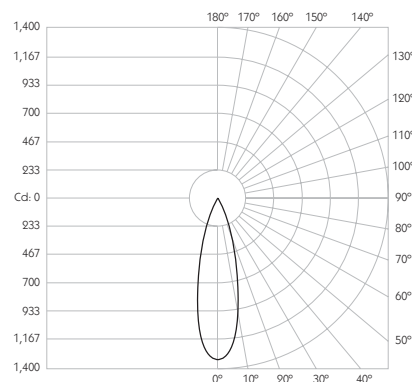
TM-30 Rf: 90 Rg: 99

Beam Angle 25°

Gear Type Dimmable Options Available

Gear Location Remote

Product Photometry independently tested in accordance with LM-79



Distance (m)	Beam Diameter (m)	Footcandle (lx)
1m	0.44m	1,416 lx
2m	0.89m	354 lx
3m	1.33m	157 lx
4m	1.77m	89 lx
5m	2.22m	57 lx

Luminaire Code

RCD-606

Finish

BK	Black
WH	White

CCT

27	2700K
30	3000K

CRI

92 92 CRI

Beam Angle

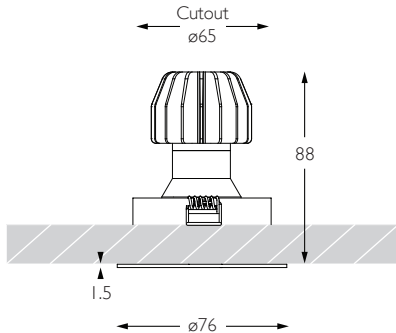
25 25° Flood

RCD-606

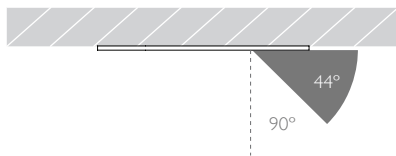
92

25

WIDE FLOOD | FLAT BEZEL | PINHOLE APERTURE

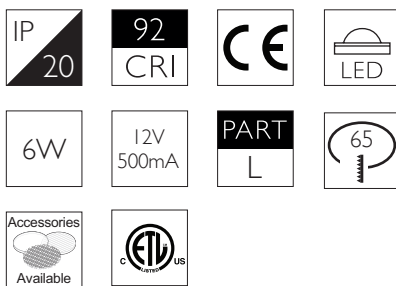


Glare Diagram



Cut Off: 44°

Glare Comfort Cut Off: 90°



Technical Description

Minimo 11 Fixed is a recessed LED luminaire providing high performance accent lighting from a compact source with minimal glare. Minimo 11 is perfect for use in colour-critical applications with 92CRI delivered from a single source LED module and available in two colour temperatures as standard. Tool-less, site changeable beam angles allow flexibility in varying environments. Machined from aerospace grade 6063-T6 aluminium, Minimo 11 Fixed features a flat, discreet bezel and 33mm pinhole aperture for a minimal and extremely low glare solution. Minimo 11 Fixed delivers a lumen package of 513lm at 6W.

Mechanical

Category Interior use only IP20

Material Machined Aluminium

Configuration Flat | Pinhole Aperture

Cutout 65mm

Ceiling Thickness 3 - 25mm

Ceiling Void 20mm above module

Weight 236g

Finishes

Finishes Black | White *

* Please enquire as to the availability of non-standard Finishes

Optical

System Power 6W

Module Output 513lm**

Absolute Output 420lm**

LOR 82%

Glare Cut Off 44°

Glare Comfort Cut Off 90°

** Photometry shown is correct for 3000K module. Please enquire for 2700K module output.

Colour Temperature 2700K | 3000K

CRI 92 Typ

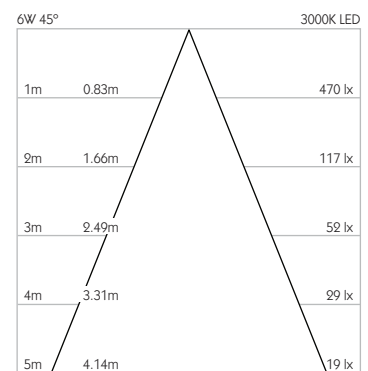
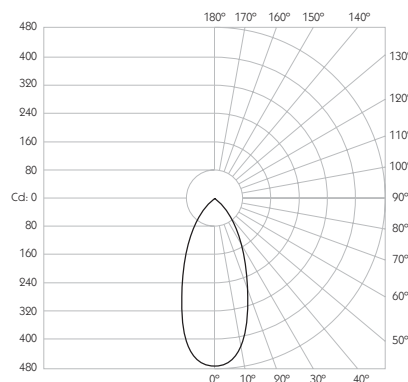
TM-30 Rf: 90 Rg: 99

Beam Angle 45°

Gear Type Dimmable Options Available

Gear Location Remote

Product Photometry independently tested in accordance with LM-79



Luminaire Code	Finish	CCT	CRI	Beam Angle												
RCD-606	<table border="1"> <tr> <td>BK</td> <td>Black</td> </tr> <tr> <td>WH</td> <td>White</td> </tr> </table>	BK	Black	WH	White	<table border="1"> <tr> <td>27</td> <td>2700K</td> </tr> <tr> <td>30</td> <td>3000K</td> </tr> </table>	27	2700K	30	3000K	<table border="1"> <tr> <td>92</td> <td>92 CRI</td> </tr> </table>	92	92 CRI	<table border="1"> <tr> <td>45</td> <td>45° Wide Flood</td> </tr> </table>	45	45° Wide Flood
BK	Black															
WH	White															
27	2700K															
30	3000K															
92	92 CRI															
45	45° Wide Flood															

RCD-606	-	-	92	45
---------	---	---	----	----