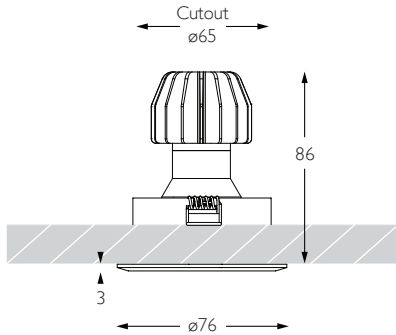


MINIMO 11 | IP54 ADJUSTABLE

Luminaires
spec sheet RC-625

ULTRA NARROW SPOT | CHAMFERED BEZEL

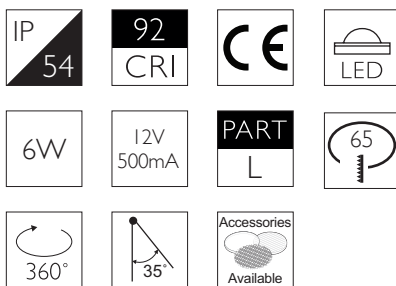


Glare Diagram



Cut Off: 36°

Glare Comfort Cut Off: 80°



Technical Description

Minimo 11 Adjustable is an IP54 recessed LED luminaire offering full adjustability with 360° pan and 35° tilt without breaking the ceiling line. Minimo 11 is perfect for use in colour-critical applications with 92CRI delivered from a single source LED module and available in two colour temperatures as standard. Tool-less, site changeable beam angles allow flexibility in varying environments. Machined from aerospace grade 6063-T6 aluminium or brass, Minimo 11 Adjustable features a chamfered bezel with a choice of six finishes and an interchangeable decorative aperture available in three finishes for complete aesthetic integration. Minimo 11 Adjustable delivers a lumen package of 513lm at 6W.

Mechanical

Category Interior use only IP54

Material Machined Aluminium | Brass

Configuration Chamfered Aperture

Cutout ø65mm

Ceiling Thickness 3 - 25mm

Ceiling Void 20mm above module

Pan 360° **Tilt** 35°

Weight AL BK WH - 226g | RB PB CH - 255g

Finishes

Bezel Finishes Aluminium | Black | White | Rubbed Bronze | Polished Brass | Chrome | *

Aperture Finishes Black | White | Satin Brass | *

* Please enquire as to the availability of non-standard Finishes

Optical

System Power 6W

Module Output 513lm**

Absolute Output 506lm**

LOR 99%

Glare Cut Off 36°

Glare Comfort Cut Off 80°

** Photometry shown is correct for 3000K module. Please enquire for 2700K module output.

Colour Temperature 2700K | 3000K

CRI 92 Typ

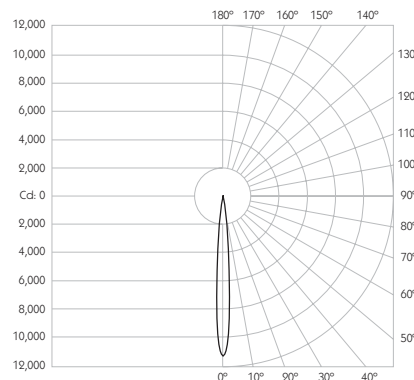
TM-30 Rf: 90 Rg: 99

Beam Angle 9°

Gear Type Dimmable Options Available

Gear Location Remote

Product Photometry independently tested in accordance with LM-79



| Distance | Beam Diameter | Illuminance (lx) |
|----------|---------------|------------------|
| 1m | 0.16m | 11,214 lx |
| 2m | 0.31m | 2,804 lx |
| 3m | 0.47m | 1,246 lx |
| 4m | 0.63m | 701 lx |
| 5m | 0.79m | 449 lx |

Luminaire Code

RC-625

Bezel Finish

| | |
|----|-------------------|
| AL | Brushed Aluminium |
| WH | White |
| BK | Black |
| RB | Rubbed Bronze |
| PB | Polished Brass |
| CH | Polished Chrome |

Aperture Finish

| | |
|----|-------------|
| BK | Black |
| WH | White |
| SB | Satin Brass |

CCT

| | |
|----|-------|
| 27 | 2700K |
| 30 | 3000K |

CRI

92 92 CRI

Beam Angle

09 9° Ultra Narrow Spot

RC-625

92

09

PRECISION
LIGHTING

SALES@PRECISIONLIGHTING.CO.UK

WWW.PRECISIONLIGHTING.CO.UK

42 RIVERSIDE ROAD
LONDON SW17 0BA

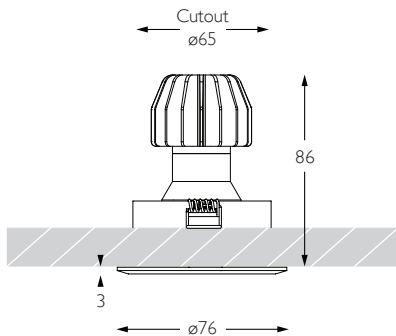
t. +44 (0) 20 8947 6616
f. +44 (0) 20 8286 6626

Version 10.16

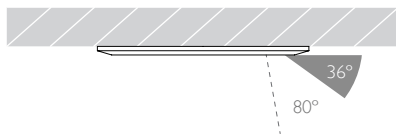
MINIMO 11 | IP54 ADJUSTABLE

Luminaires
spec sheet RC-625

NARROW SPOT | CHAMFERED BEZEL



Glare Diagram



Cut Off: 36°

Glare Comfort Cut Off: 80°

| | | | |
|-------|-----------|-----------------------|-----|
| IP 54 | 92 CRI | CE | LED |
| 6W | 12V 500mA | PART L | 65 |
| 360° | 35° | Accessories Available | |

Technical Description

Minimo 11 Adjustable is an IP54 recessed LED luminaire offering full adjustability with 360° pan and 35° tilt without breaking the ceiling line. Minimo 11 is perfect for use in colour-critical applications with 92CRI delivered from a single source LED module and available in two colour temperatures as standard. Tool-less, site changeable beam angles allow flexibility in varying environments. Machined from aerospace grade 6063-T6 aluminium or brass, Minimo 11 Adjustable features a chamfered bezel with a choice of six finishes and an interchangeable decorative aperture available in three finishes for complete aesthetic integration. Minimo 11 Adjustable delivers a lumen package of 513lm at 6W.

Mechanical

Category Interior use only IP54

Material Machined Aluminium | Brass

Configuration Chamfered Aperture

Cutout ø65mm

Ceiling Thickness 3 - 25mm

Ceiling Void 20mm above module

Pan 360° **Tilt** 35°

Weight AL BK WH - 226g | RB PB CH - 255g

Finishes

Bezel Finishes Aluminium | Black | White | Rubbed Bronze | Polished Brass | Chrome | *

Aperture Finishes Black | White | Satin Brass | *

* Please enquire as to the availability of non-standard Finishes

Optical

System Power 6W

Module Output 513lm**

Absolute Output 504lm**

LOR 98%

Glare Cut Off 36°

Glare Comfort Cut Off 80°

** Photometry shown is correct for 3000K module. Please enquire for 2700K module output.

Colour Temperature 2700K | 3000K

CRI 92 Typ

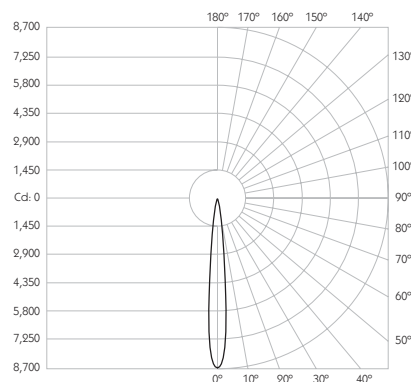
TM-30 Rf: 90 Rg: 99

Beam Angle 11°

Gear Type Dimmable Options Available

Gear Location Remote

Product Photometry independently tested in accordance with LM-79



| Distance | Beam Diameter | Illuminance (lx) |
|----------|---------------|------------------|
| 1m | 0.19m | 8,614 lx |
| 2m | 0.39m | 2,154 lx |
| 3m | 0.58m | 957 lx |
| 4m | 0.77m | 538 lx |
| 5m | 0.96m | 345 lx |

Luminaire Code

RC-625

Bezel Finish

| | |
|----|-------------------|
| AL | Brushed Aluminium |
| WH | White |
| BK | Black |
| RB | Rubbed Bronze |
| PB | Polished Brass |
| CH | Polished Chrome |

Aperture Finish

| | |
|----|-------------|
| BK | Black |
| WH | White |
| SB | Satin Brass |

CCT

| | |
|----|-------|
| 27 | 2700K |
| 30 | 3000K |

CRI

92 92 CRI

Beam Angle

11 11° Narrow Spot

RC-625

92

11

PRECISION
LIGHTING

SALES@PRECISIONLIGHTING.CO.UK

WWW.PRECISIONLIGHTING.CO.UK

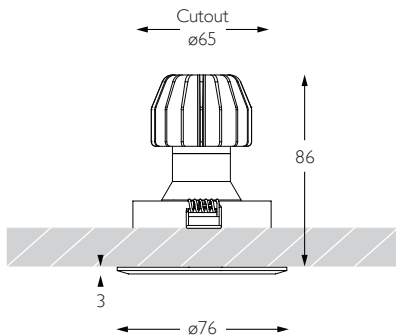
42 RIVERSIDE ROAD
LONDON SW17 0BA

t. +44 (0) 20 8947 6616
f. +44 (0) 20 8286 6626

MINIMO 11 | IP54 ADJUSTABLE

Luminaires
spec sheet RC-625

SPOT | CHAMFERED BEZEL

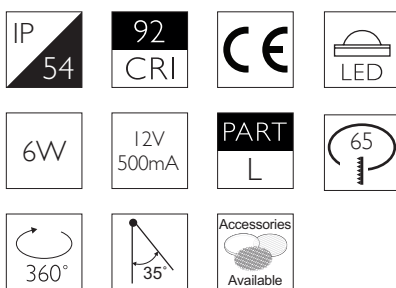


Glare Diagram



Cut Off: 36°

Glare Comfort Cut Off: 80°



Technical Description

Minimo 11 Adjustable is an IP54 recessed LED luminaire offering full adjustability with 360° pan and 35° tilt without breaking the ceiling line. Minimo 11 is perfect for use in colour-critical applications with 92CRI delivered from a single source LED module and available in two colour temperatures as standard. Tool-less, site changeable beam angles allow flexibility in varying environments. Machined from aerospace grade 6063-T6 aluminium or brass, Minimo 11 Adjustable features a chamfered bezel with a choice of six finishes and an interchangeable decorative aperture available in three finishes for complete aesthetic integration. Minimo 11 Adjustable delivers a lumen package of 513lm at 6W.

Mechanical

Category Interior use only IP54

Material Machined Aluminium | Brass

Configuration Chamfered Aperture

Cutout ø65mm

Ceiling Thickness 3 - 25mm

Ceiling Void 20mm above module

Pan 360° **Tilt** 35°

Weight AL BK WH - 226g | RB PB CH - 255g

Finishes

Bezel Finishes Aluminium | Black | White | Rubbed Bronze | Polished Brass | Chrome | *

Aperture Finishes Black | White | Satin Brass | *

* Please enquire as to the availability of non-standard Finishes

Optical

System Power 6W

Module Output 513lm**

Absolute Output 506lm**

LOR 99%

Glare Cut Off 36°

Glare Comfort Cut Off 80°

** Photometry shown is correct for 3000K module. Please enquire for 2700K module output.

Colour Temperature 2700K | 3000K

CRI 92 Typ

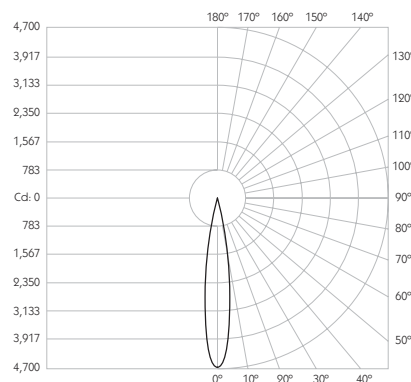
TM-30 Rf: 90 Rg: 99

Beam Angle 15°

Gear Type Dimmable Options Available

Gear Location Remote

Product Photometry independently tested in accordance with LM-79



| Beam Angle | Beam Diameter (m) | Beam Length (m) | Illuminance (lx) |
|------------|-------------------|-----------------|------------------|
| 15° | 0.26 | 0.96 | 4,666 lx |
| 15° | 0.53 | 1.92 | 1,167 lx |
| 15° | 0.79 | 2.88 | 518 lx |
| 15° | 1.05 | 3.84 | 292 lx |
| 15° | 1.32 | 4.80 | 187 lx |

Luminaire Code

RC-625

Bezel Finish

| | |
|----|-------------------|
| AL | Brushed Aluminium |
| WH | White |
| BK | Black |
| RB | Rubbed Bronze |
| PB | Polished Brass |
| CH | Polished Chrome |

Aperture Finish

| | |
|----|-------------|
| BK | Black |
| WH | White |
| SB | Satin Brass |

CCT

| | |
|----|-------|
| 27 | 2700K |
| 30 | 3000K |

CRI

92 92 CRI

Beam Angle

15 15° Spot

RC-625

92

15

PRECISION
LIGHTING

SALES@PRECISIONLIGHTING.CO.UK

WWW.PRECISIONLIGHTING.CO.UK

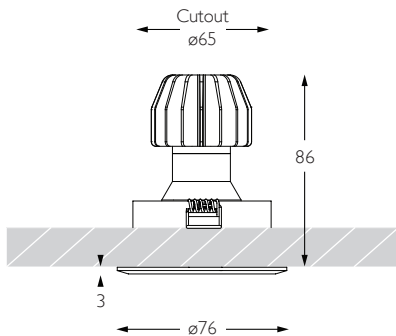
42 RIVERSIDE ROAD
LONDON SW17 0BA

t. +44 (0) 20 8947 6616
f. +44 (0) 20 8286 6626

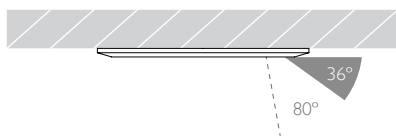
MINIMO 11 | IP54 ADJUSTABLE

Luminaires
spec sheet RC-625

FLOOD | CHAMFERED BEZEL

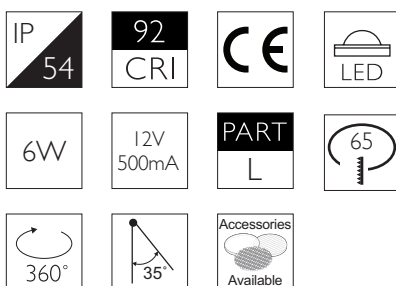


Glare Diagram



Cut Off: 36°

Glare Comfort Cut Off: 80°



Technical Description

Minimo 11 Adjustable is an IP54 recessed LED luminaire offering full adjustability with 360° pan and 35° tilt without breaking the ceiling line. Minimo 11 is perfect for use in colour-critical applications with 92CRI delivered from a single source LED module and available in two colour temperatures as standard. Tool-less, site changeable beam angles allow flexibility in varying environments. Machined from aerospace grade 6063-T6 aluminium or brass, Minimo 11 Adjustable features a chamfered bezel with a choice of six finishes and an interchangeable decorative aperture available in three finishes for complete aesthetic integration. Minimo 11 Adjustable delivers a lumen package of 513lm at 6W.

Mechanical

Category Interior use only IP54

Material Machined Aluminium | Brass

Configuration Chamfered Aperture

Cutout ø65mm

Ceiling Thickness 3 - 25mm

Ceiling Void 20mm above module

Pan 360° **Tilt** 35°

Weight AL BK WH - 226g | RB PB CH - 255g

Finishes

Bezel Finishes Aluminium | Black | White | Rubbed Bronze | Polished Brass | Chrome | *

Aperture Finishes Black | White | Satin Brass | *

* Please enquire as to the availability of non-standard Finishes

Optical

System Power 6W

Module Output 513lm**

Absolute Output 439lm**

LOR 86%

Glare Cut Off 36°

Glare Comfort Cut Off 80°

** Photometry shown is correct for 3000K module. Please enquire for 2700K module output.

Colour Temperature 2700K | 3000K

CRI 92 Typ

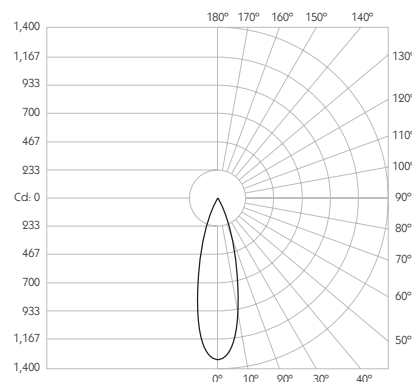
TM-30 Rf: 90 Rg: 99

Beam Angle 25°

Gear Type Dimmable Options Available

Gear Location Remote

Product Photometry independently tested in accordance with LM-79



| Distance | Beam Diameter | Illuminance (lx) |
|----------|---------------|------------------|
| 1m | 0.44m | 1,416 lx |
| 2m | 0.89m | 354 lx |
| 3m | 1.33m | 157 lx |
| 4m | 1.77m | 89 lx |
| 5m | 2.22m | 57 lx |

Luminaire Code

RC-625

Bezel Finish

| | |
|----|-------------------|
| AL | Brushed Aluminium |
| WH | White |
| BK | Black |
| RB | Rubbed Bronze |
| PB | Polished Brass |
| CH | Polished Chrome |

Aperture Finish

| | |
|----|-------------|
| BK | Black |
| WH | White |
| SB | Satin Brass |

CCT

| | |
|----|-------|
| 27 | 2700K |
| 30 | 3000K |

CRI

92 92 CRI

Beam Angle

25 25° Flood

RC-625

92

25

PRECISION
LIGHTING

SALES@PRECISIONLIGHTING.CO.UK

WWW.PRECISIONLIGHTING.CO.UK

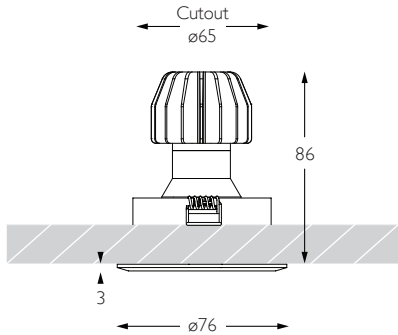
42 RIVERSIDE ROAD
LONDON SW17 0BA

t. +44 (0) 20 8947 6616
f. +44 (0) 20 8286 6626

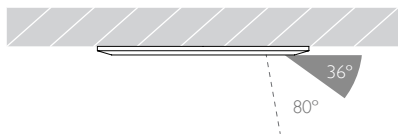
MINIMO 11 | IP54 ADJUSTABLE

Luminaires
spec sheet RC-625

WIDE FLOOD | CHAMFERED BEZEL

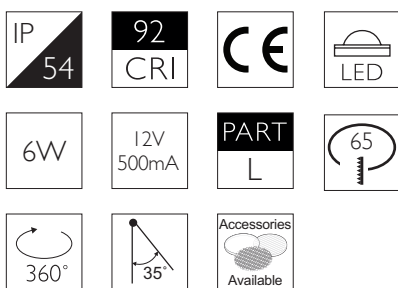


Glare Diagram



Cut Off: 36°

Glare Comfort Cut Off: 80°



Technical Description

Minimo 11 Adjustable is an IP54 recessed LED luminaire offering full adjustability with 360° pan and 35° tilt without breaking the ceiling line. Minimo 11 is perfect for use in colour-critical applications with 92CRI delivered from a single source LED module and available in two colour temperatures as standard. Tool-less, site changeable beam angles allow flexibility in varying environments. Machined from aerospace grade 6063-T6 aluminium or brass, Minimo 11 Adjustable features a chamfered bezel with a choice of six finishes and an interchangeable decorative aperture available in three finishes for complete aesthetic integration. Minimo 11 Adjustable delivers a lumen package of 513lm at 6W.

Mechanical

Category Interior use only IP54

Material Machined Aluminium | Brass

Configuration Chamfered Aperture

Cutout ø65mm

Ceiling Thickness 3 - 25mm

Ceiling Void 20mm above module

Pan 360° **Tilt** 35°

Weight AL BK WH - 226g | RB PB CH - 255g

Finishes

Bezel Finishes Aluminium | Black | White | Rubbed Bronze | Polished Brass | Chrome | *

Aperture Finishes Black | White | Satin Brass | *

* Please enquire as to the availability of non-standard Finishes

Optical

System Power 6W

Module Output 513lm**

Absolute Output 420lm**

LOR 82%

Glare Cut Off 36°

Glare Comfort Cut Off 80°

** Photometry shown is correct for 3000K module. Please enquire for 2700K module output.

Colour Temperature 2700K | 3000K

CRI 92 Typ

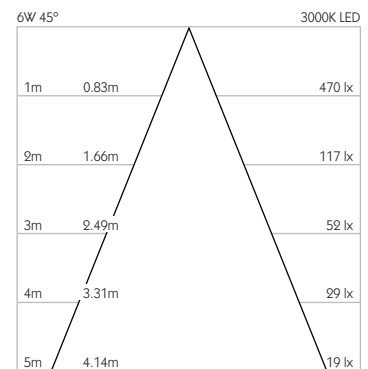
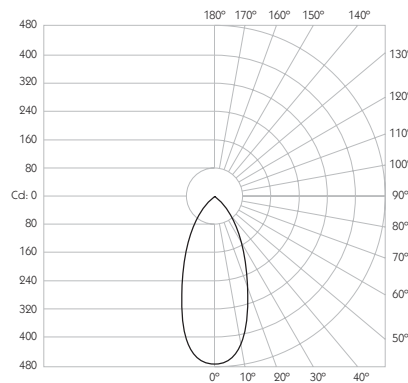
TM-30 Rf: 90 Rg: 99

Beam Angle 45°

Gear Type Dimmable Options Available

Gear Location Remote

Product Photometry independently tested in accordance with LM-79



Luminaire Code

RC-625

Bezel Finish

| | |
|----|-------------------|
| AL | Brushed Aluminium |
| WH | White |
| BK | Black |
| RB | Rubbed Bronze |
| PB | Polished Brass |
| CH | Polished Chrome |

Aperture Finish

| | |
|----|-------------|
| BK | Black |
| WH | White |
| SB | Satin Brass |

CCT

| | |
|----|-------|
| 27 | 2700K |
| 30 | 3000K |

CRI

92

92 CRI

Beam Angle

45

45° Wide Flood

RC-625

92

45

PRECISION
LIGHTING

SALES@PRECISIONLIGHTING.CO.UK

WWW.PRECISIONLIGHTING.CO.UK

42 RIVERSIDE ROAD
LONDON SW17 0BA

t. +44 (0) 20 8947 6616
f. +44 (0) 20 8286 6626

Version 10.16