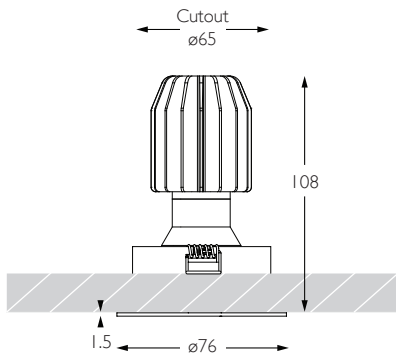


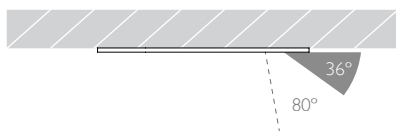
MINIMO 16 | FIXED

Luminaires
spec sheet RCD-631

ULTRA NARROW SPOT | FLAT BEZEL

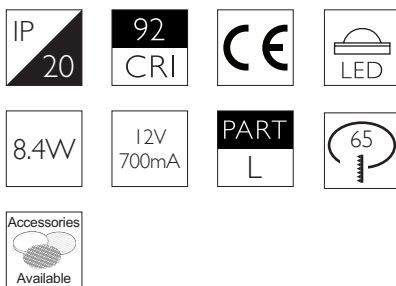


Glare Diagram



Cut Off: 36°

Glare Comfort Cut Off: 80°



Technical Description

Minimo 16 Fixed is a recessed LED luminaire providing high performance accent lighting from a compact source with minimal glare. Minimo 16 is perfect for use in colour-critical applications with 92CRI delivered from a single source LED module and available in two colour temperatures as standard. Tool-less, site changeable beam angles allow flexibility in varying environments. Machined from aerospace grade 6063-T6 aluminium or brass, Minimo 16 Fixed features a flat bezel with a choice of six finishes and an interchangeable chamfered aperture available in three finishes for complete aesthetic integration. Minimo 16 Fixed delivers a lumen package of 665lm at 8.4W.

Mechanical

Category Interior use only IP20

Material Machined Aluminium | Brass

Configuration Flat | Chamfered Aperture

Cutout ø65mm

Ceiling Thickness 3 - 25mm

Ceiling Void 20mm above module

Weight AL BK WH - 249g | RB PB CH - 271g

Finishes

Bezel Finishes Aluminium | Black | White | Rubbed Bronze | Polished Brass | Chrome | *

Aperture Finishes Black | White | Satin Brass | *

* Please enquire as to the availability of non-standard Finishes

Optical

System Power 8.4W

Module Output 665lm**

Absolute Output 656lm**

LOR 99%

Glare Cut Off 36°

Glare Comfort Cut Off 80°

** Photometry shown is correct for 3000K module. Please enquire for 2700K module output.

Colour Temperature 2700K | 3000K

CRI 92 Typ

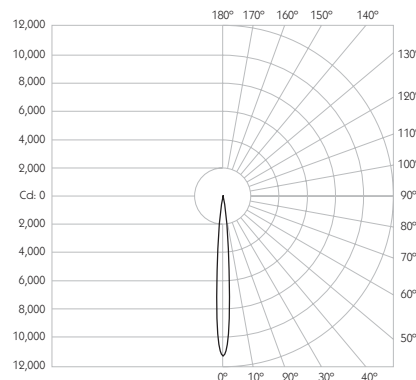
TM-30 Rf: 90 Rg: 99

Beam Angle 9°

Gear Type Dimmable Options Available

Gear Location Remote

Product Photometry independently tested in accordance with LM-79



| Distance | Beam Diameter | Illuminance (lx) |
|----------|---------------|------------------|
| 1m | 0.16m | 11,214 lx |
| 2m | 0.31m | 2,804 lx |
| 3m | 0.47m | 1,246 lx |
| 4m | 0.63m | 701 lx |
| 5m | 0.79m | 449 lx |

Luminaire Code

RCD-631

Bezel Finish

| | |
|----|-------------------|
| AL | Brushed Aluminium |
| WH | White |
| BK | Black |
| RB | Rubbed Bronze |
| PB | Polished Brass |
| CH | Polished Chrome |

Aperture Finish

| | |
|----|-------------|
| BK | Black |
| WH | White |
| SB | Satin Brass |

CCT

| | |
|----|-------|
| 27 | 2700K |
| 30 | 3000K |

CRI

92 92 CRI

Beam Angle

09 9° Ultra Narrow Spot

RCD-631

92

09

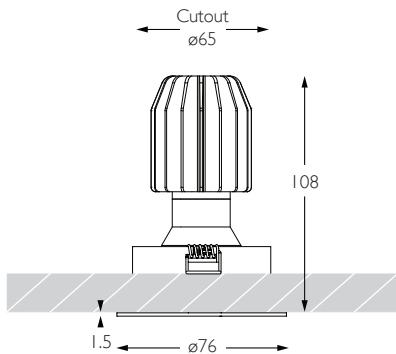
PRECISION
LIGHTING

SALES@PRECISIONLIGHTING.CO.UK

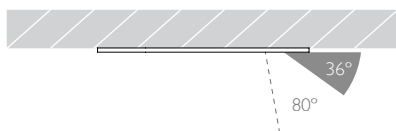
WWW.PRECISIONLIGHTING.CO.UK

42 RIVERSIDE ROAD
LONDON SW17 0BA

t. +44 (0) 20 8947 6616
f. +44 (0) 20 8286 6626



Glare Diagram



Cut Off: 36°

Glare Comfort Cut Off: 80°

| | | | |
|-----------------------|-----------|--------|-----|
| IP 20 | 92 CRI | CE | LED |
| 8.4W | 12V 700mA | PART L | 65 |
| Accessories Available | | | |

Technical Description

Minimo 16 Fixed is a recessed LED luminaire providing high performance accent lighting from a compact source with minimal glare. Minimo 16 is perfect for use in colour-critical applications with 92CRI delivered from a single source LED module and available in two colour temperatures as standard. Tool-less, site changeable beam angles allow flexibility in varying environments. Machined from aerospace grade 6063-T6 aluminium or brass, Minimo 16 Fixed features a flat bezel with a choice of six finishes and an interchangeable chamfered aperture available in three finishes for complete aesthetic integration. Minimo 16 Fixed delivers a lumen package of 665lm at 8.4W.

Mechanical

Category Interior use only IP20

Material Machined Aluminium | Brass

Configuration Flat | Chamfered Aperture

Cutout ø65mm

Ceiling Thickness 3 - 25mm

Ceiling Void 20mm above module

Weight AL BK WH - 249g | RB PB CH - 271g

Finishes

Bezel Finishes Aluminium | Black | White | Rubbed Bronze | Polished Brass | Chrome | *

Aperture Finishes Black | White | Satin Brass | *

* Please enquire as to the availability of non-standard Finishes

Optical

System Power 8.4W

Module Output 665lm**

Absolute Output 653lm**

LOR 98%

Glare Cut Off 36°

Glare Comfort Cut Off 80°

** Photometry shown is correct for 3000K module. Please enquire for 2700K module output.

Colour Temperature 2700K | 3000K

CRI 92 Typ

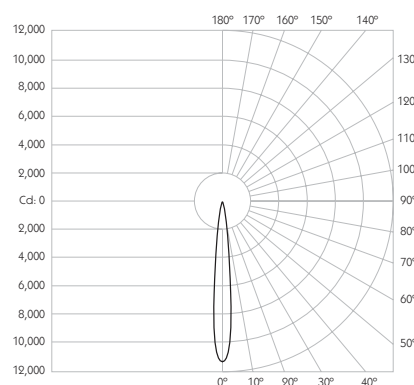
TM-30 Rf: 90 Rg: 99

Beam Angle 11°

Gear Type Dimmable Options Available

Gear Location Remote

Product Photometry independently tested in accordance with LM-79



| Distance | Beam Diameter | Illuminance (lx) |
|----------|---------------|------------------|
| 1m | 0.19m | 11,164 lx |
| 2m | 0.39m | 2,791 lx |
| 3m | 0.58m | 1,240 lx |
| 4m | 0.77m | 698 lx |
| 5m | 0.96m | 447 lx |

Luminaire Code

Bezel Finish

Aperture Finish

CCT

CRI

Beam Angle

RCD-631

| | |
|----|-------------------|
| AL | Brushed Aluminium |
| WH | White |
| BK | Black |
| RB | Rubbed Bronze |
| PB | Polished Brass |
| CH | Polished Chrome |

| | |
|----|-------------|
| BK | Black |
| WH | White |
| SB | Satin Brass |

| | |
|----|-------|
| 27 | 2700K |
| 30 | 3000K |

92 92 CRI

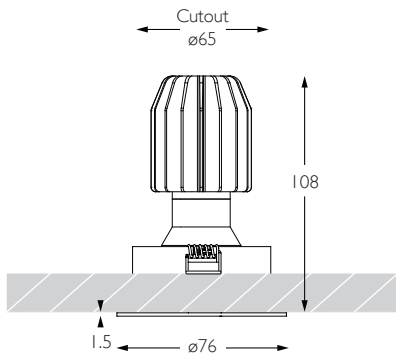
11 11° Narrow Spot

RCD-631

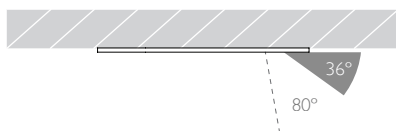
92

11

SPOT | FLAT BEZEL

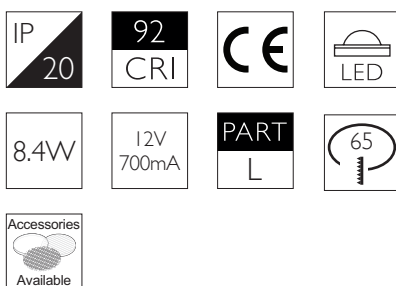


Glare Diagram



Cut Off: 36°

Glare Comfort Cut Off: 80°



Technical Description

Minimo 16 Fixed is a recessed LED luminaire providing high performance accent lighting from a compact source with minimal glare. Minimo 16 is perfect for use in colour-critical applications with 92CRI delivered from a single source LED module and available in two colour temperatures as standard. Tool-less, site changeable beam angles allow flexibility in varying environments. Machined from aerospace grade 6063-T6 aluminium or brass, Minimo 16 Fixed features a flat bezel with a choice of six finishes and an interchangeable chamfered aperture available in three finishes for complete aesthetic integration. Minimo 16 Fixed delivers a lumen package of 665lm at 8.4W.

Mechanical

Category Interior use only IP20

Material Machined Aluminium | Brass

Configuration Flat | Chamfered Aperture

Cutout ø65mm

Ceiling Thickness 3 - 25mm

Ceiling Void 20mm above module

Weight AL BK WH - 249g | RB PB CH - 271g

Finishes

Bezel Finishes Aluminium | Black | White | Rubbed Bronze | Polished Brass | Chrome | *

Aperture Finishes Black | White | Satin Brass | *

* Please enquire as to the availability of non-standard Finishes

Optical

System Power 8.4W

Module Output 665lm**

Absolute Output 656lm**

LOR 99%

Glare Cut Off 36°

Glare Comfort Cut Off 80°

** Photometry shown is correct for 3000K module. Please enquire for 2700K module output.

Colour Temperature 2700K | 3000K

CRI 92 Typ

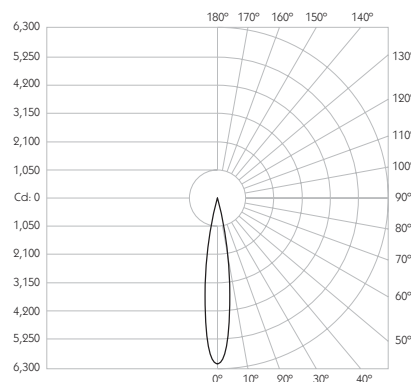
TM-30 Rf: 90 Rg: 99

Beam Angle 15°

Gear Type Dimmable Options Available

Gear Location Remote

Product Photometry independently tested in accordance with LM-79



| Distance | Beam Diameter | Illuminance (lx) |
|----------|---------------|------------------|
| 1m | 0.26m | 6,047 lx |
| 2m | 0.53m | 1,152 lx |
| 3m | 0.79m | 672 lx |
| 4m | 1.05m | 378 lx |
| 5m | 1.32m | 242 lx |

Luminaire Code

Bezel Finish

Aperture Finish

CCT

CRI

Beam Angle

RCD-631

| | |
|----|-------------------|
| AL | Brushed Aluminium |
| WH | White |
| BK | Black |
| RB | Rubbed Bronze |
| PB | Polished Brass |
| CH | Polished Chrome |

| | |
|----|-------------|
| BK | Black |
| WH | White |
| SB | Satin Brass |

| | |
|----|-------|
| 27 | 2700K |
| 30 | 3000K |

92 92 CRI

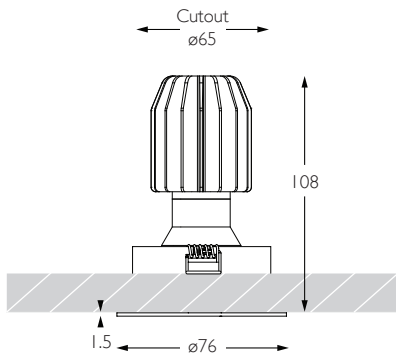
15 15° Spot

RCD-631

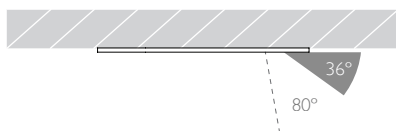
92

15

FLOOD | FLAT BEZEL

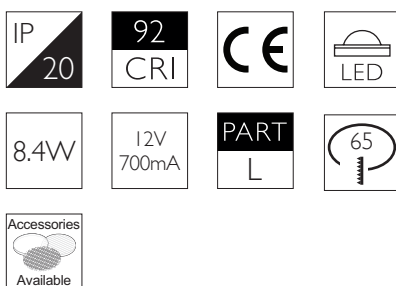


Glare Diagram



Cut Off: 36°

Glare Comfort Cut Off: 80°



Technical Description

Minimo 16 Fixed is a recessed LED luminaire providing high performance accent lighting from a compact source with minimal glare. Minimo 16 is perfect for use in colour-critical applications with 92CRI delivered from a single source LED module and available in two colour temperatures as standard. Tool-less, site changeable beam angles allow flexibility in varying environments. Machined from aerospace grade 6063-T6 aluminium or brass, Minimo 16 Fixed features a flat bezel with a choice of six finishes and an interchangeable chamfered aperture available in three finishes for complete aesthetic integration. Minimo 16 Fixed delivers a lumen package of 665lm at 8.4W.

Mechanical

Category Interior use only IP20

Material Machined Aluminium | Brass

Configuration Flat | Chamfered Aperture

Cutout ø65mm

Ceiling Thickness 3 - 25mm

Ceiling Void 20mm above module

Weight AL BK WH - 249g | RB PB CH - 271g

Finishes

Bezel Finishes Aluminium | Black | White | Rubbed Bronze | Polished Brass | Chrome | *

Aperture Finishes Black | White | Satin Brass | *

* Please enquire as to the availability of non-standard Finishes

Optical

System Power 8.4W

Module Output 665lm**

Absolute Output 569lm**

LOR 86%

Glare Cut Off 36°

Glare Comfort Cut Off 80°

** Photometry shown is correct for 3000K module. Please enquire for 2700K module output.

Colour Temperature 2700K | 3000K

CRI 92 Typ

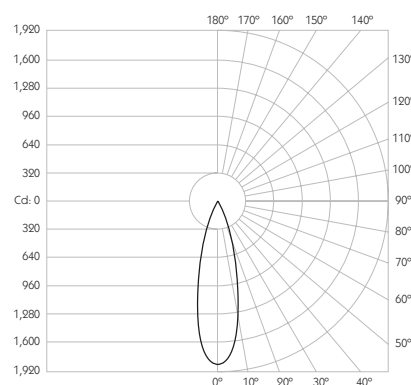
TM-30 Rf: 90 Rg: 99

Beam Angle 25°

Gear Type Dimmable Options Available

Gear Location Remote

Product Photometry independently tested in accordance with LM-79



| Distance | Beam Diameter | Illuminance (lx) |
|----------|---------------|------------------|
| 1m | 0.44m | 1,834 lx |
| 2m | 0.89m | 458 lx |
| 3m | 1.33m | 204 lx |
| 4m | 1.77m | 115 lx |
| 5m | 2.22m | 73 lx |

Luminaire Code

RCD-631

Bezel Finish

| | |
|----|-------------------|
| AL | Brushed Aluminium |
| WH | White |
| BK | Black |
| RB | Rubbed Bronze |
| PB | Polished Brass |
| CH | Polished Chrome |

Aperture Finish

| | |
|----|-------------|
| BK | Black |
| WH | White |
| SB | Satin Brass |

CCT

| | |
|----|-------|
| 27 | 2700K |
| 30 | 3000K |

CRI

92 92 CRI

Beam Angle

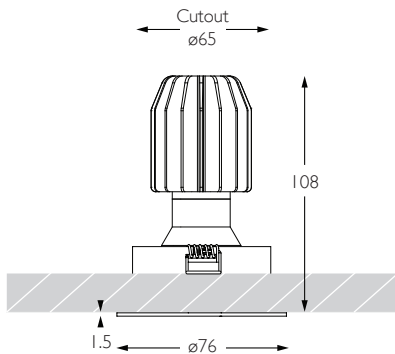
25 25° Flood

RCD-631

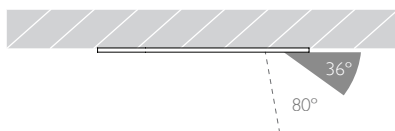
92

25

WIDE FLOOD | FLAT BEZEL

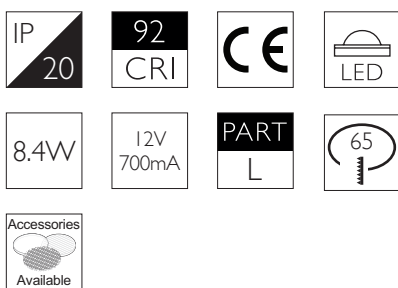


Glare Diagram



Cut Off: 36°

Glare Comfort Cut Off: 80°



Technical Description

Minimo 16 Fixed is a recessed LED luminaire providing high performance accent lighting from a compact source with minimal glare. Minimo 16 is perfect for use in colour-critical applications with 92CRI delivered from a single source LED module and available in two colour temperatures as standard. Tool-less, site changeable beam angles allow flexibility in varying environments. Machined from aerospace grade 6063-T6 aluminium or brass, Minimo 16 Fixed features a flat bezel with a choice of six finishes and an interchangeable chamfered aperture available in three finishes for complete aesthetic integration. Minimo 16 Fixed delivers a lumen package of 665lm at 8.4W.

Mechanical

Category Interior use only IP20

Material Machined Aluminium | Brass

Configuration Flat | Chamfered Aperture

Cutout \varnothing 65mm

Ceiling Thickness 3 - 25mm

Ceiling Void 20mm above module

Weight AL BK WH - 249g | RB PB CH - 271g

Finishes

Bezel Finishes Aluminium | Black | White | Rubbed Bronze | Polished Brass | Chrome | *

Aperture Finishes Black | White | Satin Brass | *

* Please enquire as to the availability of non-standard Finishes

Optical

System Power 8.4W

Module Output 665lm**

Absolute Output 544lm**

LOR 82%

Glare Cut Off 36°

Glare Comfort Cut Off 80°

** Photometry shown is correct for 3000K module. Please enquire for 2700K module output.

Colour Temperature 2700K | 3000K

CRI 92 Typ

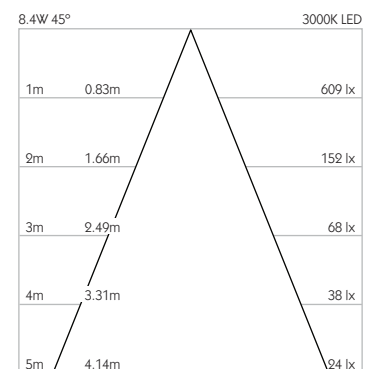
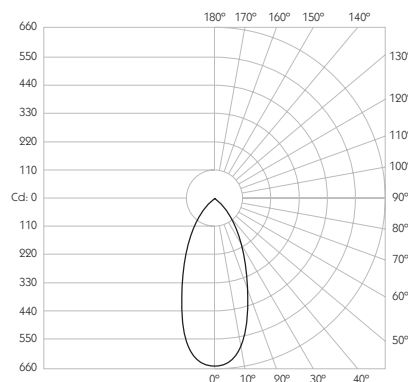
TM-30 Rf: 90 Rg: 99

Beam Angle 45°

Gear Type Dimmable Options Available

Gear Location Remote

Product Photometry independently tested in accordance with LM-79



Luminaire Code

RCD-631

Bezel Finish

| | |
|----|-------------------|
| AL | Brushed Aluminium |
| WH | White |
| BK | Black |
| RB | Rubbed Bronze |
| PB | Polished Brass |
| CH | Polished Chrome |

Aperture Finish

| | |
|----|-------------|
| BK | Black |
| WH | White |
| SB | Satin Brass |

CCT

| | |
|----|-------|
| 27 | 2700K |
| 30 | 3000K |

CRI

92

92 CRI

Beam Angle

45

45° Wide Flood

RCD-631

92

45