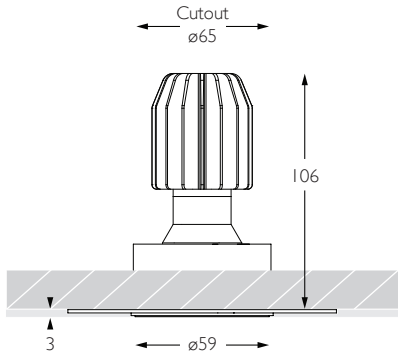


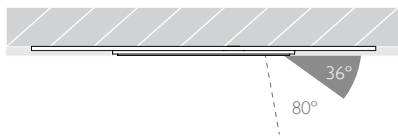
# MINIMO 16 | ADJUSTABLE

luminaires  
spec sheet RCT-635

ULTRA NARROW SPOT | TRIMLESS

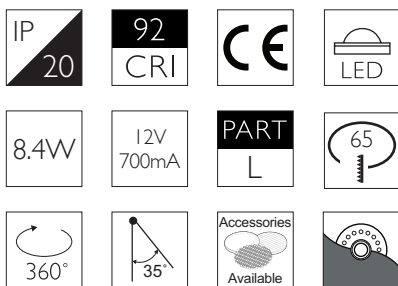


Glare Diagram



Cut Off: 36°

Glare Comfort Cut Off: 80°



## Technical Description

Minimo 16 Adjustable is a compact recessed LED luminaire offering full adjustability with 360° pan and 35° tilt without breaking the ceiling line. Minimo 16 is perfect for use in colour-critical applications with 92CRI delivered from a single source LED module and available in two colour temperatures as standard. Tool-less, site changeable beam angles allow flexibility in varying environments. Machined from aerospace grade 6063-T6 aluminium, Minimo 16 Adjustable Trimless offers a very discreet appearance and an interchangeable chamfered insert available with a choice of three finishes for complete architectural integration. Minimo 16 Adjustable delivers a lumen package of 665lm at 8.4W.

## Mechanical

**Category** Interior use only IP20

**Material** Machined Aluminium

**Configuration** Trimless | Chamfered Aperture

**Cutout** ø65mm

**Ceiling Thickness** 5mm min.

**Ceiling Void** 20mm above module

**Pan** 360° **Tilt** 35°

**Weight** 266g

## Finishes

**Aperture Finishes** Black | White | Satin Brass | \*

\* Please enquire as to the availability of non-standard Finishes

## Optical

**System Power** 8.4W

**Module Output** 665lm\*\*

**Absolute Output** 656lm\*\*

**LOR** 99%

**Glare Cut Off** 36°

**Glare Comfort Cut Off** 80°

\*\* Photometry shown is correct for 3000K module. Please enquire for 2700K module output.

**Colour Temperature** 2700K | 3000K

**CRI** 92 Typ

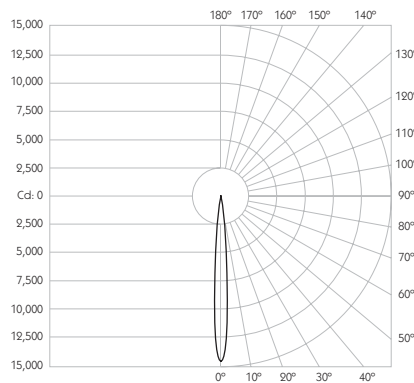
**TM-30** Rf: 90 Rg: 99

**Beam Angle** 9°

**Gear Type** Dimmable Options Available

**Gear Location** Remote

Product Photometry independently tested in accordance with LM-79



Distance	Beam Diameter	Illuminance (lx)
1m	0.16m	14,533 lx
2m	0.31m	3,633 lx
3m	0.47m	1,615 lx
4m	0.63m	908 lx
5m	0.79m	581 lx

## Configuration Options

Luminaire Code

RCT-635

Aperture Finish

<b>BK</b>	Black
<b>WH</b>	White
<b>SB</b>	Satin Brass

CCT

<b>27</b>	2700K
<b>30</b>	3000K

CRI

**92** 92 CRI

Beam Angle

**09** 9° Ultra Narrow Spot

RCT-635	-	-	92	09
---------	---	---	----	----

PRECISION  
LIGHTING

SALES@PRECISIONLIGHTING.CO.UK

WWW.PRECISIONLIGHTING.CO.UK

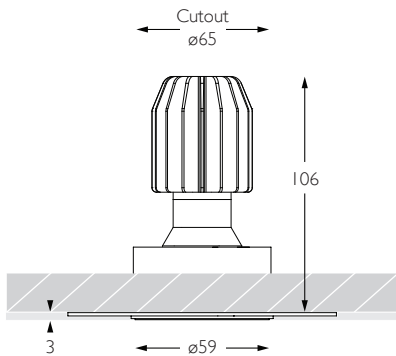
42 RIVERSIDE ROAD  
LONDON SW17 0BA

t. +44 (0) 20 8947 6616  
f. +44 (0) 20 8286 6626

# MINIMO 16 | ADJUSTABLE

luminaires  
spec sheet RCT-635

NARROW SPOT | TRIMLESS

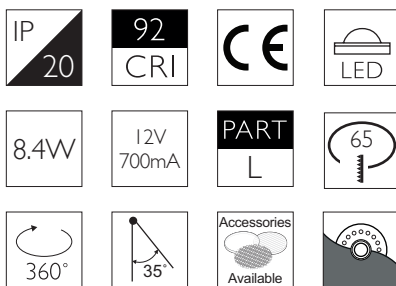


Glare Diagram



Cut Off: 36°

Glare Comfort Cut Off: 80°



## Technical Description

Minimo 16 Adjustable is a compact recessed LED luminaire offering full adjustability with 360° pan and 35° tilt without breaking the ceiling line. Minimo 16 is perfect for use in colour-critical applications with 92CRI delivered from a single source LED module and available in two colour temperatures as standard. Tool-less, site changeable beam angles allow flexibility in varying environments. Machined from aerospace grade 6063-T6 aluminium, Minimo 16 Adjustable Trimless offers a very discreet appearance and an interchangeable chamfered insert available with a choice of three finishes for complete architectural integration. Minimo 16 Adjustable delivers a lumen package of 665lm at 8.4W.

## Mechanical

**Category** Interior use only IP20  
**Material** Machined Aluminium  
**Configuration** Trimless | Chamfered Aperture  
**Cutout** ø65mm  
**Ceiling Thickness** 5mm min.  
**Ceiling Void** 20mm above module  
**Pan** 360° **Tilt** 35°  
**Weight** 266g

## Finishes

**Aperture Finishes** Black | White | Satin Brass | \*

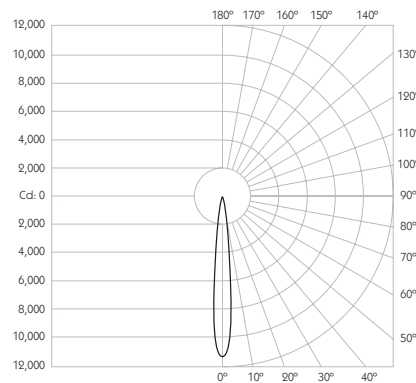
\* Please enquire as to the availability of non-standard Finishes

## Optical

**System Power** 8.4W  
**Module Output** 665lm\*\*  
**Absolute Output** 653lm\*\*  
**LOR** 98%  
**Glare Cut Off** 36°  
**Glare Comfort Cut Off** 80°  
**Colour Temperature** 2700K | 3000K  
**CRI** 92 Typ  
**TM-30** Rf: 90 Rg: 99  
**Beam Angle** 11°  
**Gear Type** Dimmable Options Available  
**Gear Location** Remote

\*\* Photometry shown is correct for 3000K module. Please enquire for 2700K module output.

Product Photometry independently tested in accordance with LM-79



Distance	Beam Diameter	Illuminance (lx)
1m	0.19m	11,164 lx
2m	0.39m	2,791 lx
3m	0.58m	1,240 lx
4m	0.77m	698 lx
5m	0.96m	447 lx

## Configuration Options

Luminaire Code	Aperture Finish	CCT	CRI	Beam Angle														
RCT-635	<table border="1"> <tr><td>BK</td><td>Black</td></tr> <tr><td>WH</td><td>White</td></tr> <tr><td>SB</td><td>Satin Brass</td></tr> </table>	BK	Black	WH	White	SB	Satin Brass	<table border="1"> <tr><td>27</td><td>2700K</td></tr> <tr><td>30</td><td>3000K</td></tr> </table>	27	2700K	30	3000K	<table border="1"> <tr><td>92</td><td>92 CRI</td></tr> </table>	92	92 CRI	<table border="1"> <tr><td>11</td><td>11° Narrow Spot</td></tr> </table>	11	11° Narrow Spot
BK	Black																	
WH	White																	
SB	Satin Brass																	
27	2700K																	
30	3000K																	
92	92 CRI																	
11	11° Narrow Spot																	

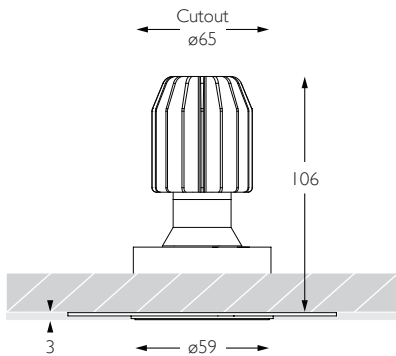
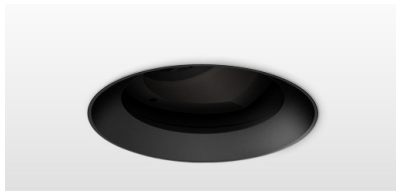
RCT-635	-	-	92	11
---------	---	---	----	----

PRECISION  
LIGHTING

SALES@PRECISIONLIGHTING.CO.UK  
WWW.PRECISIONLIGHTING.CO.UK

42 RIVERSIDE ROAD  
LONDON SW17 0BA  
t. +44 (0) 20 8947 6616  
f. +44 (0) 20 8286 6626

SPOT | TRIMLESS

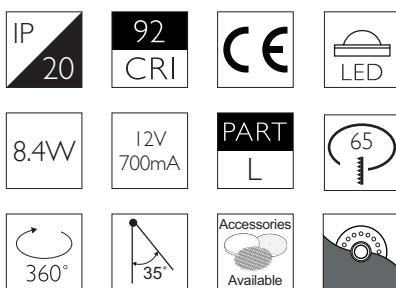


Glare Diagram



Cut Off: 36°

Glare Comfort Cut Off: 80°



## Technical Description

Minimo 16 Adjustable is a compact recessed LED luminaire offering full adjustability with 360° pan and 35° tilt without breaking the ceiling line. Minimo 16 is perfect for use in colour-critical applications with 92CRI delivered from a single source LED module and available in two colour temperatures as standard. Tool-less, site changeable beam angles allow flexibility in varying environments. Machined from aerospace grade 6063-T6 aluminium, Minimo 16 Adjustable Trimless offers a very discreet appearance and an interchangeable chamfered insert available with a choice of three finishes for complete architectural integration. Minimo 16 Adjustable delivers a lumen package of 665lm at 8.4W.

## Mechanical

**Category** Interior use only IP20

**Material** Machined Aluminium

**Configuration** Trimless | Chamfered Aperture

**Cutout** ø65mm

**Ceiling Thickness** 5mm min.

**Ceiling Void** 20mm above module

**Pan** 360° **Tilt** 35°

**Weight** 266g

## Finishes

**Aperture Finishes** Black | White | Satin Brass | \*

\* Please enquire as to the availability of non-standard Finishes

## Optical

**System Power** 8.4W

**Module Output** 665lm\*\*

**Absolute Output** 656lm\*\*

**LOR** 99%

**Glare Cut Off** 36°

**Glare Comfort Cut Off** 80°

\*\* Photometry shown is correct for 3000K module. Please enquire for 2700K module output.

**Colour Temperature** 2700K | 3000K

**CRI** 92 Typ

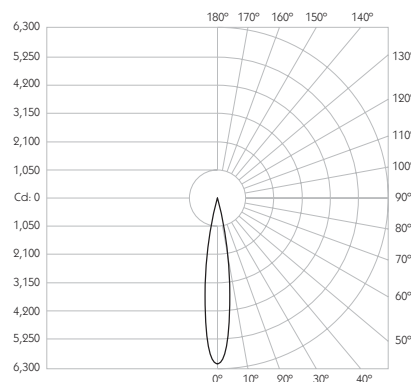
**TM-30** Rf: 90 Rg: 99

**Beam Angle** 15°

**Gear Type** Dimmable Options Available

**Gear Location** Remote

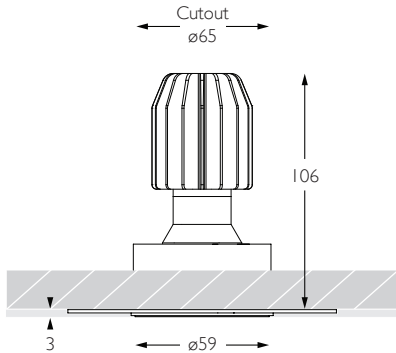
Product Photometry independently tested in accordance with LM-79



8.4W 15°		3000K LED	
1m	0.26m	6,047 lx	
2m	0.53m	1,152 lx	
3m	0.79m	672 lx	
4m	1.05m	378 lx	
5m	1.32m	242 lx	

Luminaire Code	Aperture Finish	CCT	CRI	Beam Angle														
RCT-635	<table border="1"> <tr><td>BK</td><td>Black</td></tr> <tr><td>WH</td><td>White</td></tr> <tr><td>SB</td><td>Satin Brass</td></tr> </table>	BK	Black	WH	White	SB	Satin Brass	<table border="1"> <tr><td>27</td><td>2700K</td></tr> <tr><td>30</td><td>3000K</td></tr> </table>	27	2700K	30	3000K	<table border="1"> <tr><td>92</td><td>92 CRI</td></tr> </table>	92	92 CRI	<table border="1"> <tr><td>15</td><td>15° Spot</td></tr> </table>	15	15° Spot
BK	Black																	
WH	White																	
SB	Satin Brass																	
27	2700K																	
30	3000K																	
92	92 CRI																	
15	15° Spot																	

RCT-635	-	-	92	15
---------	---	---	----	----

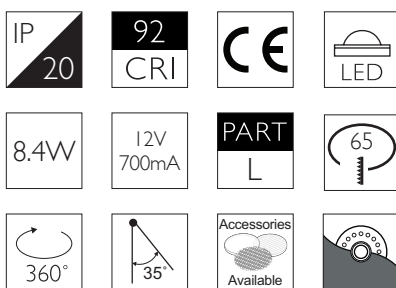


Glare Diagram



Cut Off: 36°

Glare Comfort Cut Off: 80°



## Technical Description

Minimo 16 Adjustable is a compact recessed LED luminaire offering full adjustability with 360° pan and 35° tilt without breaking the ceiling line. Minimo 16 is perfect for use in colour-critical applications with 92CRI delivered from a single source LED module and available in two colour temperatures as standard. Tool-less, site changeable beam angles allow flexibility in varying environments. Machined from aerospace grade 6063-T6 aluminium, Minimo 16 Adjustable Trimless offers a very discreet appearance and an interchangeable chamfered insert available with a choice of three finishes for complete architectural integration. Minimo 16 Adjustable delivers a lumen package of 665lm at 8.4W.

## Mechanical

**Category** Interior use only IP20  
**Material** Machined Aluminium  
**Configuration** Trimless | Chamfered Aperture  
**Cutout** ø65mm  
**Ceiling Thickness** 5mm min.  
**Ceiling Void** 20mm above module  
**Pan** 360° **Tilt** 35°  
**Weight** 266g

## Finishes

**Aperture Finishes** Black | White | Satin Brass | \*

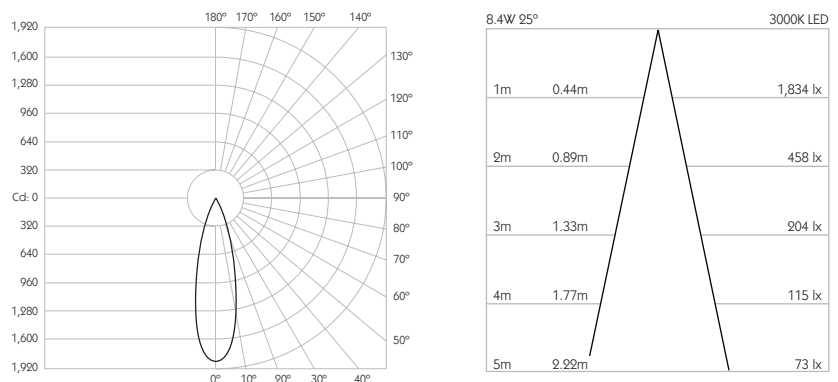
\* Please enquire as to the availability of non-standard Finishes

## Optical

**System Power** 8.4W  
**Module Output** 665lm\*\*  
**Absolute Output** 569lm\*\*  
**LOR** 86%  
**Glare Cut Off** 36°  
**Glare Comfort Cut Off** 80°  
**Colour Temperature** 2700K | 3000K  
**CRI** 92 Typ  
**TM-30** Rf: 90 Rg: 99  
**Beam Angle** 25°  
**Gear Type** Dimmable Options Available  
**Gear Location** Remote

\*\* Photometry shown is correct for 3000K module. Please enquire for 2700K module output.

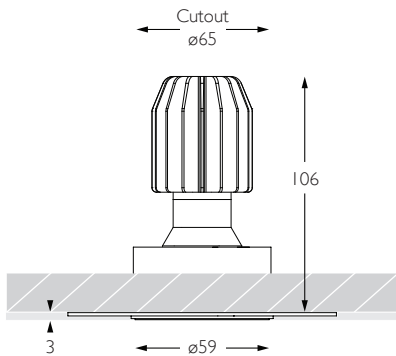
Product Photometry independently tested in accordance with LM-79



Luminaire Code	Aperture Finish	CCT	CRI	Beam Angle														
RCT-635	<table border="1"> <tr><td>BK</td><td>Black</td></tr> <tr><td>WH</td><td>White</td></tr> <tr><td>SB</td><td>Satin Brass</td></tr> </table>	BK	Black	WH	White	SB	Satin Brass	<table border="1"> <tr><td>27</td><td>2700K</td></tr> <tr><td>30</td><td>3000K</td></tr> </table>	27	2700K	30	3000K	<table border="1"> <tr><td>92</td><td>92 CRI</td></tr> </table>	92	92 CRI	<table border="1"> <tr><td>25</td><td>25° Flood</td></tr> </table>	25	25° Flood
BK	Black																	
WH	White																	
SB	Satin Brass																	
27	2700K																	
30	3000K																	
92	92 CRI																	
25	25° Flood																	

RCT-635	-	-	92	25
---------	---	---	----	----

WIDE FLOOD | TRIMLESS

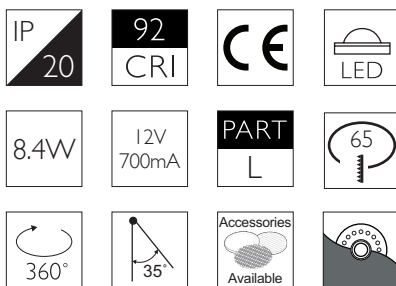


Glare Diagram



Cut Off: 36°

Glare Comfort Cut Off: 80°



## Technical Description

Minimo 16 Adjustable is a compact recessed LED luminaire offering full adjustability with 360° pan and 35° tilt without breaking the ceiling line. Minimo 16 is perfect for use in colour-critical applications with 92CRI delivered from a single source LED module and available in two colour temperatures as standard. Tool-less, site changeable beam angles allow flexibility in varying environments. Machined from aerospace grade 6063-T6 aluminium, Minimo 16 Adjustable Trimless offers a very discreet appearance and an interchangeable chamfered insert available with a choice of three finishes for complete architectural integration. Minimo 16 Adjustable delivers a lumen package of 665lm at 8.4W.

## Mechanical

**Category** Interior use only IP20

**Material** Machined Aluminium

**Configuration** Trimless | Chamfered Aperture

**Cutout** ø65mm

**Ceiling Thickness** 5mm min.

**Ceiling Void** 20mm above module

**Pan** 360° **Tilt** 35°

**Weight** 266g

## Finishes

**Aperture Finishes** Black | White | Satin Brass | \*

\* Please enquire as to the availability of non-standard Finishes

## Optical

**System Power** 8.4W

**Module Output** 665lm\*\*

**Absolute Output** 544lm\*\*

**LOR** 82%

**Glare Cut Off** 36°

**Glare Comfort Cut Off** 80°

\*\* Photometry shown is correct for 3000K module. Please enquire for 2700K module output.

**Colour Temperature** 2700K | 3000K

**CRI** 92 Typ

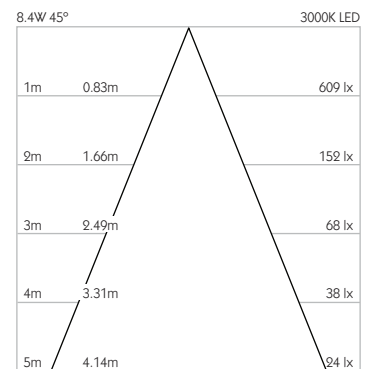
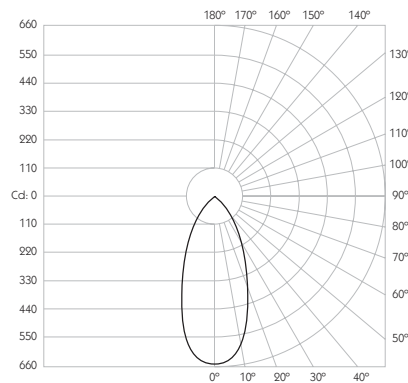
**TM-30** Rf: 90 Rg: 99

**Beam Angle** 45°

**Gear Type** Dimmable Options Available

**Gear Location** Remote

Product Photometry independently tested in accordance with LM-79



Luminaire Code	Aperture Finish	CCT	CRI	Beam Angle														
RCT-635	<table border="1"> <tr><td>BK</td><td>Black</td></tr> <tr><td>WH</td><td>White</td></tr> <tr><td>SB</td><td>Satin Brass</td></tr> </table>	BK	Black	WH	White	SB	Satin Brass	<table border="1"> <tr><td>27</td><td>2700K</td></tr> <tr><td>30</td><td>3000K</td></tr> </table>	27	2700K	30	3000K	<table border="1"> <tr><td>92</td><td>92 CRI</td></tr> </table>	92	92 CRI	<table border="1"> <tr><td>45</td><td>45° Wide Flood</td></tr> </table>	45	45° Wide Flood
BK	Black																	
WH	White																	
SB	Satin Brass																	
27	2700K																	
30	3000K																	
92	92 CRI																	
45	45° Wide Flood																	

RCT-635	-	-	92	45
---------	---	---	----	----