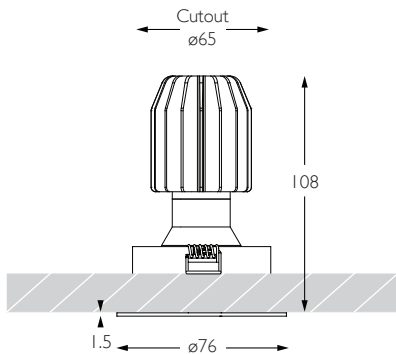


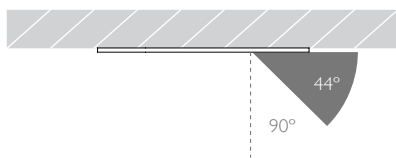
MINIMO 16 | ADJUSTABLE

Luminaires
spec sheet RCD-636

ULTRA NARROW SPOT | FLAT BEZEL | PINHOLE APERTURE

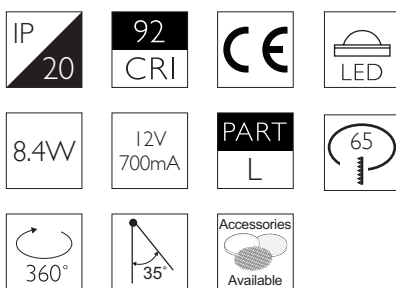


Glare Diagram



Cut Off: 44°

Glare Comfort Cut Off: 90°



Technical Description

Minimo 16 Adjustable is a compact recessed LED luminaire offering full adjustability with 360° pan and 35° tilt without breaking the ceiling line. Minimo 16 is perfect for use in colour-critical applications with 92CRI delivered from a single source LED module and available in two colour temperatures as standard. Tool-less, site changeable beam angles allow flexibility in varying environments. Machined from aerospace grade 6063-T6 aluminium, Minimo 16 Adjustable features a flat, discreet bezel and 33mm pinhole aperture for a minimal and extremely low glare solution. Minimo 16 Adjustable delivers a lumen package of 665lm at 8.4W.

Mechanical

Category Interior use only IP20

Material Machined Aluminium

Configuration Flat | Pinhole Aperture

Cutout \varnothing 65mm

Ceiling Thickness 3 - 25mm

Ceiling Void 20mm above module

Pan 360° **Tilt** 35°

Weight 247g

Finishes

Finishes Black | White *

* Please enquire as to the availability of non-standard Finishes

Optical

System Power 8.4W

Module Output 665lm**

Absolute Output 656lm**

LOR 99%

Glare Cut Off 44°

Glare Comfort Cut Off 90°

** Photometry shown is correct for 3000K module. Please enquire for 2700K module output.

Colour Temperature 2700K | 3000K

CRI 92 Typ

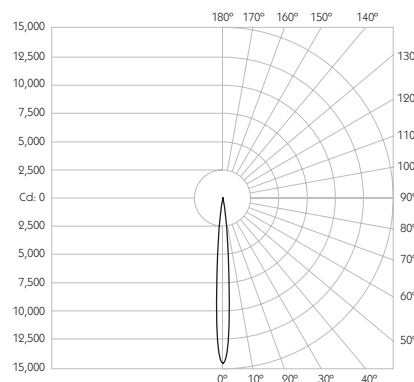
TM-30 Rf: 90 Rg: 99

Beam Angle 9°

Gear Type Dimmable Options Available

Gear Location Remote

Product Photometry independently tested in accordance with LM-79



Distance	Beam Diameter	Illuminance (lx)
1m	0.16m	14,533 lx
2m	0.31m	3,633 lx
3m	0.47m	1,615 lx
4m	0.63m	908 lx
5m	0.79m	581 lx

Luminaire Code

RCD-636

Finish

BK

Black

WH

White

CCT

27

2700K

30

3000K

CRI

92

92 CRI

Beam Angle

09

9° Ultra Narrow Spot

RCD-636

92

09

PRECISION
LIGHTING

SALES@PRECISIONLIGHTING.CO.UK

WWW.PRECISIONLIGHTING.CO.UK

42 RIVERSIDE ROAD
LONDON SW17 0BA

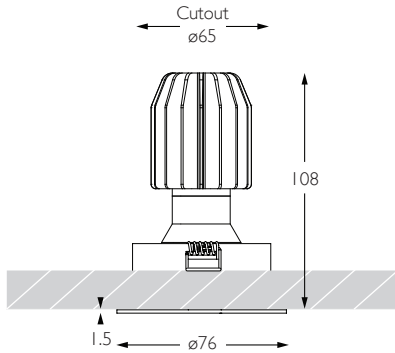
t. +44 (0) 20 8947 6616
f. +44 (0) 20 8286 6626

Version 10.16

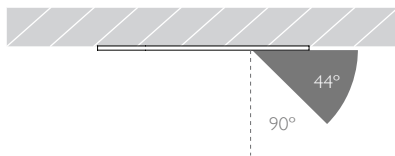
MINIMO 16 | ADJUSTABLE

Luminaires
spec sheet RCD-636

NARROW SPOT | FLAT BEZEL | PINHOLE APERTURE

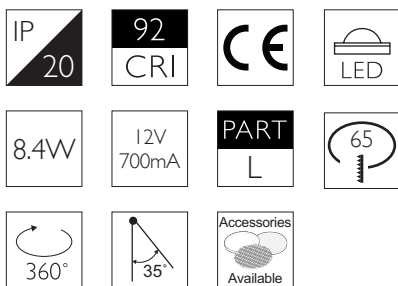


Glare Diagram



Cut Off: 44°

Glare Comfort Cut Off: 90°



Technical Description

Minimo 16 Adjustable is a compact recessed LED luminaire offering full adjustability with 360° pan and 35° tilt without breaking the ceiling line. Minimo 16 is perfect for use in colour-critical applications with 92CRI delivered from a single source LED module and available in two colour temperatures as standard. Tool-less, site changeable beam angles allow flexibility in varying environments. Machined from aerospace grade 6063-T6 aluminium, Minimo 16 Adjustable features a flat, discreet bezel and 33mm pinhole aperture for a minimal and extremely low glare solution. Minimo 16 Adjustable delivers a lumen package of 665lm at 8.4W.

Mechanical

Category Interior use only IP20

Material Machined Aluminium

Configuration Flat | Pinhole Aperture

Cutout \varnothing 65mm

Ceiling Thickness 3 - 25mm

Ceiling Void 20mm above module

Pan 360° **Tilt** 35°

Weight 247g

Finishes

Finishes Black | White *

* Please enquire as to the availability of non-standard Finishes

Optical

System Power 8.4W

Module Output 665lm**

Absolute Output 653lm**

LOR 98%

Glare Cut Off 44°

Glare Comfort Cut Off 90°

** Photometry shown is correct for 3000K module. Please enquire for 2700K module output.

Colour Temperature 2700K | 3000K

CRI 92 Typ

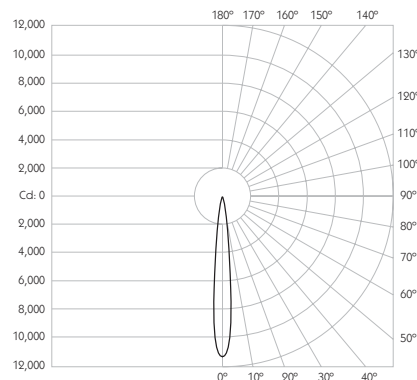
TM-30 Rf: 90 Rg: 99

Beam Angle 11°

Gear Type Dimmable Options Available

Gear Location Remote

Product Photometry independently tested in accordance with LM-79



Distance (m)	Beam Diameter (m)	Footcandle (lx)
1m	0.19m	11,164 lx
2m	0.39m	2,791 lx
3m	0.58m	1,240 lx
4m	0.77m	698 lx
5m	0.96m	447 lx

Luminaire Code

RCD-636

Finish

BK
WH

Black
White

CCT

27
30

2700K
3000K

CRI

92

92 CRI

Beam Angle

11

11° Narrow Spot

RCD-636

92

11

PRECISION
LIGHTING

SALES@PRECISIONLIGHTING.CO.UK

WWW.PRECISIONLIGHTING.CO.UK

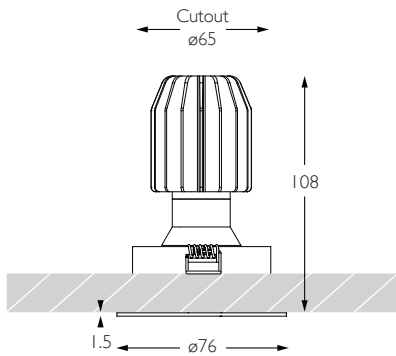
42 RIVERSIDE ROAD
LONDON SW17 0BA

t. +44 (0) 20 8947 6616
f. +44 (0) 20 8286 6626

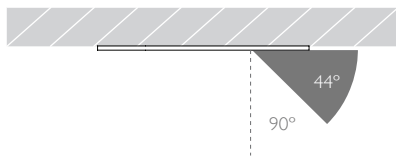
MINIMO 16 | ADJUSTABLE

Luminaires
spec sheet RCD-636

SPOT | FLAT BEZEL | PINHOLE APERTURE

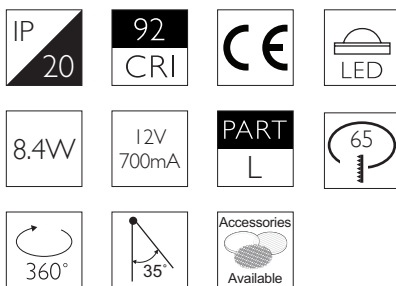


Glare Diagram



Cut Off: 44°

Glare Comfort Cut Off: 90°



Technical Description

Minimo 16 Adjustable is a compact recessed LED luminaire offering full adjustability with 360° pan and 35° tilt without breaking the ceiling line. Minimo 16 is perfect for use in colour-critical applications with 92CRI delivered from a single source LED module and available in two colour temperatures as standard. Tool-less, site changeable beam angles allow flexibility in varying environments. Machined from aerospace grade 6063-T6 aluminium, Minimo 16 Adjustable features a flat, discreet bezel and 33mm pinhole aperture for a minimal and extremely low glare solution. Minimo 16 Adjustable delivers a lumen package of 665lm at 8.4W.

Mechanical

Category Interior use only IP20

Material Machined Aluminium

Configuration Flat | Pinhole Aperture

Cutout ø65mm

Ceiling Thickness 3 - 25mm

Ceiling Void 20mm above module

Pan 360° **Tilt** 35°

Weight 247g

Finishes

Finishes Black | White *

* Please enquire as to the availability of non-standard Finishes

Optical

System Power 8.4W

Module Output 665lm**

Absolute Output 656lm**

LOR 99%

Glare Cut Off 44°

Glare Comfort Cut Off 90°

** Photometry shown is correct for 3000K module. Please enquire for 2700K module output.

Colour Temperature 2700K | 3000K

CRI 92 Typ

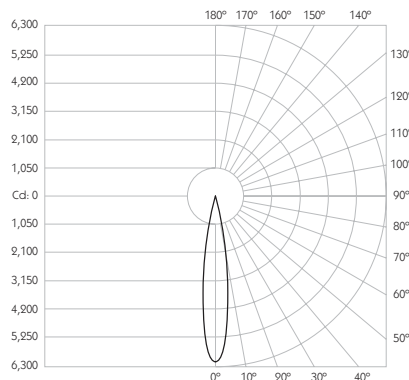
TM-30 Rf: 90 Rg: 99

Beam Angle 15°

Gear Type Dimmable Options Available

Gear Location Remote

Product Photometry independently tested in accordance with LM-79



Beam Angle	Beam Diameter (m)	Illuminance (lx)
15°	0.26m	6,047 lx
15°	0.53m	1,152 lx
15°	0.79m	672 lx
15°	1.05m	378 lx
15°	1.32m	242 lx

Luminaire Code	Finish	CCT	CRI	Beam Angle
RCD-636	BK Black WH White	27 2700K 30 3000K	92 92 CRI	15 15° Spot

RCD-636	-	-	92	15
---------	---	---	----	----

PRECISION
LIGHTING

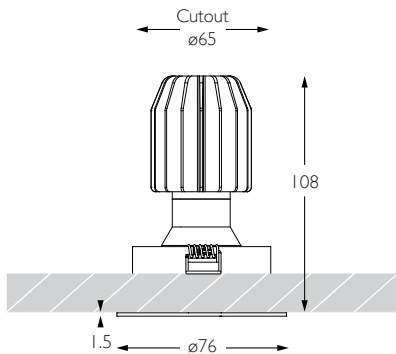
SALES@PRECISIONLIGHTING.CO.UK
WWW.PRECISIONLIGHTING.CO.UK

42 RIVERSIDE ROAD
LONDON SW17 0BA
t. +44 (0) 20 8947 6616
f. +44 (0) 20 8286 6626

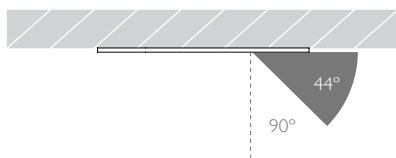
MINIMO 16 | ADJUSTABLE

Luminaires
spec sheet RCD-636

FLOOD | FLAT BEZEL | PINHOLE APERTURE

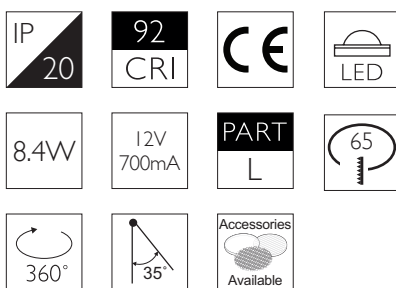


Glare Diagram



Cut Off: 44°

Glare Comfort Cut Off: 90°



Technical Description

Minimo 16 Adjustable is a compact recessed LED luminaire offering full adjustability with 360° pan and 35° tilt without breaking the ceiling line. Minimo 16 is perfect for use in colour-critical applications with 92CRI delivered from a single source LED module and available in two colour temperatures as standard. Tool-less, site changeable beam angles allow flexibility in varying environments. Machined from aerospace grade 6063-T6 aluminium, Minimo 16 Adjustable features a flat, discreet bezel and 33mm pinhole aperture for a minimal and extremely low glare solution. Minimo 16 Adjustable delivers a lumen package of 665lm at 8.4W.

Mechanical

Category Interior use only IP20

Material Machined Aluminium

Configuration Flat | Pinhole Aperture

Cutout ø65mm

Ceiling Thickness 3 - 25mm

Ceiling Void 20mm above module

Pan 360° **Tilt** 35°

Weight 247g

Finishes

Finishes Black | White *

* Please enquire as to the availability of non-standard Finishes

Optical

System Power 8.4W

Module Output 665lm**

Absolute Output 569lm**

LOR 86%

Glare Cut Off 44°

Glare Comfort Cut Off 90°

** Photometry shown is correct for 3000K module. Please enquire for 2700K module output.

Colour Temperature 2700K | 3000K

CRI 92 Typ

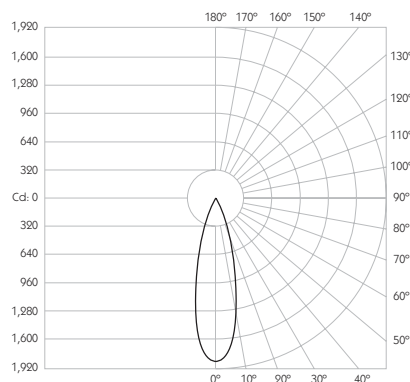
TM-30 Rf: 90 Rg: 99

Beam Angle 25°

Gear Type Dimmable Options Available

Gear Location Remote

Product Photometry independently tested in accordance with LM-79



Distance	Beam Diameter	Illuminance (lx)
1m	0.44m	1,834 lx
2m	0.89m	458 lx
3m	1.33m	204 lx
4m	1.77m	115 lx
5m	2.22m	73 lx

Luminaire Code

RCD-636

Finish

BK

Black

WH

White

CCT

27

2700K

30

3000K

CRI

92

92 CRI

Beam Angle

25

25° Flood

RCD-636

92

25

PRECISION
LIGHTING

SALES@PRECISIONLIGHTING.CO.UK

WWW.PRECISIONLIGHTING.CO.UK

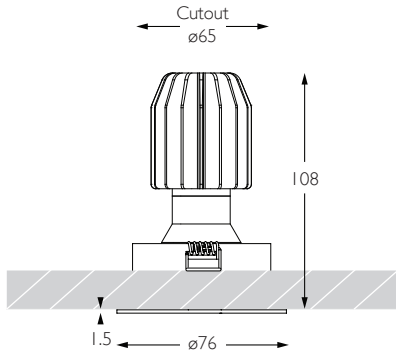
42 RIVERSIDE ROAD
LONDON SW17 0BA

t. +44 (0) 20 8947 6616
f. +44 (0) 20 8286 6626

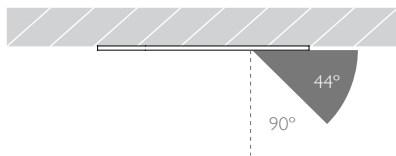
MINIMO 16 | ADJUSTABLE

Luminaires
spec sheet RCD-636

WIDE FLOOD | FLAT BEZEL | PINHOLE APERTURE

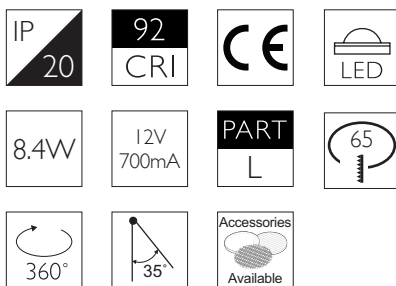


Glare Diagram



Cut Off: 44°

Glare Comfort Cut Off: 90°



Technical Description

Minimo 16 Adjustable is a compact recessed LED luminaire offering full adjustability with 360° pan and 35° tilt without breaking the ceiling line. Minimo 16 is perfect for use in colour-critical applications with 92CRI delivered from a single source LED module and available in two colour temperatures as standard. Tool-less, site changeable beam angles allow flexibility in varying environments. Machined from aerospace grade 6063-T6 aluminium, Minimo 16 Adjustable features a flat, discreet bezel and 33mm pinhole aperture for a minimal and extremely low glare solution. Minimo 16 Adjustable delivers a lumen package of 665lm at 8.4W.

Mechanical

Category Interior use only IP20

Material Machined Aluminium

Configuration Flat | Pinhole Aperture

Cutout \varnothing 65mm

Ceiling Thickness 3 - 25mm

Ceiling Void 20mm above module

Pan 360° **Tilt** 35°

Weight 247g

Finishes

Finishes Black | White *

* Please enquire as to the availability of non-standard Finishes

Optical

System Power 8.4W

Module Output 665lm**

Absolute Output 544lm**

LOR 82%

Glare Cut Off 44°

Glare Comfort Cut Off 90°

** Photometry shown is correct for 3000K module. Please enquire for 2700K module output.

Colour Temperature 2700K | 3000K

CRI 92 Typ

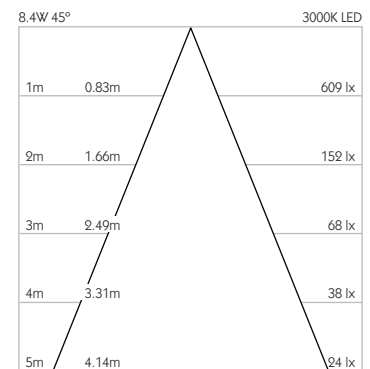
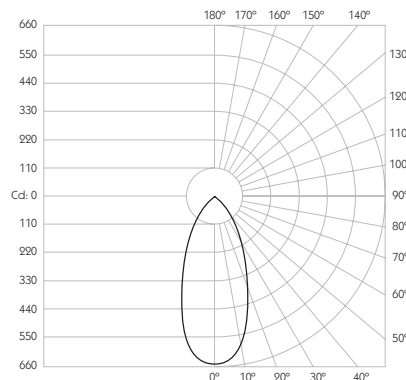
TM-30 Rf: 90 Rg: 99

Beam Angle 45°

Gear Type Dimmable Options Available

Gear Location Remote

Product Photometry independently tested in accordance with LM-79



Luminaire Code

RCD-636

Finish

BK
WH

Black
White

CCT

27
30

2700K
3000K

CRI

92

92 CRI

Beam Angle

45

45° Wide Flood

RCD-636

92

45

PRECISION
LIGHTING

SALES@PRECISIONLIGHTING.CO.UK
WWW.PRECISIONLIGHTING.CO.UK

42 RIVERSIDE ROAD
LONDON SW17 0BA
t. +44 (0) 20 8947 6616
f. +44 (0) 20 8286 6626

Version 10.16