



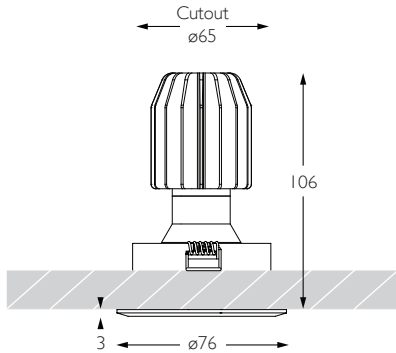




# MINIMO 16 | IP54 ADJUSTABLE

Luminaires  
spec sheet RC-637

FLOOD | CHAMFERED BEZEL

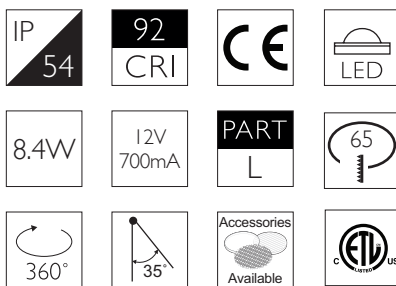


Glare Diagram



Cut Off: 36°

Glare Comfort Cut Off: 80°



## Technical Description

Minimo 16 Adjustable is an IP54 recessed LED luminaire offering full adjustability with 360° pan and 35° tilt without breaking the ceiling line. Minimo 16 is perfect for use in colour-critical applications with 92CRI delivered from a single source LED module and available in two colour temperatures as standard. Tool-less, site changeable beam angles allow flexibility in varying environments. Machined from aerospace grade 6063-T6 aluminium or brass, Minimo 16 Adjustable features a chamfered bezel with a choice of six finishes and an interchangeable decorative aperture available in three finishes for complete aesthetic integration. Minimo 16 Adjustable delivers a lumen package of 665lm at 8.4W.

## Mechanical

**Category** Interior use only IP54

**Material** Machined Aluminium | Brass

**Configuration** Chamfered Aperture

**Cutout** ø65mm

**Ceiling Thickness** 3 - 25mm

**Ceiling Void** 20mm above module

**Pan** 360° **Tilt** 35°

**Weight** AL BK WH - 252g | RB PB CH - 281g

## Finishes

**Bezel Finishes** Aluminium | Black | White | Rubbed Bronze | Polished Brass | Chrome | \*

**Aperture Finishes** Black | White | Satin Brass | \*

\* Please enquire as to the availability of non-standard Finishes

## Optical

**System Power** 8.4W

**Module Output** 665lm\*\*

**Absolute Output** 569lm\*\*

**LOR** 86%

**Glare Cut Off** 36°

**Glare Comfort Cut Off** 80°

\*\* Photometry shown is correct for 3000K module. Please enquire for 2700K module output.

**Colour Temperature** 2700K | 3000K

**CRI** 92 Typ

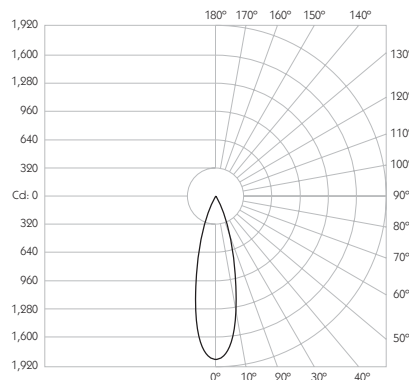
**TM-30** Rf: 90 Rg: 99

**Beam Angle** 25°

**Gear Type** Dimmable Options Available

**Gear Location** Remote

Product Photometry independently tested in accordance with LM-79



Distance	Beam Diameter	Illuminance (lx)
1m	0.44m	1,834 lx
2m	0.89m	458 lx
3m	1.33m	204 lx
4m	1.77m	115 lx
5m	2.22m	73 lx

Luminaire Code

RC-637

Bezel Finish

AL	Brushed Aluminium
WH	White
BK	Black
RB	Rubbed Bronze
PB	Polished Brass
CH	Polished Chrome

Aperture Finish

BK	Black
WH	White
SB	Satin Brass

CCT

27	2700K
30	3000K

CRI

92

92 CRI

Beam Angle

25

25° Flood

RC-637

PRECISION  
LIGHTING

SALES@PRECISIONLIGHTING.CO.UK

WWW.PRECISIONLIGHTING.CO.UK

42 RIVERSIDE ROAD  
LONDON SW17 0BA

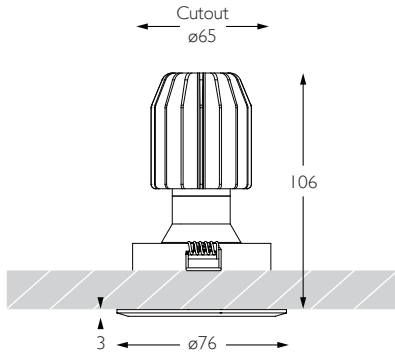
t. +44 (0) 20 8947 6616  
f. +44 (0) 20 8286 6626

Version 10.16

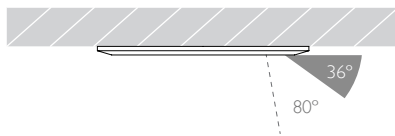
# MINIMO 16 | IP54 ADJUSTABLE

Luminaires  
spec sheet RC-637

WIDE FLOOD | CHAMFERED BEZEL

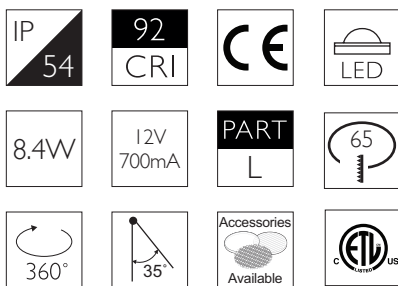


Glare Diagram



Cut Off: 36°

Glare Comfort Cut Off: 80°



## Technical Description

Minimo 16 Adjustable is an IP54 recessed LED luminaire offering full adjustability with 360° pan and 35° tilt without breaking the ceiling line. Minimo 16 is perfect for use in colour-critical applications with 92CRI delivered from a single source LED module and available in two colour temperatures as standard. Tool-less, site changeable beam angles allow flexibility in varying environments. Machined from aerospace grade 6063-T6 aluminium or brass, Minimo 16 Adjustable features a chamfered bezel with a choice of six finishes and an interchangeable decorative aperture available in three finishes for complete aesthetic integration. Minimo 16 Adjustable delivers a lumen package of 665lm at 8.4W.

## Mechanical

**Category** Interior use only IP54  
**Material** Machined Aluminium | Brass  
**Configuration** Chamfered Aperture  
**Cutout**  $\varnothing$ 65mm  
**Ceiling Thickness** 3 - 25mm  
**Ceiling Void** 20mm above module  
**Pan** 360° **Tilt** 35°  
**Weight** AL BK WH - 252g | RB PB CH - 281g

## Finishes

**Bezel Finishes** Aluminium | Black | White | Rubbed Bronze | Polished Brass | Chrome | \*

**Aperture Finishes** Black | White | Satin Brass | \*

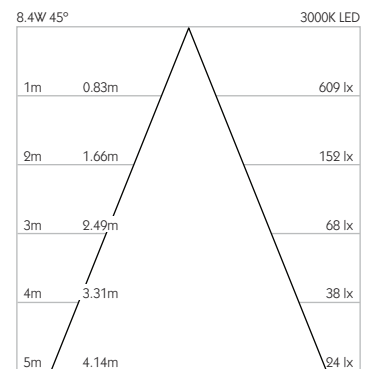
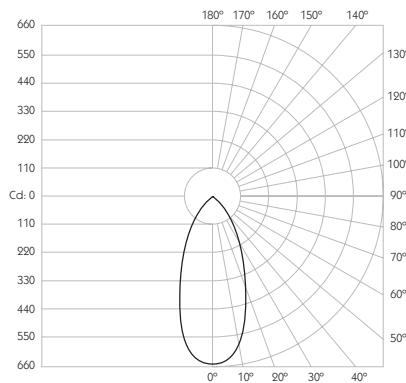
\* Please enquire as to the availability of non-standard Finishes

## Optical

**System Power** 8.4W  
**Module Output** 665lm\*\*  
**Absolute Output** 544lm\*\*  
**LOR** 82%  
**Glare Cut Off** 36°  
**Glare Comfort Cut Off** 80°  
**Colour Temperature** 2700K | 3000K  
**CRI** 92 Typ  
**TM-30** Rf: 90 Rg: 99  
**Beam Angle** 45°  
**Gear Type** Dimmable Options Available  
**Gear Location** Remote

\*\* Photometry shown is correct for 3000K module. Please enquire for 2700K module output.

Product Photometry independently tested in accordance with LM-79



Luminaire Code	Bezel Finish	Aperture Finish	CCT	CRI	Beam Angle																										
RC-637	<table border="1"> <tr><td>AL</td><td>Brushed Aluminium</td></tr> <tr><td>WH</td><td>White</td></tr> <tr><td>BK</td><td>Black</td></tr> <tr><td>RB</td><td>Rubbed Bronze</td></tr> <tr><td>PB</td><td>Polished Brass</td></tr> <tr><td>CH</td><td>Polished Chrome</td></tr> </table>	AL	Brushed Aluminium	WH	White	BK	Black	RB	Rubbed Bronze	PB	Polished Brass	CH	Polished Chrome	<table border="1"> <tr><td>BK</td><td>Black</td></tr> <tr><td>WH</td><td>White</td></tr> <tr><td>SB</td><td>Satin Brass</td></tr> </table>	BK	Black	WH	White	SB	Satin Brass	<table border="1"> <tr><td>27</td><td>2700K</td></tr> <tr><td>30</td><td>3000K</td></tr> </table>	27	2700K	30	3000K	<table border="1"> <tr><td>92</td><td>92 CRI</td></tr> </table>	92	92 CRI	<table border="1"> <tr><td>45</td><td>45° Wide Flood</td></tr> </table>	45	45° Wide Flood
AL	Brushed Aluminium																														
WH	White																														
BK	Black																														
RB	Rubbed Bronze																														
PB	Polished Brass																														
CH	Polished Chrome																														
BK	Black																														
WH	White																														
SB	Satin Brass																														
27	2700K																														
30	3000K																														
92	92 CRI																														
45	45° Wide Flood																														
RC-637	-	-	-	92	45																										

PRECISION  
LIGHTING

SALES@PRECISIONLIGHTING.CO.UK  
WWW.PRECISIONLIGHTING.CO.UK

42 RIVERSIDE ROAD  
LONDON SW17 0BA  
t. +44 (0) 20 8947 6616  
f. +44 (0) 20 8286 6626