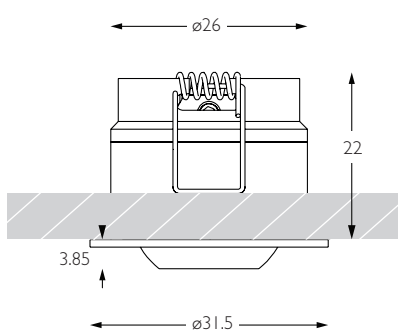


NARROW SPOT



Technical Description

Atto eye is a miniature recessed, display orientated LED spotlight that comes as standard in white, black and brushed aluminium finishes. It has four site changeable optics for flexible distribution. The narrow spot beam in our 1W 102lm module has a peak intensity of 794cd. The Atto eye has 360 rotation and 30 degree tilt.

Mechanical & Electrical

Category Interior use only IP20

Weight 21g

Material Aluminium I Brass

Ceiling Void 20mm above module

Cutout 26 - 27mm

Forward Voltage 3V

Ceiling Thickness 3 - 17mm

Current 350mA

Finishes

Finishes Brushed Aluminium I Black I White I Brass I Custom*

* Please enquire as to the availability of non-standard Finishes

Optical

System Power 1W

Colour Temperature 3000K*

Module Output 102lm*

CRI 95 TYP

Absolute Output 94lm

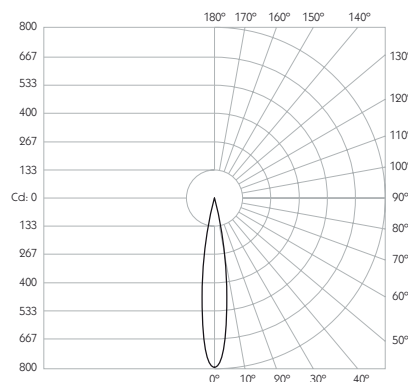
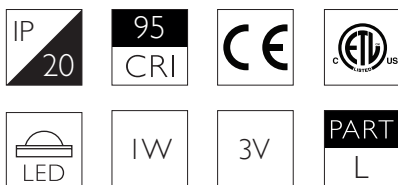
TM-30 RF: 93 RG: 99

LOR 92

Beam Angle 16°

Gear Type Dimmable available

** Photometry shown is correct for 3000K module. Please enquire for 2700K module output.



1.0W 16°		3000K LED	
0.25m	0.07m	12,701 lx	
0.50m	0.14m	3,175 lx	
1.00m	0.28m	794 lx	
2.00m	0.56m	198 lx	
3.00m	0.84m	198 lx	

Spring Clips

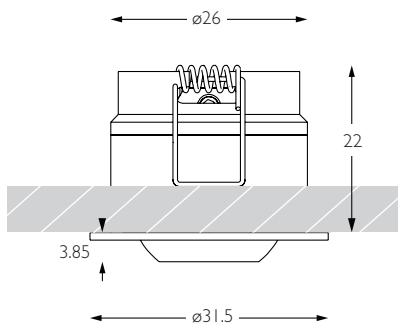
Brushed Aluminium	White 9010	Matte Anodised Black	Rubbed Bronze *	Polished Brass *	Brushed Brass *
RC-764-AL-XX9516	RC-764-WH-XX9516	RC-764-BA-XX9516	RC-764-RB-XX9516	RC-764-PB-XX9516	RC-764-SB-XX9516

For 3000K Substitute XX with 30

For 2700K Substitute XX with 27

*All Brass and Bronze finishes are made to order and subject to MOQ

MEDIUM



Technical Description

Atto eye is a miniature recessed, display orientated LED spotlight that comes as standard in white, black and brushed aluminium finishes. It has four site changeable optics for flexible distribution. The medium beam in our 1W 102lm module has a peak intensity of 359cd. The Atto eye has 360 rotation and 30 degree tilt.

Mechanical & Electrical

Category Interior use only IP20
Material Aluminium I Brass
Cutout 26 - 27mm
Ceiling Thickness 3 - 17mm

Weight 21g
Ceiling Void 20mm above module
Forward Voltage 3V
Current 350mA

Finishes

Finishes Brushed Aluminium I Black I White I Brass I Custom*

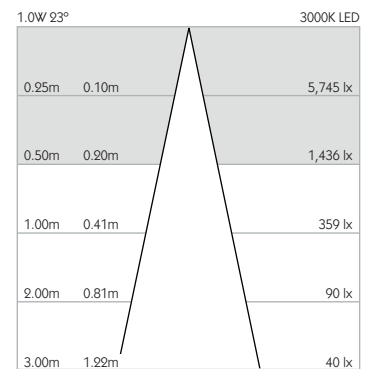
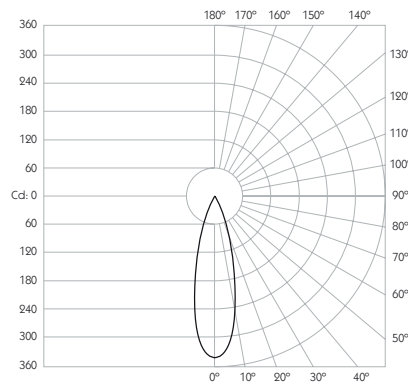
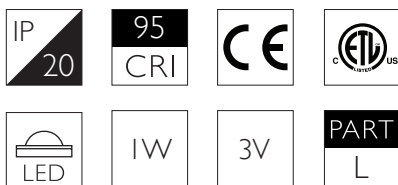
* Please enquire as to the availability of non-standard Finishes

Optical

System Power 1W
Module Output 102lm*
Absolute Output 92lm
LOR 90
Gear Type Dimmable available

Colour Temperature 3000K*
CRI 95 TYP
TM-30 RF: 93 RG: 99
Beam Angle 23°

** Photometry shown is correct for 3000K module. Please enquire for 2700K module output.



Spring Clips

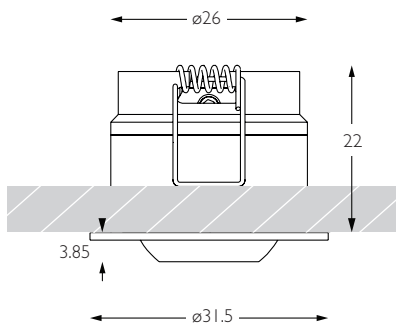
Brushed Aluminium	White 9010	Matte Anodised Black	Rubbed Bronze *	Polished Brass *	Brushed Brass *
RC-764-AL-XX9523	RC-764-WH-XX9523	RC-764-BA-XX9523	RC-764-RB-XX9523	RC-764-PB-XX9523	RC-764-SB-XX9523

For 3000K Substitute XX with 30

For 2700K Substitute XX with 27

*All Brass and Bronze finishes are made to order and subject to MOQ

FLOOD



Technical Description

Atto eye is a miniature recessed, display orientated LED spotlight that comes as standard in white, black and brushed aluminium finishes. It has four site changeable optics for flexible distribution. The flood beam in our 1W 102lm module has a peak intensity of 109cd. The Atto eye has 360 rotation and 30 degree tilt.

Mechanical & Electrical

Category Interior use only IP20

Weight 21g

Material Aluminium I Brass

Ceiling Void 20mm above module

Cutout 26 - 27mm

Forward Voltage 3V

Ceiling Thickness 3 - 17mm

Current 350mA

Finishes

Finishes Brushed Aluminium I Black I White I Brass I Custom*

* Please enquire as to the availability of non-standard Finishes

Optical

System Power 1W

Colour Temperature 3000K*

Module Output 102lm*

CRI 95 TYP

Absolute Output 93lm

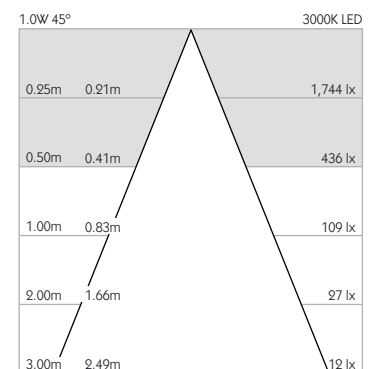
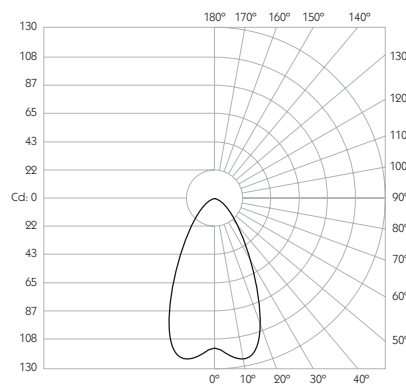
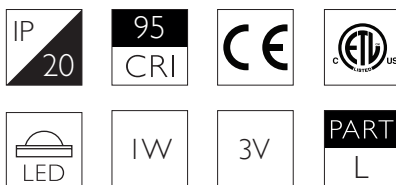
TM-30 RF: 93 RG: 99

LOR 91

Beam Angle 45°

Gear Type Dimmable available

** Photometry shown is correct for 3000K module. Please enquire for 2700K module output.

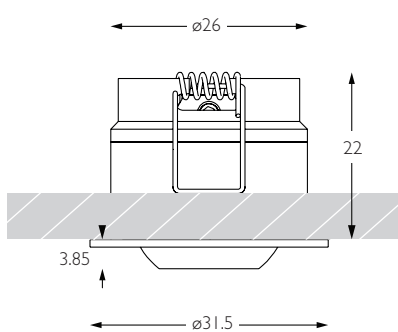


Finish	Part Number
Brushed Aluminium	RC-764-AL-XX9545
White 9010	RC-764-WH-XX9545
Matte Anodised Black	RC-764-BA-XX9545
Rubbed Bronze *	RC-764-RB-XX9545
Polished Brass *	RC-764-PB-XX9545
Brushed Brass *	RC-764-SB-XX9545

For 3000K Substitute XX with 30 - For 2700K Substitute XX with 27

*All Brass and Bronze finishes are made to order and subject to MOQ

WIDE FLOOD



Technical Description

Atto eye is a miniature recessed, display orientated LED spotlight that comes as standard in white, black and brushed aluminium finishes. It has four site changeable optics for flexible distribution. The wide flood beam in our 1W 102lm module has a peak intensity of 26cd. The Atto eye has 360 rotation and 30 degree tilt.

Mechanical & Electrical

Category Interior use only IP20

Material Aluminium I Brass

Cutout 26 - 27mm

Ceiling Thickness 3 - 17mm

Weight 21g

Ceiling Void 20mm above module

Forward Voltage 3V

Current 350mA

Finishes

Finishes Brushed Aluminium I Black I White I Brass I Custom*

* Please enquire as to the availability of non-standard Finishes

Optical

System Power 1W

Module Output 102lm*

Absolute Output 69lm

LOR 68

Gear Type Dimmable available

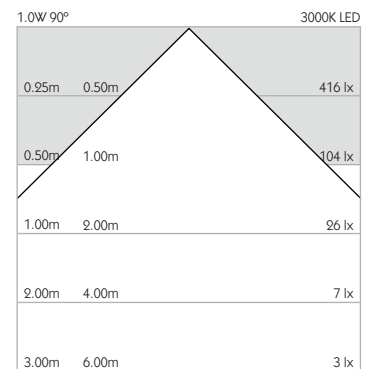
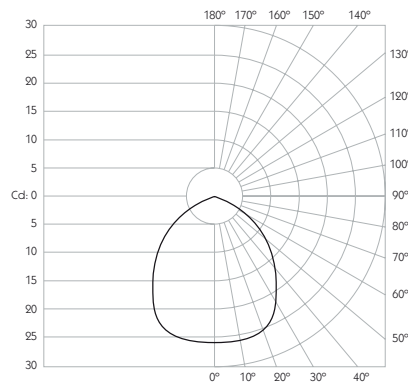
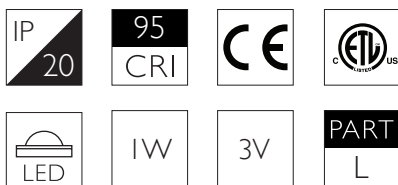
Colour Temperature 3000K*

CRI 95 TYP

TM-30 RF: 93 RG: 99

Beam Angle 90°

** Photometry shown is correct for 3000K module. Please enquire for 2700K module output.



Finish	Part Number
Brushed Aluminium	RC-764-AL-XX9590
White 9010	RC-764-WH-XX9590
Matte Anodised Black	RC-764-BA-XX9590
Rubbed Bronze *	RC-764-RB-XX9590
Polished Brass *	RC-764-PB-XX9590
Brushed Brass *	RC-764-SB-XX9590

For 3000K Substitute XX with 30 - For 2700K Substitute XX with 27

*All Brass and Bronze finishes are made to order and subject to MOQ