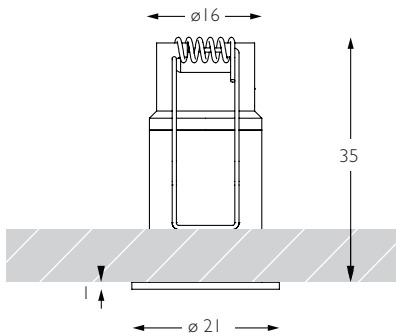


## NARROW SPOT



### TECHNICAL DESCRIPTION

Atto R is a miniature deep recessed, display orientated LED spotlight that comes as standard in white, black and brushed aluminium finishes. It has three site changeable optics for flexible distribution. The narrow spot beam in our 1.1W 102lm module has a peak intensity of 794cd. The Atto R has a fixed vertical light engine.

### MECHANICAL & ELECTRICAL

**CATEGORY** Interior use only IP20

**MATERIAL** Machined Aluminium 6063-T6 | Machined

Brass

**WEIGHT** 14g

**CUTOUT** 16-17mm

**CEILING VOID** 20mm above module

**CEILING THICKNESS** 3-29mm

**PAN** N/A°

**TILT** N/A°

**FORWARD VOLTAGE** 3.2V

**CURRENT** 350mA

**SUPPLY TYPE** Constant Current

**DIMMING** Dimming available

### FINISHES

**FINISHES** Brushed Aluminium | White RAL9010 | Matte Anodised Black | Rubbed Bronze\* | Polished Brass\* | Brushed Brass\*

\*All premium & custom finishes are built & finished to order. These are subject to an extended lead time & MOQ

### OPTICAL

**SYSTEM POWER** 1.1W

**MODULE OUTPUT** 102lm\*\*

**ABSOLUTE OUTPUT** 94lm

**LOR** 92%

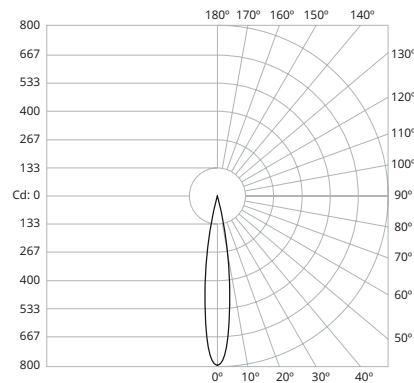
**COLOUR TEMPERATURE** 2700K | 3000K

**CRI** 95 TYP

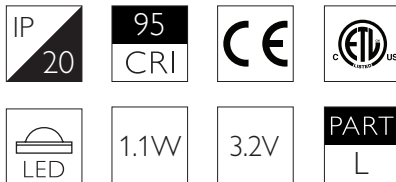
**TM-30** RF: 93 RG: 99

**BEAM ANGLE** 16°

\*\*Photometry shown is correct for 3000K module. Please enquire for 2700K module output.



1.1W 16°		3000K LED
0.25m	0.07m	12,701 lx
0.50m	0.14m	3,175 lx
1.00m	0.28m	794 lx
2.00m	0.56m	198 lx
3.00m	0.84m	88 lx



White RAL9010	Matte Anodised Black	Brushed Aluminium	Rubbed Bronze *	Polished Brass *	Brushed Brass *
RC-765-WH-XX9516	RC-765-EBA-XX9516	RC-765-AL-XX9516	RC-765-RB-XX9516	RC-765-PB-XX9516	RC-765-SB-XX9516

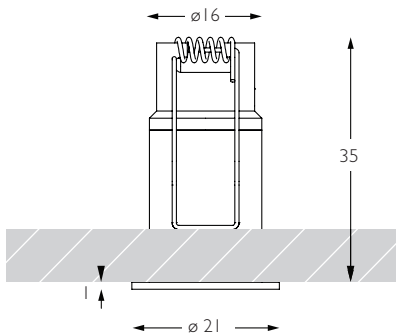
\*All premium & custom finishes are built & finished to order. These are subject to an extended lead time & MOQ

For 3000K Substitute XX with 30

-

For 2700K Substitute XX with 27

MEDIUM



## TECHNICAL DESCRIPTION

Atto R is a miniature deep recessed, display orientated LED spotlight that comes as standard in white, black and brushed aluminium finishes. It has three site changeable optics for flexible distribution. The medium beam in our 1.1W 102lm module has a peak intensity of 359cd. The Atto R has a fixed vertical light engine.

## MECHANICAL & ELECTRICAL

**CATEGORY** Interior use only IP20

**MATERIAL** Machined Aluminium 6063-T6 | Machined

Brass

**WEIGHT** 14g

**CUTOUT** 16-17mm

**CEILING VOID** 20mm above module

**CEILING THICKNESS** 3-29mm

**PAN** N/A°

**TILT** N/A°

**FORWARD VOLTAGE** 3.2V

**CURRENT** 350mA

**SUPPLY TYPE** Constant Current

**DIMMING** Dimming available

## FINISHES

**FINISHES** Brushed Aluminium | White RAL9010 | Matte Anodised Black | Rubbed Bronze\* | Polished Brass\* | Brushed Brass\*

\*All premium & custom finishes are built & finished to order. These are subject to an extended lead time & MOQ

## OPTICAL

**SYSTEM POWER** 1.1W

**MODULE OUTPUT** 102lm\*\*

**ABSOLUTE OUTPUT** 92lm

**LOR** 93%

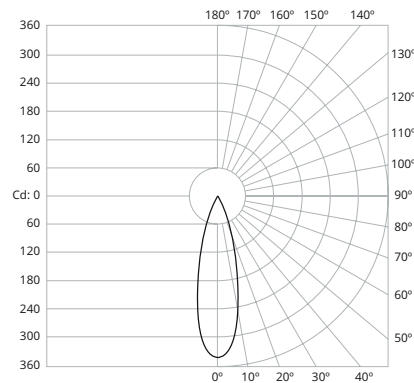
**COLOUR TEMPERATURE** 2700K | 3000K

**CRI** 95 TYP

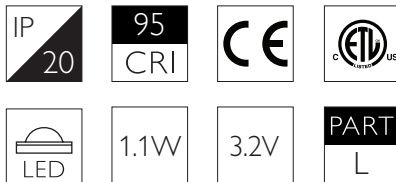
**TM-30** RF: 93 RG: 99

**BEAM ANGLE** 23°

\*\*Photometry shown is correct for 3000K module. Please enquire for 2700K module output.



Distance (m)	Beam Diameter (m)	Illuminance (lx)
0.25	0.10	5,745 lx
0.50	0.20	1,436 lx
1.00	0.41	359 lx
2.00	0.81	90 lx
3.00	1.22	40 lx



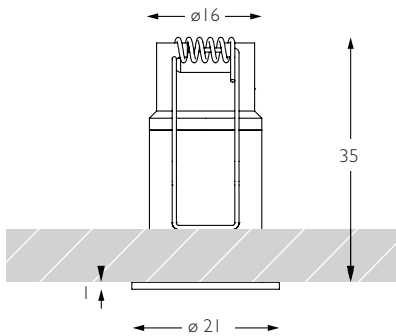
White RAL9010	Matte Anodised Black	Brushed Aluminium	Rubbed Bronze *	Polished Brass *	Brushed Brass *
RC-765-WH-XX9523	RC-765-EBA-XX9523	RC-765-AL-XX9523	RC-765-RB-XX9523	RC-765-PB-XX9523	RC-765-SB-XX9523

\*All premium & custom finishes are built & finished to order. These are subject to an extended lead time & MOQ

For 3000K Substitute XX with 30

For 2700K Substitute XX with 27

## FLOOD



### TECHNICAL DESCRIPTION

Atto R is a miniature deep recessed, display orientated LED spotlight that comes as standard in white, black and brushed aluminium finishes. It has three site changeable optics for flexible distribution. The flood beam in our 1.1W 102lm module has a peak intensity of 109cd. The Atto R has a fixed vertical light engine.

### MECHANICAL & ELECTRICAL

**CATEGORY** Interior use only IP20

**MATERIAL** Machined Aluminium 6063-T6 | Machined

Brass

**WEIGHT** 14g

**CUTOUT** 16-17mm

**CEILING VOID** 20mm above module

**CEILING THICKNESS** 3-29mm

**PAN** N/A°

**TILT** N/A°

**FORWARD VOLTAGE** 3.2V

**CURRENT** 350mA

**SUPPLY TYPE** Constant Current

**DIMMING** Dimming available

### FINISHES

**FINISHES** Brushed Aluminium | White RAL9010 | Matte Anodised Black | Rubbed Bronze\* | Polished Brass\* | Brushed Brass\*

\*All premium & custom finishes are built & finished to order. These are subject to an extended lead time & MOQ

### OPTICAL

**SYSTEM POWER** 1.1W

**MODULE OUTPUT** 102lm\*\*

**ABSOLUTE OUTPUT** 93lm

**LOR** 93%

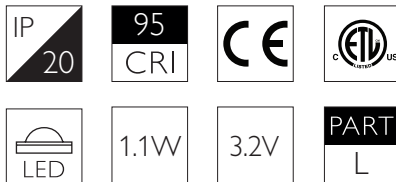
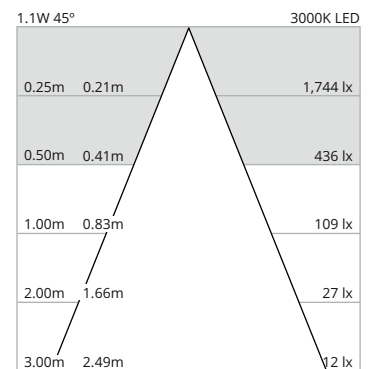
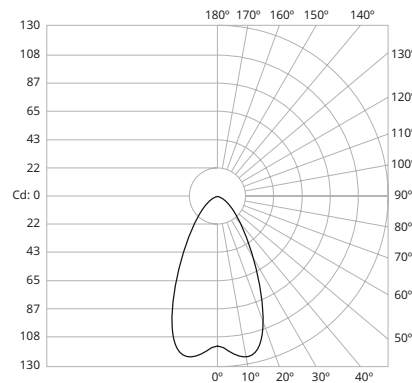
**COLOUR TEMPERATURE** 2700K | 3000K

**CRI** 95 TYP

**TM-30** RF: 93 RG: 99

**BEAM ANGLE** 45°

\*\*Photometry shown is correct for 3000K module. Please enquire for 2700K module output.



White RAL9010	Matte Anodised Black	Brushed Aluminium	Rubbed Bronze *	Polished Brass *	Brushed Brass *
RC-765-WH-XX9545	RC-765-EBA-XX9545	RC-765-AL-XX9545	RC-765-RB-XX9545	RC-765-PB-XX9545	RC-765-SB-XX9545

\*All premium & custom finishes are built & finished to order. These are subject to an extended lead time & MOQ

For 3000K Substitute XX with 30

For 2700K Substitute XX with 27