

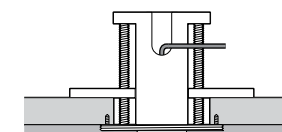
As well as our track systems, we also manufacture a range of Monopoints: single fixing points for all our jack plug luminaires. The five Monopoint variations cover all the different installation requirements and are available in our full range of finishes. The Trimless Monopoint provides a virtually invisible power point in plasterboard or lath and plaster ceilings. Spotlights can then be installed, or the point can be covered with a discreet plug when not in use. The Power Monopoint contains an integral transformer, for when there is no ceiling void. The Flat Monopoint allows for installation where there is a standard ceiling void. The Node Monopoint is designed to be fitted to display panels or upstands. Finally, the Surface Monopoint is ideal for fixing to beams and other surfaces where no part of the point can be recessed.



Trimless Monopoint

- Concealed 12V power point
- Simple Installation
- Remote transformer
- Canopies also available
- Discreet finishing plug

- Rating: 75W at 12V
- Finishes*: AL | RB | BK | WH
- Mass: 135g
- Visible Dims: \varnothing 19mm hole



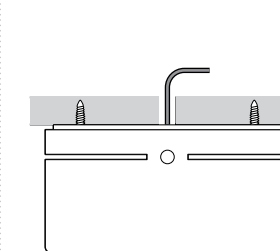
*when using canopy



Power Monopoint

- Surface mounted
- Use with no ceiling void
- 50W integral transformer
- Compatible with BESA box
- 75W version available

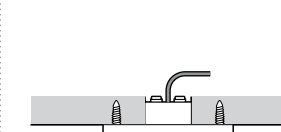
- Rating: 60W at 12V
- Finishes: AL | RB | BK | WH
- Mass: AL - 220g | RB - 380g
- Visible Dims: \varnothing 92 x 52mm



Flat Monopoint

- Standard ceiling mount
- Use with ceiling void
- Remote or local transformer
- Compatible with BESA box

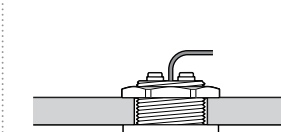
- Rating: 75W at 12V
- Finishes*: AL | RB | BK | WH
- Mass: 45g
- Visible Dims: \varnothing 62 x 5mm



Node Monopoint

- Panel mount
- For materials up to 12mm
- Remote or local transformer
- Minimal design

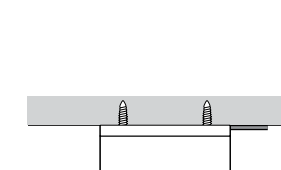
- Rating: 75W at 12V
- Finishes: AL | RB | BK | WH
- Mass: AL - 30g | RB - 90g
- Visible Dims: \varnothing 35 x 4mm



Surface Monopoint

- Surface mounted
- Use with no ceiling void
- Remote or local transformer
- Compatible with BESA box

- Rating: 75W at 12V
- Finishes: AL | RB | BK | WH
- Mass: AL - 90g | RB - 210g
- Visible Dims: \varnothing 62 x 22mm

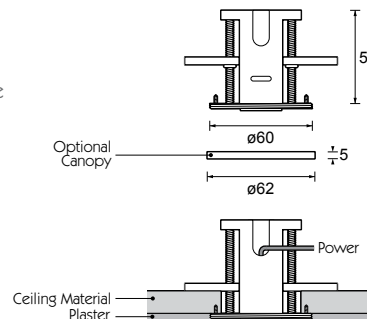




Created to answer a specific design requirement in a Grade I listed building, the Trimless Monopoint creates a minimal jack plug point for our range of spotlights. Plastering up to the jack plug leaves a 19mm hole that can be concealed with a flush decorative cap when not in use. Alternatively, a discreet 62mm finishing Canopy can be fitted over the front. This Canopy is available in brushed aluminium, rubbed bronze, black and white finishes, with custom finishes available on request.



Category Interior use only IP20
Materials Machined Aluminium
Canopy Finish Brushed Aluminium | Rubbed Bronze | Black | White
System Jack Plug Connector
Rating 75W at 12V
Cut Out ø45mm
Maximum Material Thickness 40mm
Hole Centres NA
Weight AL - 135g



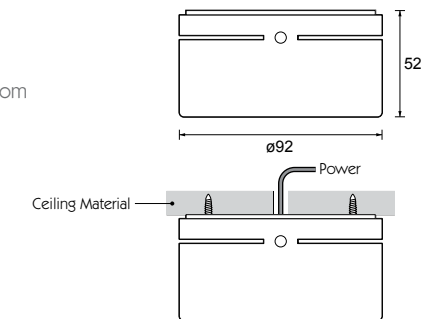
	EVO	EVOR	EVOS	RETRO	MICROSPOT C	MICROSPOT S	MICROSPOT L	RADAR	ROTOR	DEMILUMEN	MAXILUMEN
Brushed Aluminium	•	•	•	•	•	•	•	•	•	•	•
Rubbed Bronze	•	•	•	•	•	•	•	•	•	•	•
Black	•	•	•	•	•	•	•	•	•	•	•
White	•	•	•	•	•	•	•	•	•	•	•



The Power Monopoint incorporates an integral transformer and features the jack plug system. The removable canopy prevents damage to the surface finish and simplifies installation. It is available in our standard brushed aluminium, rubbed bronze, black and white finishes, with custom finishes available on request. A screw-in plug is available for when the monopoint is not in use. Ideal for use with a BESA box.



Category Interior use only IP20
Materials Machined Aluminium | Machined Brass
Finish Brushed Aluminium | Rubbed Bronze | Black | White | Custom
System Jack Plug Connector
Rating 60W at 12V | 75W available on request
Cut Out N/A [Surface Mounted]
Maximum Material Thickness No Limit
Hole Centres 50 - 70mm
Weight AL | BK | WH - 220g | RB - 380g



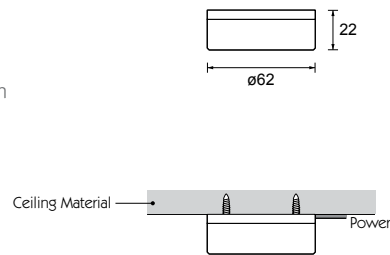
	EVO	EVOR	EVOS	RETRO	MICROSPOT C	MICROSPOT S	MICROSPOT L	RADAR	ROTOR	DEMILUMEN	MAXILUMEN
Brushed Aluminium	•	•	•	•	•	•	•	•	•	•	•
Rubbed Bronze	•	•	•	•	•	•	•	•	•	•	•
Black	•	•	•	•	•	•	•	•	•	•	•
White	•	•	•	•	•	•	•	•	•	•	•



The Surface Monopoint is designed for use on beams, walls and ceilings, where the jack plug system cannot be recessed into the mounting surface. It is powered by a remote transformer, and is available in brushed aluminium, rubbed bronze, black and white, with custom finishes available on request. Ideal for use with a BESA box.



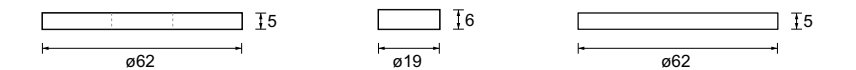
Category Interior use only IP20
Materials Machined Aluminium | Machined Brass
Finish Brushed Aluminium | Rubbed Bronze | Black | White | Custom
System Jack Plug Connector
Rating 75W at 12V
Cut Out N/A [Surface Mounted]
Maximum Material Thickness No Limit
Hole Centres 50mm
Weight AL - 90g | RB - 210g



	EVO	EVOR	EVOS	RETRO	MICROSPOT C	MICROSPOT S	MICROSPOT L	RADAR	ROTOR	DEMILUMEN	MAXILUMEN
Brushed Aluminium	•	•	•	•	•	•	•	•	•	•	•
Rubbed Bronze	•	•	•	•	•	•	•	•	•	•	•
Black	•	•	•	•	•	•	•	•	•	•	•
White	•	•	•	•	•	•	•	•	•	•	•



These decorative accessories are designed to complement our Monopoint range. The Monopoint Canopy is used when the Trimless Monopoint cannot be plastered in, providing a decorative ring to the fitting. There is also a version with no centre hole, to cover the jack plug when the fitting is not being used, that is compatible with the Trimless and Flat monopoints. The Monopoint Plug can be used with any of our Monopoints when they are not being used, to cover the jack plug.



Compatibility	MPS MPX	MPS MPT MPX MPY MPZ	MPS MPX
Weight [AL]	10g	5g	10g
Weight [RB]	25g		

	MONOPOINT CANOPY	MONOPOINT PLUG	SOLID MONOPOINT CANOPY
Brushed Aluminium	MPS-02-AL	MPS-03-AL	MPS-04-AL
Rubbed Bronze	MPS-02-RB	MPS-03-RB	MPS-04-RB
Black	MPS-02-BK	MPS-03-BK	MPS-04-BK
White	MPS-02-WH	MPS-03-WH	MPS-04-WH

