



**Category** Interior use only IP20

**Material** Machined Aluminium

**Finish** Brushed Aluminium

**System** Exhibition Fitting

**Lamp** MR16 [QR-CBC 51]

**Rating** 50W Max at 12V

**Gear Type** Remote

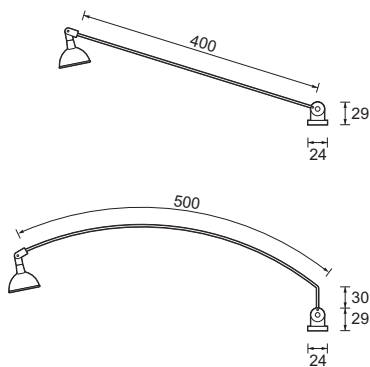
**Distance Between Screws** 51mm

**Accessories** [with optional accessory holder] Snoots | Louvres | Lenses

**Weight** AL - 180g



Phantamount is a minimal display lighting luminaire, designed to fit on top of display panels or picture frames. Available in brushed aluminium the phantamount comes with either curved or straight rods. It is adjustable at both the lamp socket and the base, and is compatible with our wide range of lenses, louvres and snoots.



CURVED ARM



STRAIGHT ARM

	MPN-570-1-C-AL	MPN-570-1-S-AL
■		
■		
■		

### Notes

For Phantamount snoots & accessory holders please see spec sheet 940.  
For Phantamount accessories please see spec sheet 900.