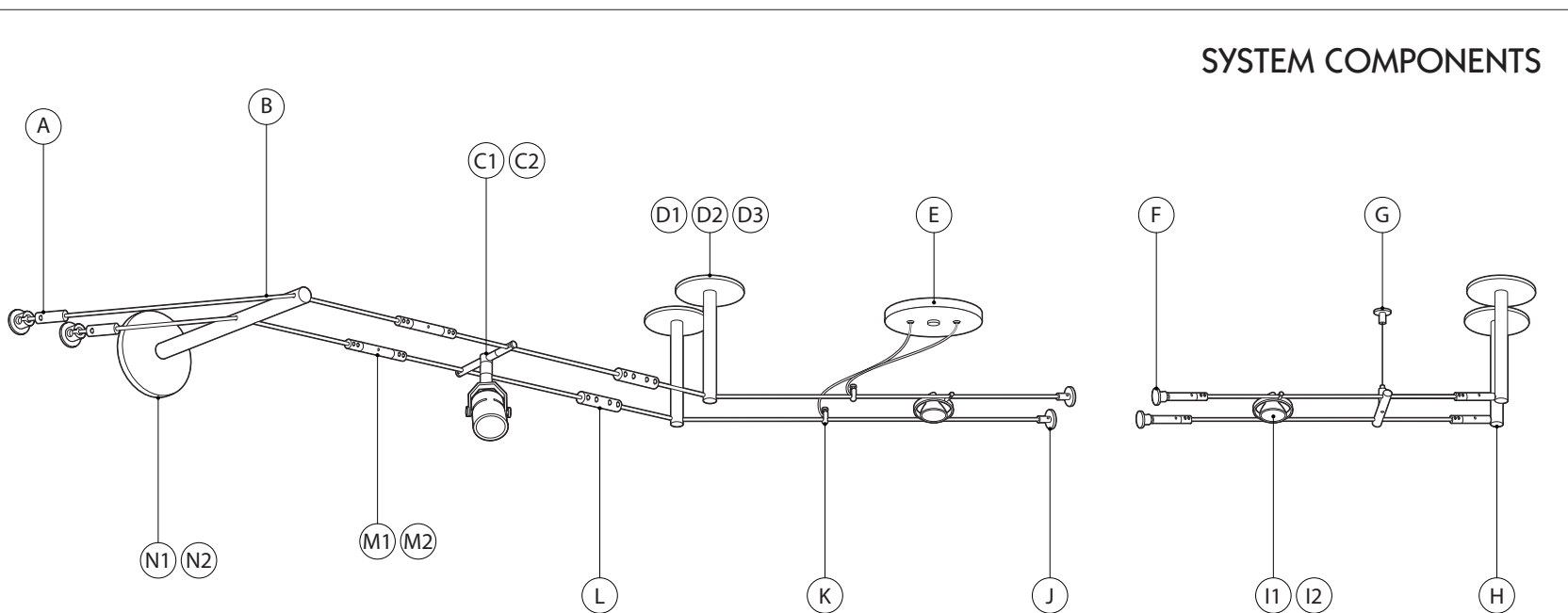


### IMPORTANT SAFETY INFORMATION

READ ALL INSTRUCTIONS BEFORE USING THESE PRODUCTS. SAVE THESE INSTRUCTIONS FOR LATER REFERENCE.

1. All systems must be installed by a suitably qualified professional only. Installations must conform to national installation and accident prevention regulations.
2. Do not install any fixture closer than 150mm from any combustible material. Do not install this system in a damp or wet location.
3. To reduce the risk of fire and burns, do not install this system where exposed bare conductors can be shorted or contact any conductive materials. Do not conceal or extend exposed conductors through a building wall.
4. No part of the secondary circuit should be earthed.
5. All connections on the secondary side of the power supply (low voltage side) must be tight. Bad connections can cause overheating, arcing and a potential fire risk.
6. Install only as described in this Precision Lighting manual. Appropriate fixings will need to be used depending on surface material at the installer's discretion.
7. Connect only Precision Lighting luminaires.
8. Ensure that the system is switched off at mains supply before touching.
9. Connected luminaires may be extremely hot, allow to cool before touching.
10. This is a low voltage system, it must be connected to an appropriate transformer.
11. Regular cleaning of this product is important. Switch off at mains supply and allow to cool before touching. Clean fittings with a soft damp cloth and allow to dry before reconnecting power supply.



Representational diagram. Actual setup may differ.

- |                                    |                                  |                               |                                   |
|------------------------------------|----------------------------------|-------------------------------|-----------------------------------|
| A. stud end [CA-303]               | D2. power bracket [CA-524]       | H. ceiling tumbuckle [CA-525] | L. isolator [CA-511]              |
| B. cable [CA-505]                  | D3. directional bracket [CA-526] | I1. demilumen [CA4-127]       | M1. inline tumbuckle [CA-309]     |
| C1. CA4 fitting connector [CA4-01] | E. power canopy [CA-509]         | I2. maxilumen [CA6-227]       | M2. isolating tumbuckle [CA-310]  |
| C2. CA6 fitting connector [CA6-01] | F. tumbuckle [CA-302]            | J. power anchor [CA-308]      | N1. horizontal standoff [CA4-334] |
| D1. ceiling bracket [CA-523]       | G. support bar [CA4-360]         | K. power bolt [CA-507]        | N2. horizontal standoff [CA6-334] |

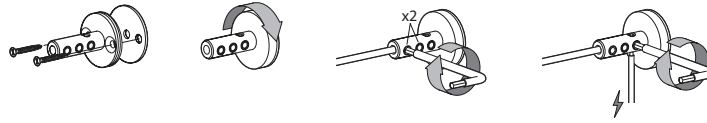
**NOTE** unless specified, components come in pairs (one per cable) and should be fitted in parallel. A number of components can be used to supply power to the system. Power supply is denoted by this ( ⚡ ) symbol.

**IMPORTANT** cable system available in two gauges. For CA4 (MR16) the distance between cables is 101mm. For CA4 (MR16) the distance between cables is 173mm.

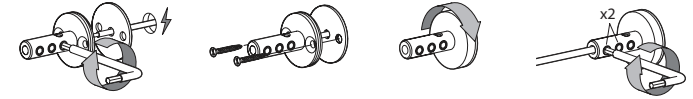
**1a. Power Anchor (side fed).**

- i. Attach Power Anchor to surface, ensuring it is fitted with insulating disc.
- ii. Fit screw cover, turning clockwise.
- iii. Connect cable using front **two** grub screws.
- iv. Connect wire using rear grub screw (optional).

1a.



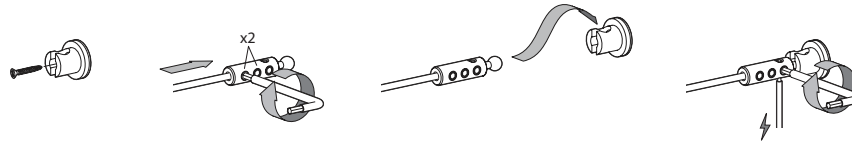
1b.



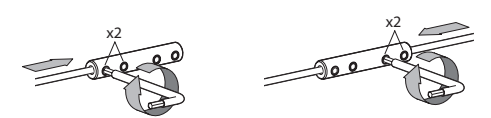
**1a. Power Anchor (rear fed).**

- i. Feed wire through insulating disc and connect using rear grub screw.
- ii. Attach Power Anchor to surface.
- iii. Fit screw cover, turning clockwise.
- iv. Connect cable using front **two** grub screws.

2.



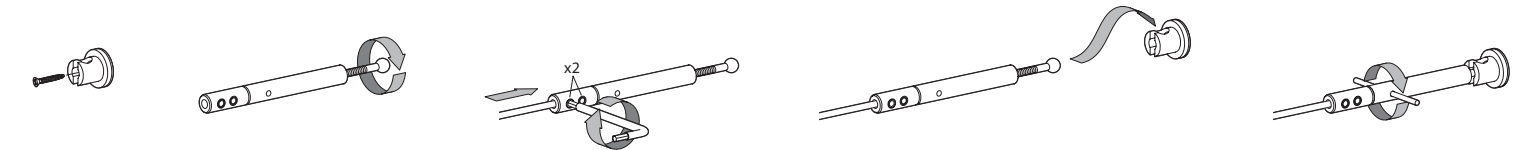
3.



**2. Stud End.**

- i. Attach Stud End to surface, ensuring correct orientation.
- ii. Connect cable using front **two** grub screws.
- iii. Insert cable holder into Stud End.
- iv. Connect wire using rear grub screw (optional).

4.



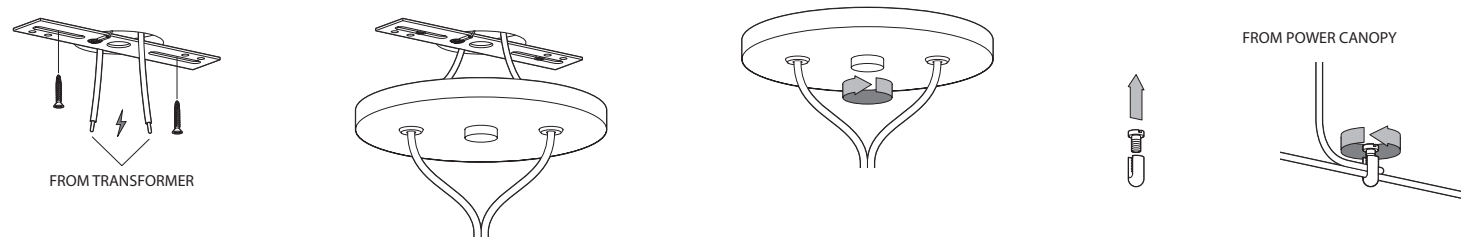
**3. Isolator.**

- i. Connect both cables using **two** grub screws for each.

**4. Turnbuckle.**

- i. Attach Stud End to surface, ensuring correct orientation.
- ii. Unscrew threaded ball fully.
- iii. Connect cable using **both** grub screws.
- iv. Insert Turnbuckle into Stud End.
- v. Insert screwdriver through turnbuckle and turn clockwise to tighten cable.

5.



**5. Power Canopy.**

- i. Ensure transformer is in place and secure ceiling plate in position.
- ii. Wire up Power Canopy.
- iii. Attach to ceiling by screwing in central finial.
- iv. Remove thumbscrew from Power Bolt.
- v. Insert the cables from the Cable System and the Power Canopy and secure in place with thumbscrew, ensuring a tight connection.

**NOTE** when installing ceiling brackets, be sure to align the pillar with the system before drilling holes to ensure the bracket will line up correctly when installed.

**6. Ceiling Bracket & Directional Bracket.**

- i. Screw in bracket pillar, turning clockwise.
- ii. Fasten bracket plate to ceiling using screws provided.
- iii. Run cable through pillar hole.

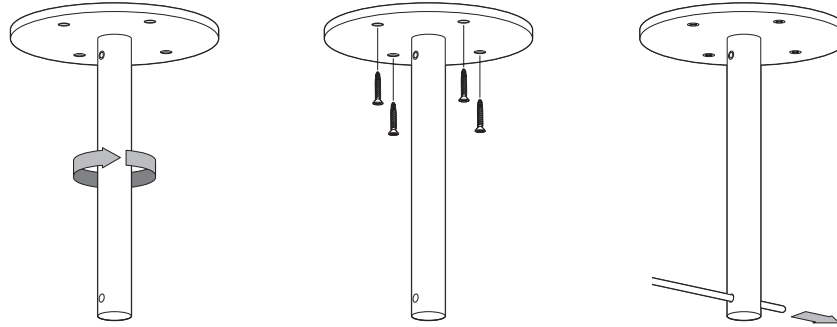
**NOTE** Brackets must be installed before fastening one end of the Cable System.

**7. Power Bracket.**

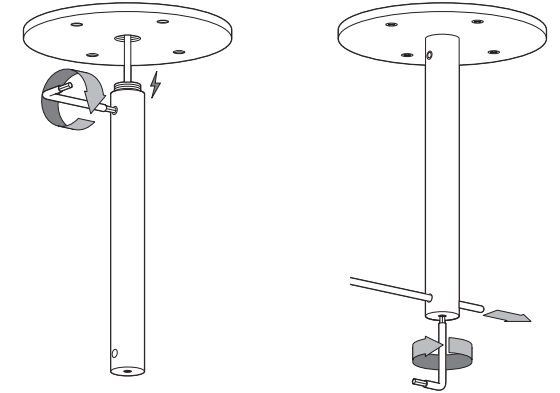
- i. Run wire through bracket plate and secure in place using grub screw in side of pillar.
- ii. Fasten bracket to ceiling as shown in section 6 steps i - ii.
- iii. Run cable through pillar hole. When in position fix in place using grub screw on pillar end.

**NOTE** Power Brackets must be installed before fastening one end of the cable system.

6.



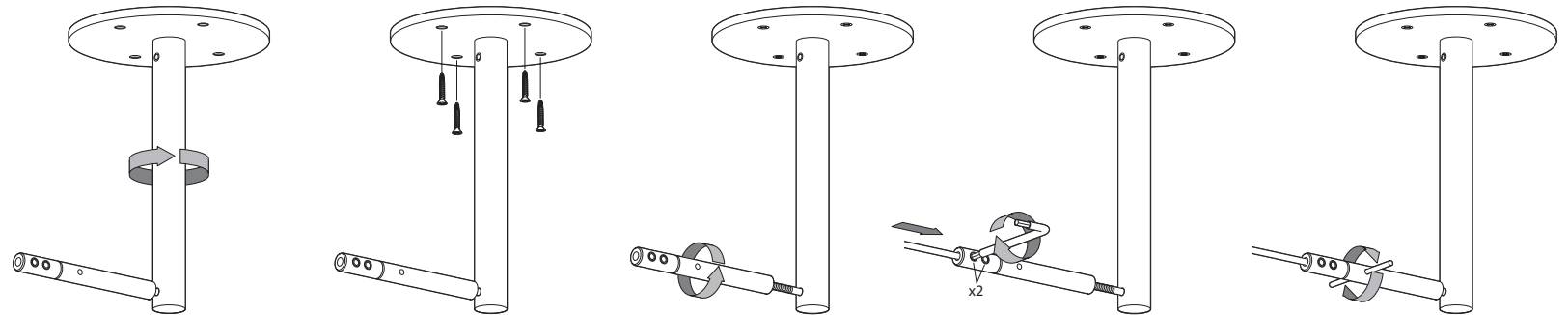
7.



**8. Ceiling Turnbuckle.**

- i. Screw in bracket pillar, turning clockwise.
- ii. Fasten bracket plate to ceiling using screws provided.
- iii. Unscrew turnbuckle fully, turning anti-clockwise.
- iv. Connect cable using **both** grub screws.
- v. Insert screwdriver through turnbuckle and turn clockwise to tighten cable.

8.



**NOTE** when installing Horizontal Standoff, be sure to align the pillar with the system before drilling holes to ensure the bracket will line up correctly when installed.

### 9. Horizontal Standoff.

- i. Screw in bracket pillar, turning clockwise.
- ii. Fasten bracket plate to wall using screws provided.
- iii. Run cables through pillar holes.

**NOTE** Horizontal Standoff must be installed before fastening one end of the Cable System.

### 10. Inline & Isolating Turnbuckles.

- i. Holding central bar, unscrew both ends of the turnbuckle equally.
- ii. Attach cables to both ends using **two** grub screws for each.
- iii. Insert screwdriver through turnbuckle and turn to tighten cable.

**NOTE** turning direction to tighten depends on orientation of the turnbuckle.

### 11. Support Bar.

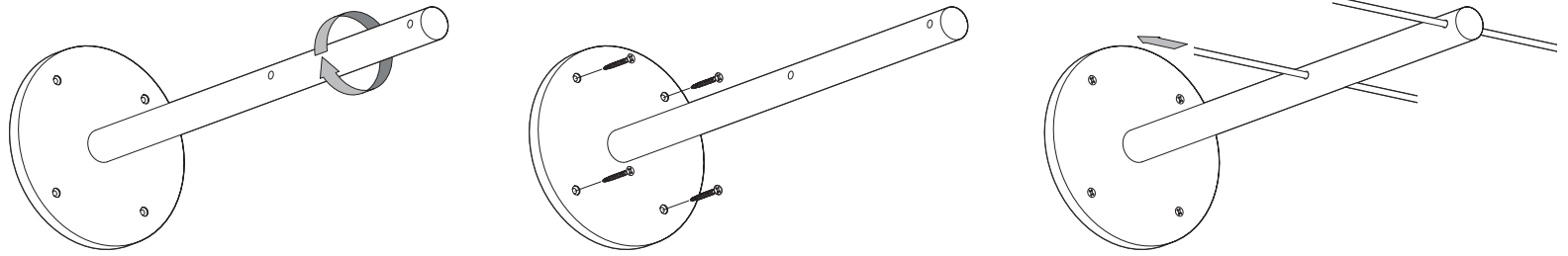
- i. Fasten disc base to ceiling with threaded screw.
- ii. Screw collar clockwise to attach Support Bar to disc base.
- iii. Insert cables into Support Bar slots.
- iv. Support Bar height can be adjusted: To raise, pull wire through bar and cut. To lower press and hold catch on top of bar and slide cable through then cut.

### 12. CA4 Fitting Connector, Demilumen & Maxilumen Luminaires.

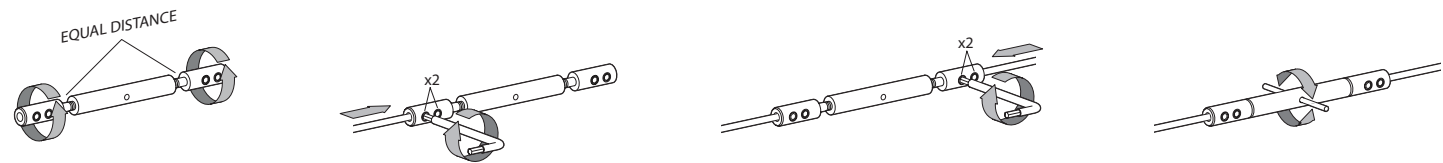
**NOTE** CA4 fitting connector shown, but demilumen and maxilumen luminaires connect in the same manner.

- i. Insert luminaire into CA4 connector firmly and screw clockwise to secure.
- ii. Remove both thumbscrews.
- iii. Insert cables and fasten in place with thumbscrews tightly to ensure a good connection.

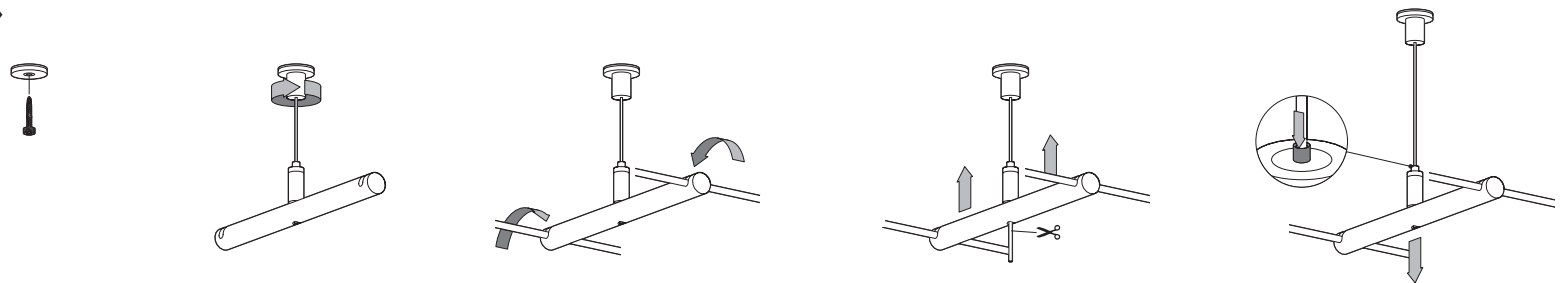
9.



10.



11.



12.

