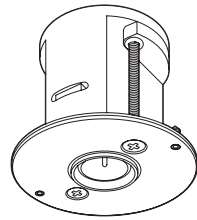


## IMPORTANT SAFETY INFORMATION

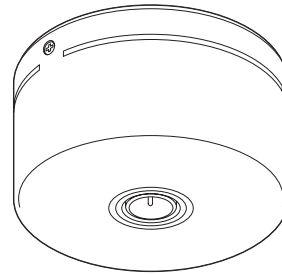
READ ALL INSTRUCTIONS BEFORE USING THESE PRODUCTS. SAVE THESE INSTRUCTIONS FOR LATER REFERENCE.

1. All systems must be installed by a suitably qualified professional only. Installations must conform to national installation and accident prevention regulations.
2. Do not install any fixture closer than 150mm from any combustible material. Do not install these systems in a damp or wet location.
3. To reduce the risk of fire and burns, do not install these systems where exposed bare conductors can be shorted or contact any conductive materials. Do not conceal or extend exposed conductors through a building wall.
4. No part of the secondary circuit should be earthed.
5. All connections on the secondary side of the power supply (low voltage side) must be tight. Bad connections can cause overheating, arcing and a potential fire risk.
6. Install only as described in this Precision Lighting manual. Appropriate fixings will need to be used depending on surface material at the installer's discretion.
7. Connect only Precision Lighting luminaires fitted with jack plug adaptor.
8. Ensure that the system is switched off at mains supply before touching.
9. Connected luminaires may be extremely hot, allow to cool before touching.
10. All monopoints must be connected to an appropriate transformer with the exception of the Power Monopoint which has an integral transformer.
11. Regular cleaning of these products is important. Switch off at mains supply and allow to cool before touching. Clean fittings with a soft damp cloth and allow to dry before reconnecting power supply.

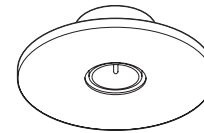
## PRODUCT RANGE



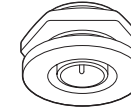
trimless monopoint [MPS]



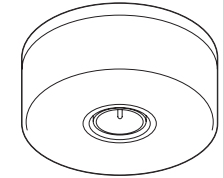
power monopoint [MPT]



flat monopoint [MPX]

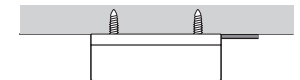
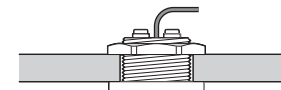
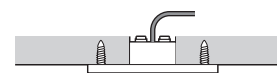
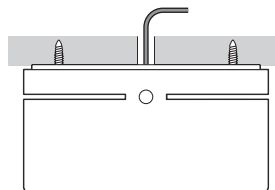
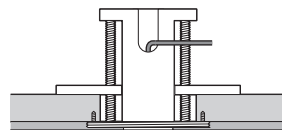


node monopoint [MPY]



surface monopoint [MPZ]

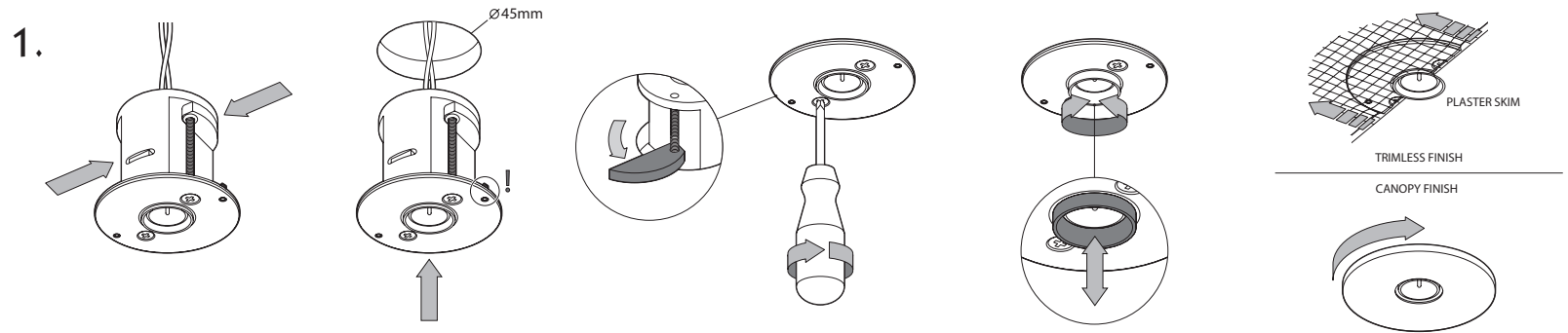
## MOUNTING POSITIONS



## 1. Trimless Monopoint [MPS].

**IMPORTANT** Trimless Monopoint must be installed before plastering unless using decorative canopy (sold separately).

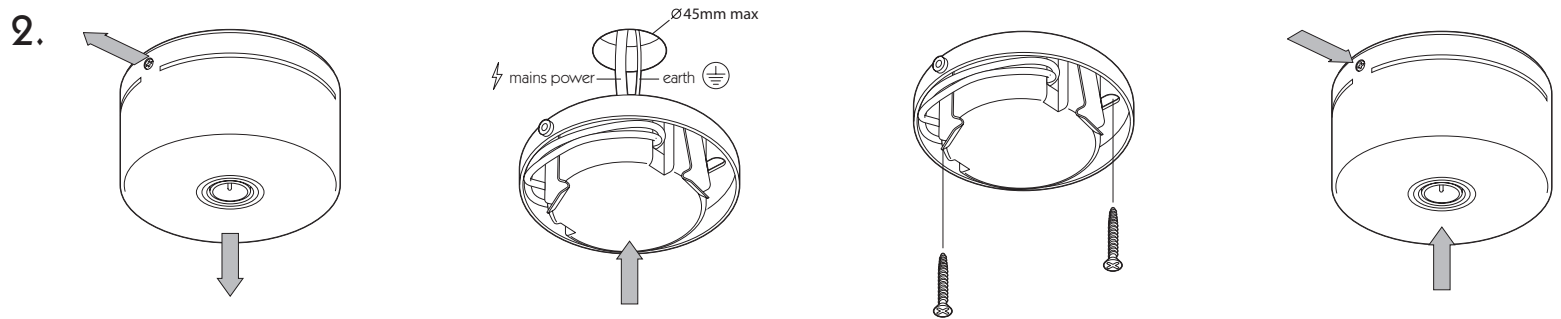
- Stow retaining arms and insert monopoint in  $\varnothing 45\text{mm}$  ceiling hole.
- Turning locking screws causes retaining arms to expand. Pointed set-screws will grip ceiling material. Continue screwing until Monopoint is secured.
- Rotate connector ring to adjust height depending on plaster thickness.
- Cover with plaster mesh and apply plaster to finish or, alternatively, use decorative canopy.



## 2. Power Monopoint [MPT].

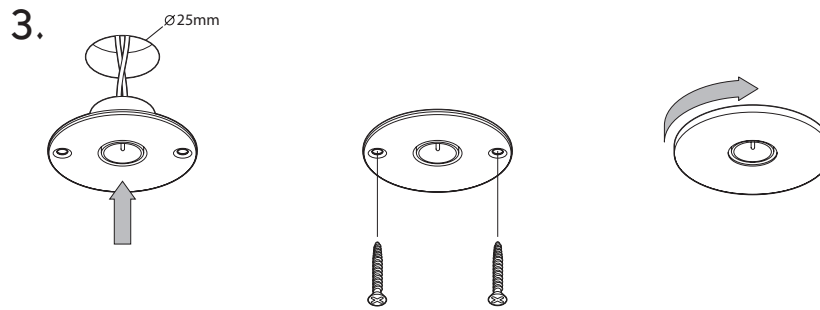
- Unscrew canopy screws (x3) and remove canopy.
- Position monopoint and install using screws provided.
- Replace canopy and secure with canopy screws.

**NOTE** power monopoint contains an integral transformer and should be wired directly to mains supply.



## 3. Flat Monopoint [MPX].

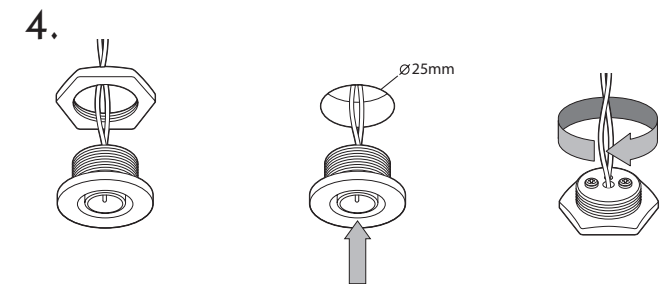
- Insert monopoint in  $\varnothing 25\text{mm}$  ceiling hole and fasten in place using screws provided.
- Attach Decorative canopy, screwing clockwise to secure.



## 4. Node Monopoint [MPY].

**IMPORTANT** node monopoint must be installed before wiring up. Maximum material thickness is 12mm.

- Remove retaining nut.
- Insert monopoint in  $\varnothing 25\text{mm}$  hole and fasten in place using retaining nut.



## 5. Surface Monopoint [MPZ].

- Unscrew outer casing anti-clockwise to remove.
- If no rear access is available, remove rear channel and secure in place, running cables out the side of the monopoint.
- If rear access is available, secure in place using screws provided.
- Replace outer casing by screwing clockwise to secure.

