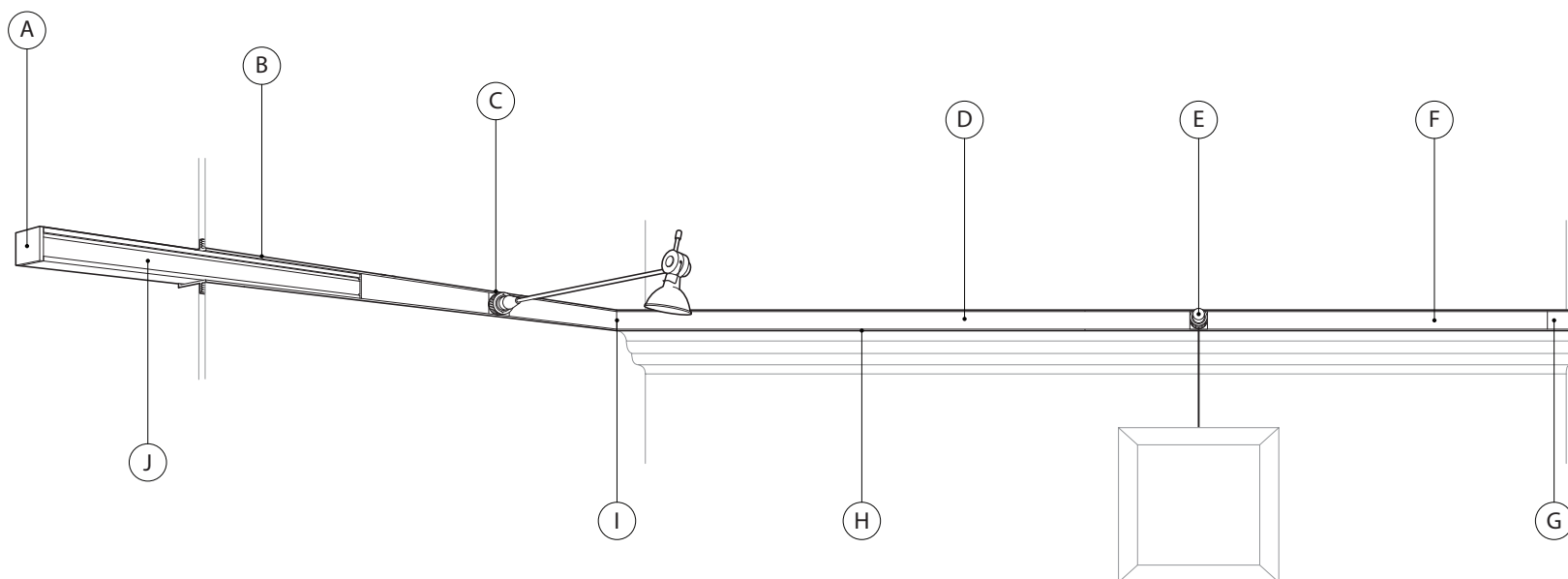


## IMPORTANT SAFETY INFORMATION

READ ALL INSTRUCTIONS BEFORE USING THESE PRODUCTS. SAVE THESE INSTRUCTIONS FOR LATER REFERENCE.

1. All systems must be installed by a suitably qualified professional only. Installations must conform to national installation and accident prevention regulations.
2. Do not install any fixture closer than 150mm from any combustible material. Do not install this system in a damp or wet location.
3. To reduce the risk of fire and burns, do not install this system where exposed bare conductors can be shorted or contact any conductive materials. Do not conceal or extend exposed conductors through a building wall.
4. No part of the secondary circuit should be earthed.
5. All connections on the secondary side of the power supply (low voltage side) must be tight. Bad connections can cause overheating, arcing and a potential fire risk.
6. Install only as described in this Precision Lighting manual. Appropriate fixings will need to be used depending on surface material at the installer's discretion.
7. Connect only Precision Lighting luminaires fitted with Retrac adaptor.
8. Ensure that the system is switched off at mains supply before touching.
9. Connected luminaires may be extremely hot, allow to cool before touching.
10. This is a low voltage system, it must be connected to an appropriate transformer.
11. Regular cleaning of this product is important. Switch off at mains supply and allow to cool before touching. Clean fittings with a soft damp cloth and allow to dry before reconnecting power supply.

## SYSTEM COMPONENTS



Representational diagram. Actual setup may differ.

- |                              |                                |
|------------------------------|--------------------------------|
| A. end cap [RT-808]          | F. cover strip [RT-504]        |
| B. recess channel [RT-506A]  | G. power feed [RT-507]         |
| C. retrac connector [RT-01]  | H. surface channel [RT-506B]   |
| D. straight coupler [RT-512] | I. adjustable coupler [RT-513] |
| E. picture support [RT-520]  | J. inner track [RT-505]        |

Unless specifically mentioned, installation of components shown using surface mount system. The same processes apply for recess mounted system.

### 1a. Installing the Recess Channel.

**IMPORTANT** Recess Channel should be installed BEFORE plastering. Use all fixing points available to ensure channel is fully secured.

- i. Ensuring it is correctly orientated, insert Recess Channel into recessed area and fix with screws.
- ii. Cover Recess Channel flanges with plaster mesh and plaster over.

**NOTE** connection can be made from either the rear or side of Recess Channel.

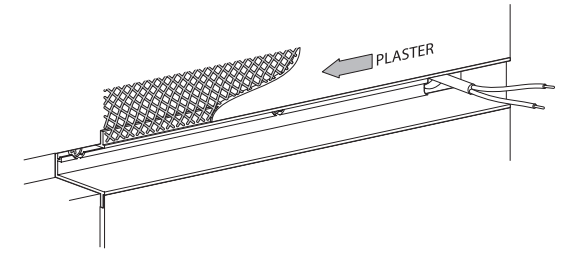
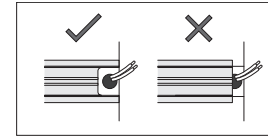
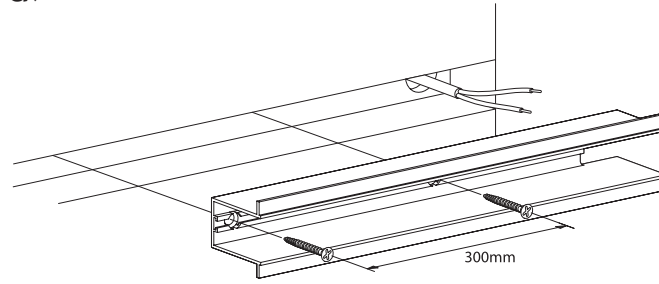
### 1b. Installing the Surface Channel.

**IMPORTANT** Use all fixing points available to ensure channel is fully secured.

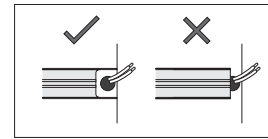
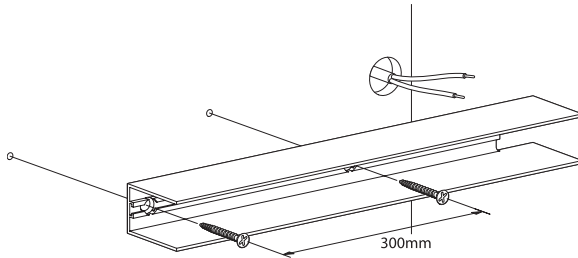
- i. Ensuring it is correctly orientated, affix Surface Channel in desired position.

**NOTE** connection can be made from either the rear or side.

1a.

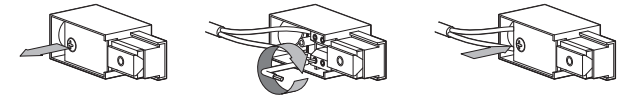


1b.

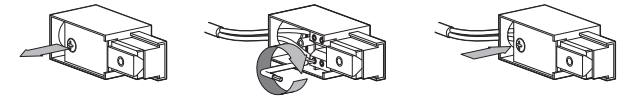


2.

REAR CONNECTION



SIDE CONNECTION



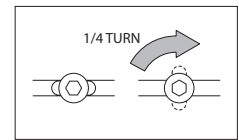
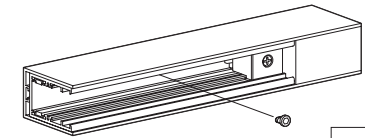
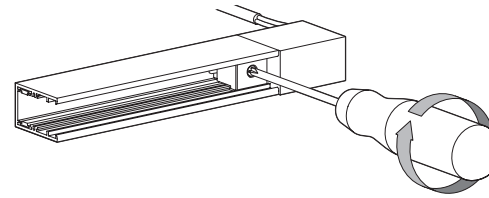
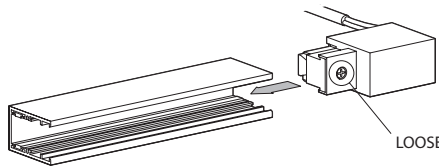
### 2. Connecting the Power Feed.

- i. Unscrew back plate from Power Feed and remove.
- ii. Insert wires into connection holes and secure using Allen key.
- iii. Replace Power Feed back plate.

### 3. Connecting the Power Feed.

- i. Make sure that the connection screw is loose and insert Power Feed into Inner Track.
- ii. Secure Power Feed in place by tightening connection screw.
- iii. Inner Track can now be inserted into outer channel and held in place by locking screw.

3.



### 4. Connecting the End Cap.

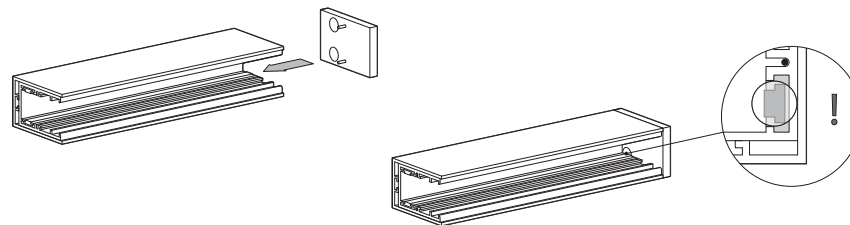
- i. Insert End Cap pins into corresponding slots on inner track and push to join.

**NOTE** ensure the End Cap is orientated correctly so that the insulating discs cover the conducting rails of the inner track.

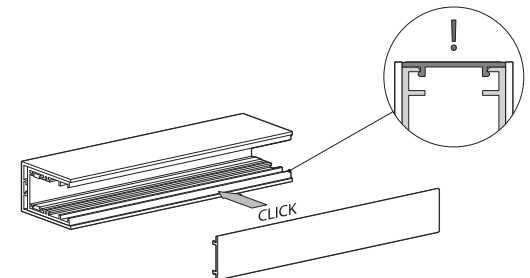
### 5. Fitting the Cover Strip.

- i. Starting at one end, click Cover Strip in place pushing hard to secure.

4.



5.

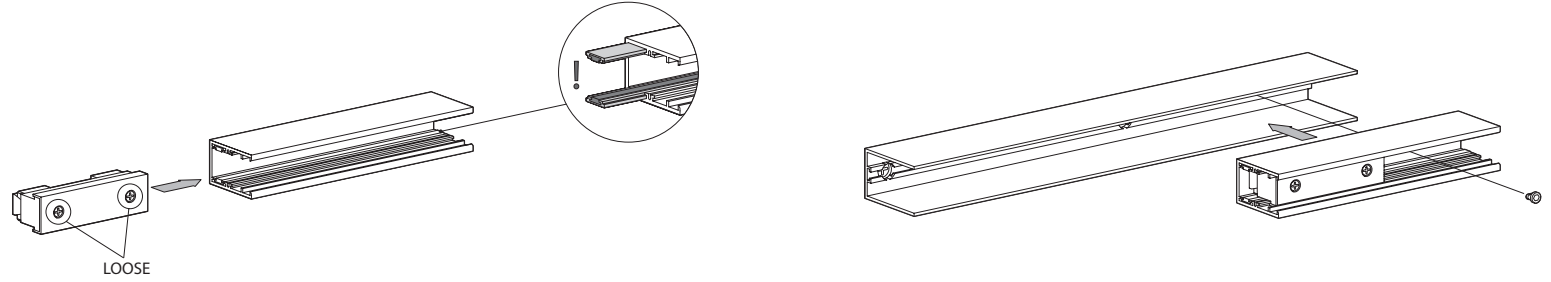


## 6. Connecting tracks using straight coupler.

- i. Make sure connection screws are loose and insert into first piece of inner track.
- ii. Secure inner track into outer channel using locking screws.
- iii. Install second piece of inner track into outer channel positioning straight coupler between both pieces of inner track.
- iv. Tighten connection screws to secure straight coupler in place.

**NOTE** failure to tighten connection screws will lead to a poor connection between tracks and possible failure.

6.

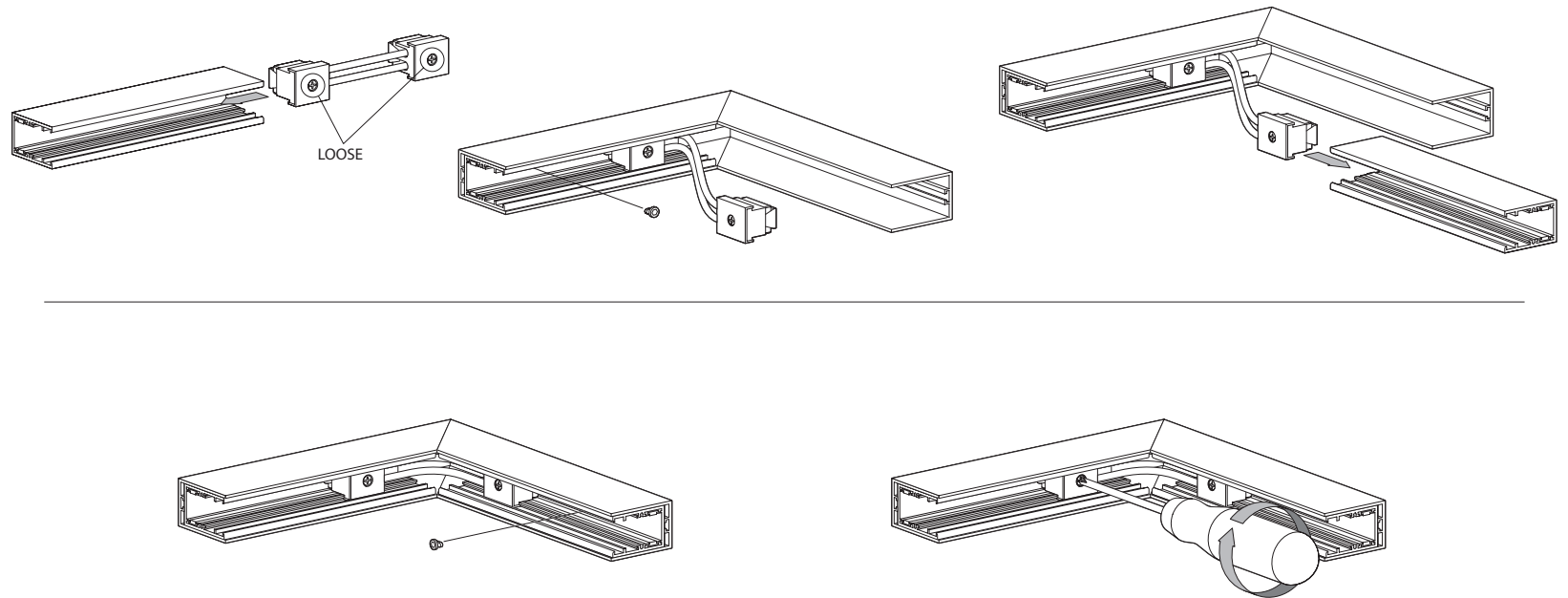


## 7. Connecting tracks using the adjustable coupler.

- i. Make sure connection screws are loose and insert into first piece of inner track.
- ii. Secure inner track into outer channel using locking screws.
- iii. Install second piece of inner track into outer channel.
- iv. Tighten both connection screws to secure adjustable coupler in place.

**NOTE** for best results we recommend mitering the outer channel. The adjustable coupler can be used to connect track in vertical or horizontal orientations.

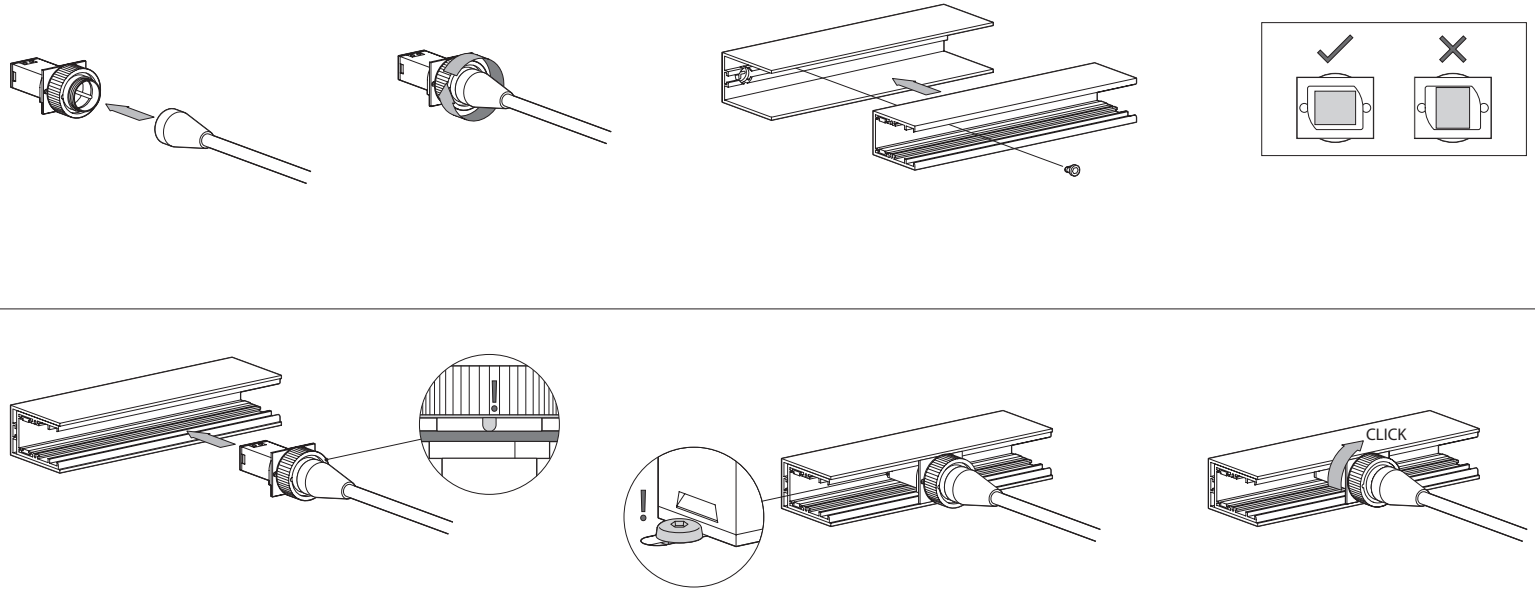
7.



## 8. Connecting the RT Connector.

- i. Insert luminaire into RT Connector firmly and screw clockwise to secure.
- ii. Before connecting RT Connector, you must install Inner Track to outer channel (see section 3 iii).
- iii. Check RT Connector base is correctly orientated before inserting into Inner Track.
- iv. Slide RT Connector into Inner Track ensuring locking ring is extended.
- v. Locking screw can be repositioned in locking slot if it's blocking the desired RT Connector position.
- vi. To secure RT Connector in place, turn locking ring clockwise until it clicks into place.
- vii. To reposition RT Connector, simply pull out locking ring and turn anti-clockwise then slide RT Connector to new position and lock.

8.



## 9. Using the Picture Hanger.

- i. To install Picture Hanger follow steps ii - vii from section 8.
- ii. To shorten Picture Hanger cable, pull through picture attachment and cut at desired length.
- iii. To lengthen cable, press and hold catch on top of picture attachment and slide down to desired height then cut.
- iv. Secure picture attachment to reverse of picture frame with screws provided.

**IMPORTANT** if using surface channel on horizontal, we recommend using a supporting baton below the channel for added strength.

**NOTE** for larger pictures we recommend using two or more Picture Hangers.

9.

