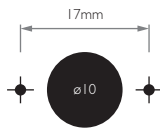
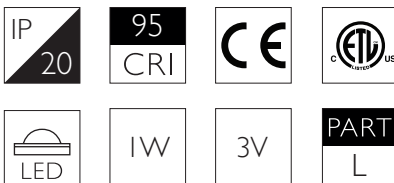


A - 2 Screw Fixing



B - M10 Fixing



## Technical Description

Atto S is a miniature, display orientated LED spotlight that comes as standard in white, black and brushed aluminium finishes. It has four site changeable optics for flexible distribution. The narrow spot beam in our 1W 102lm module has a peak intensity of 794cd. The Atto S has 360 degree bearing aided rotation and 180 degree constant torque tilt mechanism, both lockable. The height of the stem can be adjusted on site without the need for tools. There are 2 mounting methods, from the front using screws or from the rear using the M10 threaded stud.

## Mechanical & Electrical

**Category** Interior use only IP20

**Material** Aluminium I Brass

**Lockable** Pan & Tilt

**Accessories** Snoots

**Systems** Fixed monopoint

**Weight** 34g

**Forward Voltage** 3V

**Current** 350mA

## Finishes

**Finishes** Brushed Aluminium I Black I White I Brass I Custom\*

\* Please enquire as to the availability of non-standard Finishes

## Optical

**System Power** 1W

**Module Output** 102lm

**Absolute Output** 94lm

**LOR** 92

**Gear Type** Dimmable available

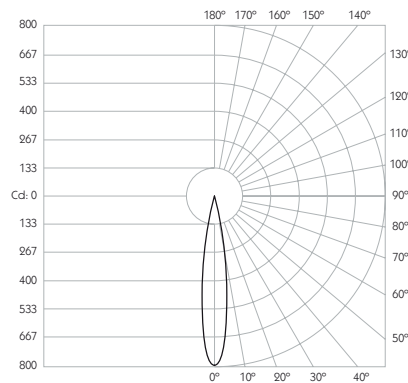
**Colour Temperature** 3000K\*

**CRI** 95 TYP

**TM-30** RF: 93 RG: 99

**Beam Angle** 16°

\*\* Photometry shown is correct for 3000K module. Please enquire for 2700K module output.



Distance (m)	Beam Diameter (m)	Footcandle (lx)
0.25m	0.07m	12,701 lx
0.50m	0.14m	3,175 lx
1.00m	0.28m	794 lx
2.00m	0.56m	198 lx
3.00m	0.84m	88 lx

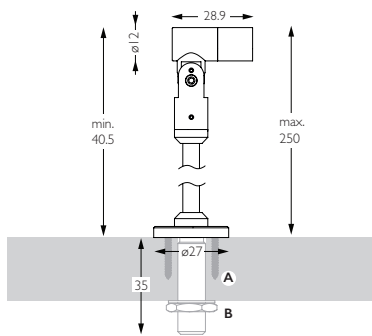
Brushed Aluminium	White 9010	Matte Anodised Black	Rubbed Bronze *	Polished Brass *	Brushed Brass *
763-AL-XX9516	763-WH-XX9516	763-BA-XX9516	763-RB-XX9516	763-PB-XX9516	763-SB-XX9516

If M10 stud is restricting installation contact us for removal

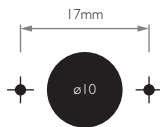
For 3000K Substitute XX with 30

For 2700K Substitute XX with 27

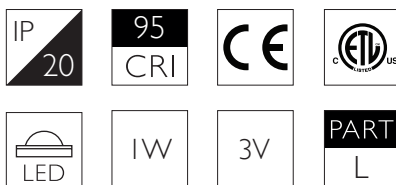
\*All Brass and Bronze finishes are made to order and subject to MOQ



A - 2 Screw Fixing



B - M10 Fixing



## Technical Description

Atto S is a miniature, display orientated LED spotlight that comes as standard in white, black and brushed aluminium finishes. It has four site changeable optics for flexible distribution. The medium beam in our 1W 102lm module has a peak intensity of 359cd. The Atto S has 360 degree bearing aided rotation and 180 degree constant torque tilt mechanism, both lockable. The height of the stem can be adjusted on site without the need for tools. There are 2 mounting methods, from the front using screws or from the rear using the M10 threaded stud.

## Mechanical & Electrical

**Category** Interior use only IP20

**Material** Aluminium I Brass

**Lockable** Pan & Tilt

**Accessories** Snoots

**Systems** Fixed monopoint

**Weight** 34g

**Forward Voltage** 3V

**Current** 350mA

## Finishes

**Finishes** Brushed Aluminium I Black I White I Brass I Custom\*

\* Please enquire as to the availability of non-standard Finishes

## Optical

**System Power** 1W

**Module Output** 102lm

**Absolute Output** 92lm

**LOR** 90

**Gear Type** Dimmable available

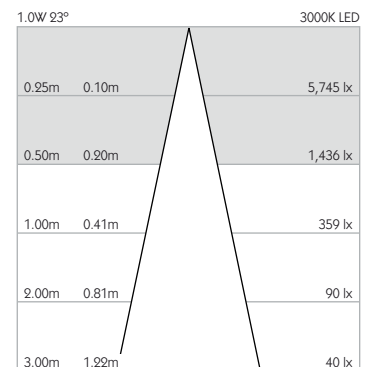
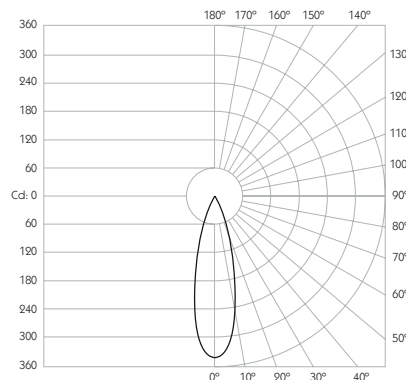
**Colour Temperature** 3000K\*

**CRI** 95 TYP

**TM-30** RF: 93 RG: 99

**Beam Angle** 23°

\*\* Photometry shown is correct for 3000K module. Please enquire for 2700K module output.



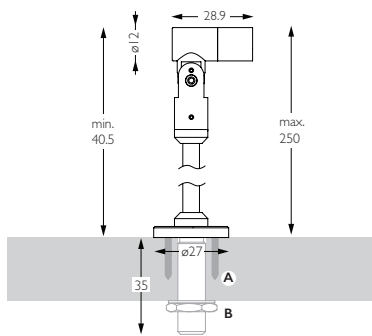
Brushed Aluminium	White 9010	Matte Anodised Black	Rubbed Bronze *	Polished Brass *	Brushed Brass *
763-AL-XX9523	763-WH-XX9523	763-BA-XX9523	763-RB-XX9523	763-PB-XX9523	763-SB-XX9523

If M10 stud is restricting installation contact us for removal

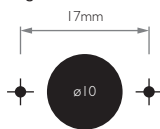
For 3000K Substitute XX with 30

For 2700K Substitute XX with 27

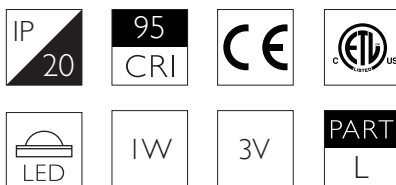
\*All Brass and Bronze finishes are made to order and subject to MOQ



A - 2 Screw Fixing



B - M10 Fixing



## Technical Description

Atto S is a miniature, display orientated LED spotlight that comes as standard in white, black and brushed aluminium finishes. It has four site changeable optics for flexible distribution. The flood beam in our 1W 102lm module has a peak intensity of 109cd. The Atto S has 360 degree bearing aided rotation and 180 degree constant torque tilt mechanism, both lockable. The height of the stem can be adjusted on site without the need for tools. There are 2 mounting methods, from the front using screws or from the rear using the M10 threaded stud.

## Mechanical & Electrical

**Category** Interior use only IP20

**Material** Aluminium I Brass

**Lockable** Pan & Tilt

**Accessories** Snoots

**Systems** Fixed monopoint

**Weight** 34g

**Forward Voltage** 3V

**Current** 350mA

## Finishes

**Finishes** Brushed Aluminium I Black I White I Brass I Custom\*

\* Please enquire as to the availability of non-standard Finishes

## Optical

**System Power** 1W

**Module Output** 102lm

**Absolute Output** 93lm

**LOR** 91

**Gear Type** Dimmable available

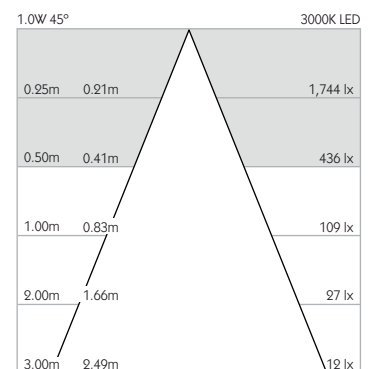
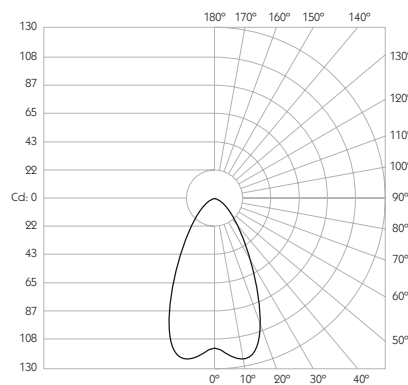
**Colour Temperature** 3000K\*

**CRI** 95 TYP

**TM-30** RF: 93 RG: 99

**Beam Angle** 45°

\*\* Photometry shown is correct for 3000K module. Please enquire for 2700K module output.



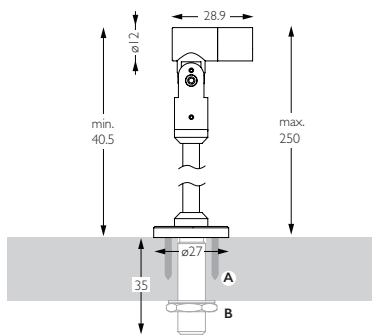
Brushed Aluminium	White 9010	Matte Anodised Black	Rubbed Bronze *	Polished Brass *	Brushed Brass *
763-AL-XX9545	763-WH-XX9545	763-BA-XX9545	763-RB-XX9545	763-PB-XX9545	763-SB-XX9545

If M10 stud is restricting installation contact us for removal

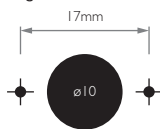
For 3000K Substitute XX with 30

For 2700K Substitute XX with 27

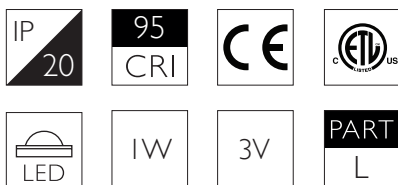
\*All Brass and Bronze finishes are made to order and subject to MOQ



A - 2 Screw Fixing



B - M10 Fixing



## Technical Description

Atto S is a miniature, display orientated LED spotlight that comes as standard in white, black and brushed aluminium finishes. It has four site changeable optics for flexible distribution. The wide flood beam in our 1W 102lm module has a peak intensity of 26cd. The Atto S has 360 degree bearing aided rotation and 180 degree constant torque tilt mechanism, both lockable. The height of the stem can be adjusted on site without the need for tools. There are 2 mounting methods, from the front using screws or from the rear using the M10 threaded stud.

## Mechanical & Electrical

**Category** Interior use only IP20

**Material** Aluminium I Brass

**Lockable** Pan & Tilt

**Accessories** Snoots

**Systems** Fixed monopoint

**Weight** 34g

**Forward Voltage** 3V

**Current** 350mA

## Finishes

**Finishes** Brushed Aluminium I Black I White I Brass I Custom\*

\* Please enquire as to the availability of non-standard Finishes

## Optical

**System Power** 1W

**Module Output** 102lm

**Absolute Output** 69lm

**LOR** 68

**Gear Type** Dimmable available

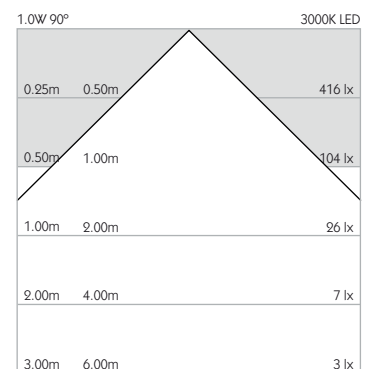
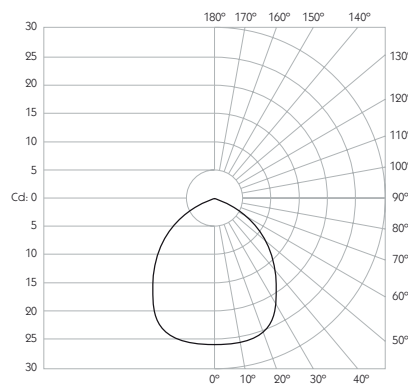
**Colour Temperature** 3000K\*

**CRI** 95 TYP

**TM-30** RF: 93 RG: 99

**Beam Angle** 90°

\*\* Photometry shown is correct for 3000K module. Please enquire for 2700K module output.



Brushed Aluminium	White 9010	Matte Anodised Black	Rubbed Bronze *	Polished Brass *	Brushed Brass *
763-AL-XX9590	763-WH-XX9590	763-BA-XX9590	763-RB-XX9590	763-PB-XX9590	763-SB-XX9590

If M10 stud is restricting installation contact us for removal

For 3000K Substitute XX with 30

For 2700K Substitute XX with 27

\*All Brass and Bronze finishes are made to order and subject to MOQ