

instruction manual

Domino Recessed

The Domino Recessed family are recessed 95CRI architectural luminaires that offer a wide range of optical distributions.

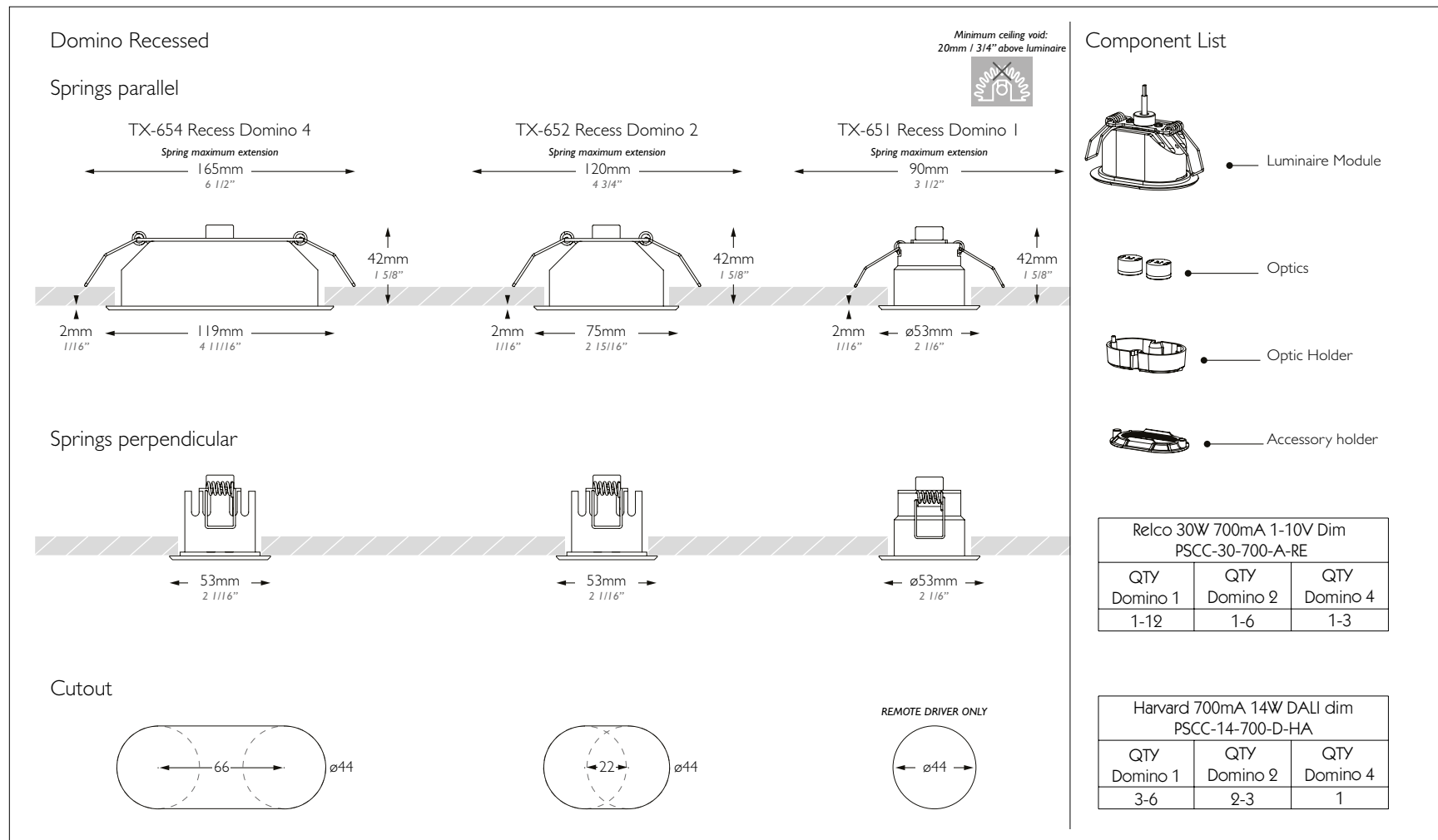
Domino Recessed 1 - 2.2W, 178lm
 Domino Recessed 2 - 4.4W, 356lm
 Domino Recessed 4 - 8.8W, 712lm

These instructions are applicable for Domino Recessed 1, 2 and 4 variations.



These luminaires are constant current and must be connected to an appropriate driver as recommended by Precision Lighting.

42 RIVERSIDE ROAD | LONDON | SW17 0BA | UK
 t. +44 (0) 20 8947 6616 | sales@precisionlighting.co.uk
 f. +44 (0) 20 8286 6626 | www.precisionlighting.co.uk
 © 2015 Precision Lighting Ltd. We reserve the right to change details of design, materials and finish. Version 1.0



IMPORTANT SAFETY INFORMATION

READ ALL INSTRUCTIONS BEFORE USING THESE PRODUCTS. SAVE THESE INSTRUCTIONS FOR LATER REFERENCE.

1. All systems must be installed by a suitably qualified professional only. Installations must conform to national installation and accident prevention regulations.
2. Do not install any fixture closer than 150mm (6 inches) from any combustible material. Do not install these products in a damp or wet location.
3. To reduce the risk of fire and burns, do not install these products where exposed bare conductors can be shorted or contact any conductive materials. Do not conceal or extend exposed conductors through a building wall.
4. Ensure all connections are tight. Bad connections can cause overheating, arcing and a potential fire risk.
5. This luminaire must be wired and grounded in accordance with standard accepted electrical installation practices, local codes and ordinances.
6. Wire supply connections must be made with UL or compatible testing agency approved connectors.
7. Ensure the luminaire's Jack Plug is correctly inserted into the selected power system. The Jack Plug should not be cross threaded and should be fully tightened.
8. Always use appropriate optics and ensure they are fitted securely.
9. Use only as described in this Precision Lighting manual.
10. Use only Precision Lighting recommended accessories.
11. Ensure that the luminaire is switched off at mains supply before installing or removing.
12. Luminaires may be extremely hot, allow to cool before touching.
13. These are 700mA constant current luminaires and must be connected to an appropriate PSU as recommended by Precision Lighting.
14. Regular cleaning of these products is important. Switch off at mains supply and allow to cool before cleaning fittings with a microfibre cloth. Then reconnect the power supply.

WARNING Do not connect or disconnect under load. Ensure driver has not been powered for a minimum of 1 minute before reconnecting the LED module after disconnecting. Do not hot plug. Failure to follow this instruction will lead to serious damage of the LED module and driver and will not be covered by warranty.

NOTE Maintain correct polarity when wiring. Incorrect wiring will cause serious damage and will not be covered by warranty. Must be installed according to SELV regulations. Wire specification: 22 AWG, ø0.65mm diameter double insulated teflon wire. Red - Positive Black - Negative

NOTE LED module is not site serviceable. Tampering will cause damage and will not be covered by warranty.

I. Installing the luminaire

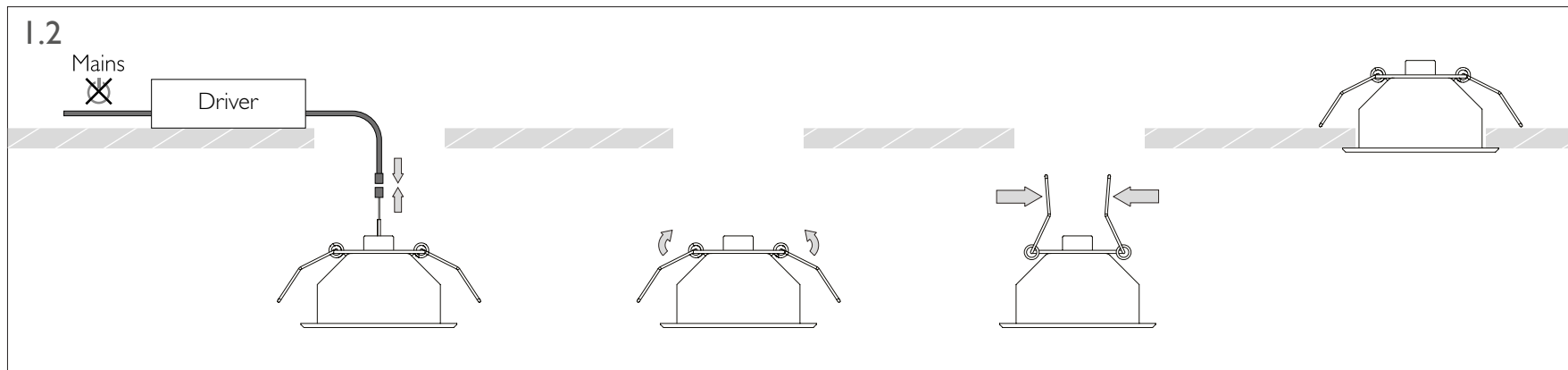
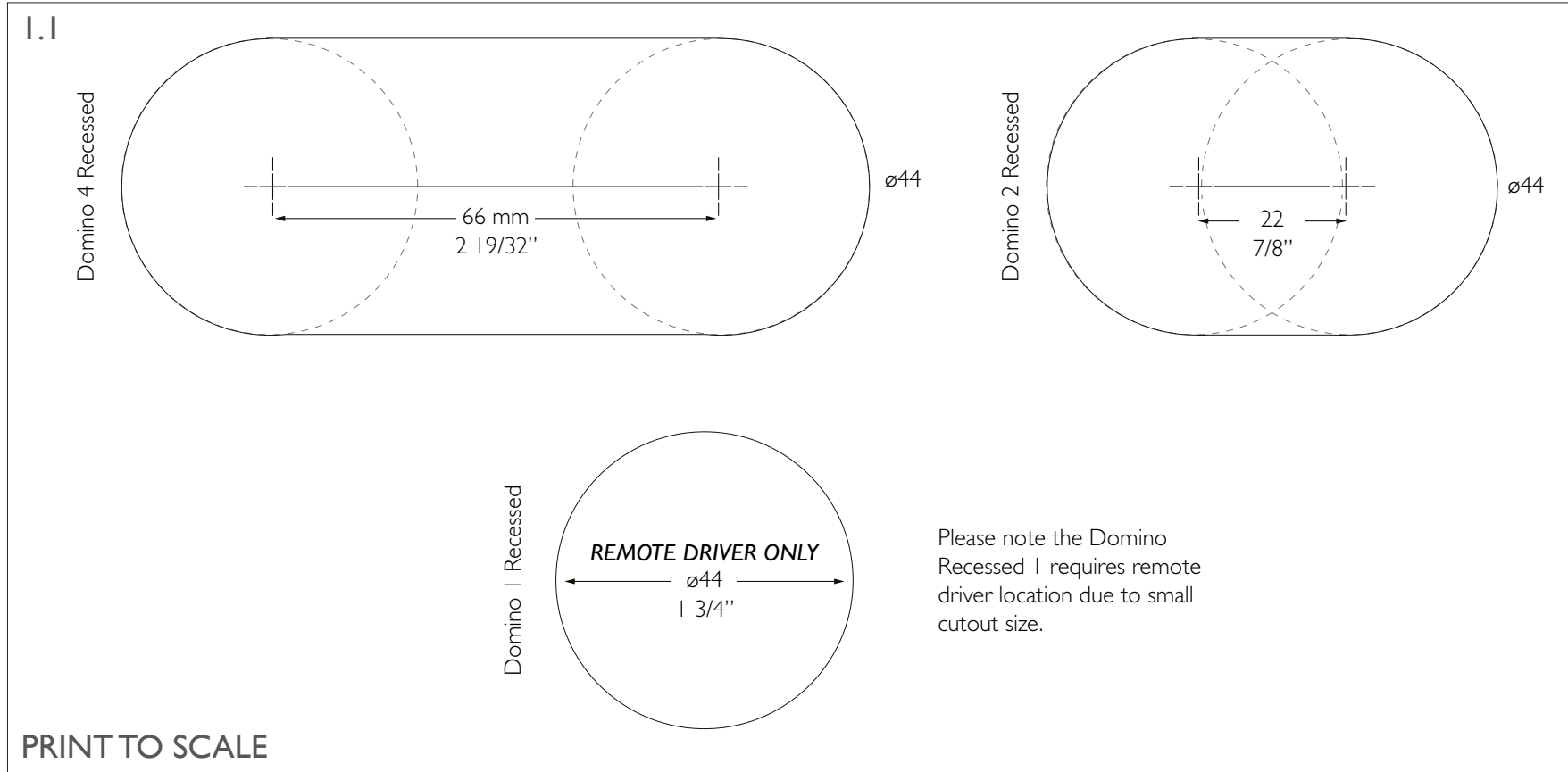
WARNING switch off power to mains before installation.

Cut ceiling hole using the stencils in diagram I.1.

Note: Due to small luminaire size drivers must be located remotely when using the Domino 1; cut out is too small for dimmable drivers to pass through.

Pull driver side connector through hole and connect to the luminaire side connector. See electrical instructions for wiring schematic. Compatible drivers listed in front page table.

Using installation springs, install fixture into the ceiling.



WARNING Do not connect or disconnect under load.
Ensure driver has not been powered for a minimum of 1 minute before reconnecting the LED module after disconnecting. Do not hot plug. Failure to follow this instruction will lead to serious damage of the LED module and driver and will not be covered by warranty.

NOTE Maintain correct polarity when wiring. Incorrect wiring will cause serious damage and will not be covered by warranty. Must be installed according to SELV regulations.
Wire specification: 22 AWG, ø0.65mm diameter double insulated teflon wire.
Red - Positive Black - Negative

NOTE LED module is not site serviceable.
Tampering will cause damage and will not be covered by warranty.

2. Changing the optics

WARNING luminaire may be hot.
Allow to cool before touching.

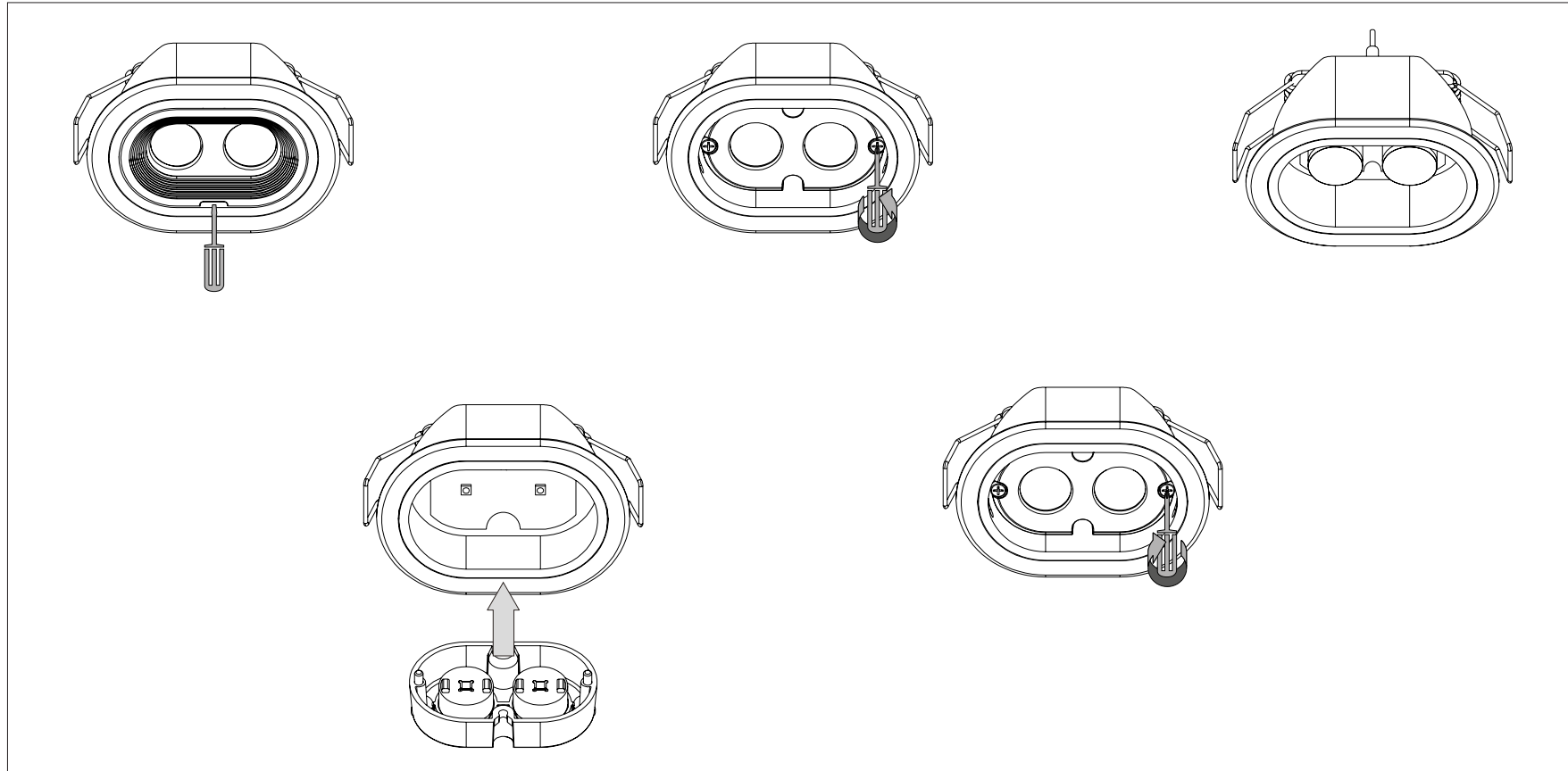
Remove the luminaire from the ceiling.

Using the slot on the side of the Magnetic Front Plate remove the plate. We recommend using a screwdriver for leverage.

Remove the optics and replace with the new selection. To position the new optics correctly place the optics into the cover and replace.

Screw the optic holder back in to place using the 2 cross head screws.

Reinstall onto ceiling as per step 1.

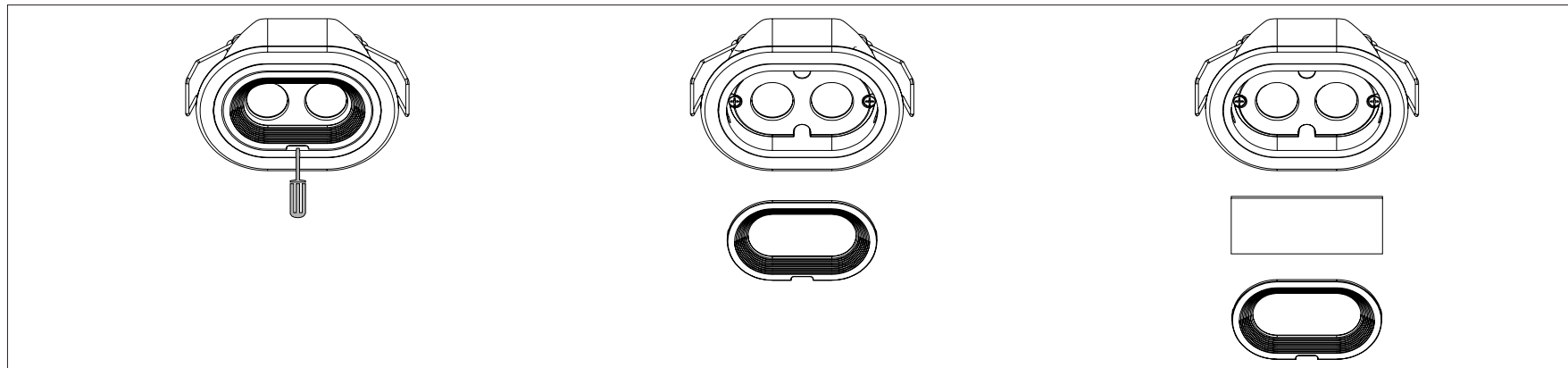


3. Using Accessories

WARNING luminaire may be hot.
Allow to cool before touching.

Using the slot on the side of the Magnetic Front Plate remove the plate. We recommend using a screwdriver for leverage.

Insert accessory into Magnetic Front Plate and replace Front Plate into the main body.



WARNING Do not connect or disconnect under load.
Ensure driver has not been powered for a minimum of 1 minute before reconnecting the LED module after disconnecting. Do not hot plug. Failure to follow this instruction will lead to serious damage of the LED module and driver and will not be covered by warranty.

NOTE Maintain correct polarity when wiring. Incorrect wiring will cause serious damage and will not be covered by warranty. Must be installed according to SELV regulations.
Wire specification: 22 AWG, $\varnothing 0.65\text{mm}$ diameter double insulated teflon wire.
Red - Positive Black - Negative

NOTE LED module is not site serviceable.
Tampering will cause damage and will not be covered by warranty.

4. Remove fixture from ceiling

Hold the bezel and pull downwards.

Tilt fixture in direction of one of the installation springs and continue to pull down before straightening out the fixture and pulling down until the fixture is clear of the ceiling.

WARNING caution springs can pinch fingers. Handle with care.

Disconnect from driver:

WARNING Ensure mains supply is off before disconnecting luminaire.

