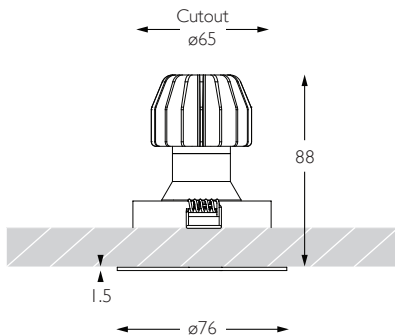


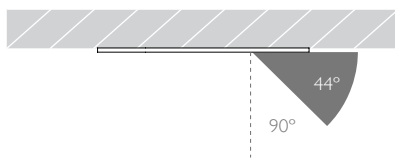
MINIMO 11 | ADJUSTABLE

Luminaires
spec sheet RCD-624

ULTRA NARROW SPOT | FLAT BEZEL | PINHOLE APERTURE

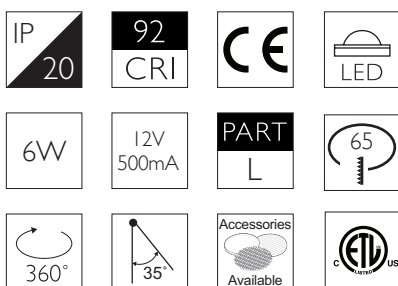


Glare Diagram



Cut Off: 44°

Glare Comfort Cut Off: 90°



Technical Description

Minimo 11 Adjustable is a compact recessed LED luminaire offering full adjustability with 360° pan and 35° tilt without breaking the ceiling line. Minimo 11 is perfect for use in colour-critical applications with 92CRI delivered from a single source LED module and available in two colour temperatures as standard. Tool-less, site changeable beam angles allow flexibility in varying environments. Machined from aerospace grade 6063-T6 aluminium, Minimo 11 Adjustable features a flat, discreet bezel and 33mm pinhole aperture for a minimal and extremely low glare solution. Minimo 11 Adjustable delivers a lumen package of 513lm at 6W.

Mechanical

Category Interior use only IP20
Material Machined Aluminium
Configuration Flat | Pinhole Aperture
Cutout ø65mm

Ceiling Thickness 3 - 25mm
Ceiling Void 20mm above module
Pan 360° **Tilt** 35°
Weight 221g

Finishes

Finishes Black | White *

* Please enquire as to the availability of non-standard Finishes

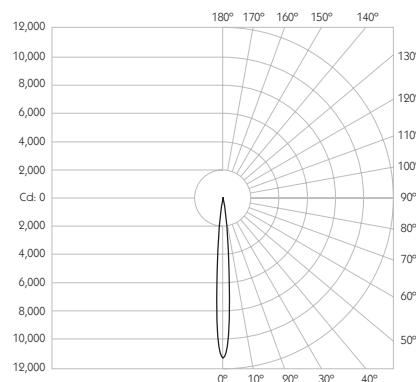
Optical

System Power 6W
Module Output 513lm**
Absolute Output 506lm**
LOR 99%
Glare Cut Off 44°
Glare Comfort Cut Off 90°

Colour Temperature 2700K | 3000K
CRI 92 Typ
TM-30 Rf: 90 Rg: 99
Beam Angle 9°
Gear Type Dimmable Options Available
Gear Location Remote

** Photometry shown is correct for 3000K module. Please enquire for 2700K module output.

Product Photometry independently tested in accordance with LM-79



Distance	Beam Diameter	Footcandle (lx)
1m	0.16m	11,214 lx
2m	0.31m	2,804 lx
3m	0.47m	1,246 lx
4m	0.63m	701 lx
5m	0.79m	449 lx

Luminaire Code

RCD-624

Finish

BK
WH

Black
White

CCT

27
30

2700K
3000K

CRI

92

92 CRI

Beam Angle

09

9° Ultra Narrow Spot

RCD-624

92

09

PRECISION
LIGHTING

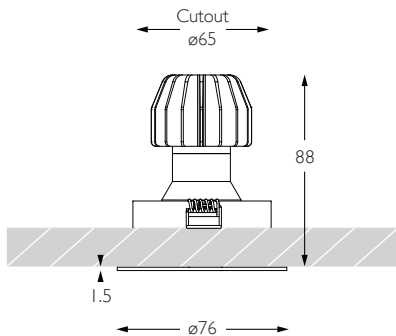
SALES@PRECISIONLIGHTING.CO.UK
WWW.PRECISIONLIGHTING.CO.UK

42 RIVERSIDE ROAD
LONDON SW17 0BA
t. +44 (0) 20 8947 6616
f. +44 (0) 20 8286 6626

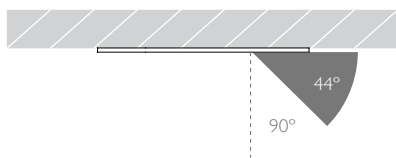
MINIMO 11 | ADJUSTABLE

Luminaires
spec sheet RCD-624

NARROW SPOT | FLAT BEZEL | PINHOLE APERTURE

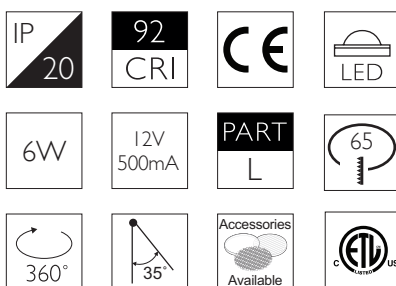


Glare Diagram



Cut Off: 44°

Glare Comfort Cut Off: 90°



Technical Description

Minimo 11 Adjustable is a compact recessed LED luminaire offering full adjustability with 360° pan and 35° tilt without breaking the ceiling line. Minimo 11 is perfect for use in colour-critical applications with 92CRI delivered from a single source LED module and available in two colour temperatures as standard. Tool-less, site changeable beam angles allow flexibility in varying environments. Machined from aerospace grade 6063-T6 aluminium, Minimo 11 Adjustable features a flat, discreet bezel and 33mm pinhole aperture for a minimal and extremely low glare solution. Minimo 11 Adjustable delivers a lumen package of 513lm at 6W.

Mechanical

Category Interior use only IP20
Material Machined Aluminium
Configuration Flat | Pinhole Aperture
Cutout \varnothing 65mm

Ceiling Thickness 3 - 25mm
Ceiling Void 20mm above module
Pan 360° **Tilt** 35°
Weight 221g

Finishes

Finishes Black | White *
 * Please enquire as to the availability of non-standard Finishes

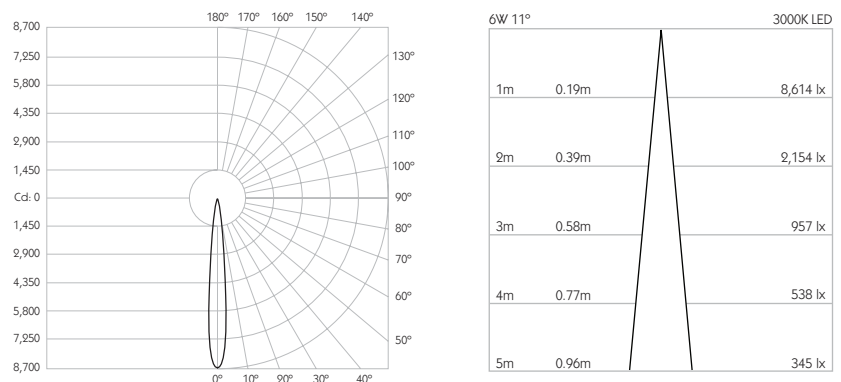
Optical

System Power 6W
Module Output 513lm**
Absolute Output 504lm**
LOR 98%
Glare Cut Off 44°
Glare Comfort Cut Off 90°

Colour Temperature 2700K | 3000K
CRI 92 Typ
TM-30 Rf: 90 Rg: 99
Beam Angle 11°
Gear Type Dimmable Options Available
Gear Location Remote

** Photometry shown is correct for 3000K module. Please enquire for 2700K module output.

Product Photometry independently tested in accordance with LM-79



Luminaire Code	Finish	CCT	CRI	Beam Angle
RCD-624	BK Black WH White	27 2700K 30 3000K	92 92 CRI	11 11° Narrow Spot

RCD-624	-	-	92	11
---------	---	---	----	----

PRECISION
LIGHTING

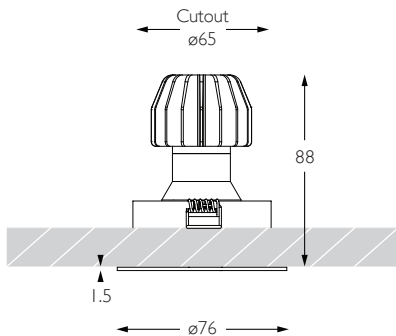
SALES@PRECISIONLIGHTING.CO.UK
WWW.PRECISIONLIGHTING.CO.UK

42 RIVERSIDE ROAD
LONDON SW17 0BA
t. +44 (0) 20 8947 6616
f. +44 (0) 20 8286 6626

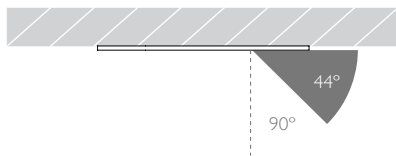
MINIMO 11 | ADJUSTABLE

Luminaires
spec sheet RCD-624

SPOT | FLAT BEZEL | PINHOLE APERTURE

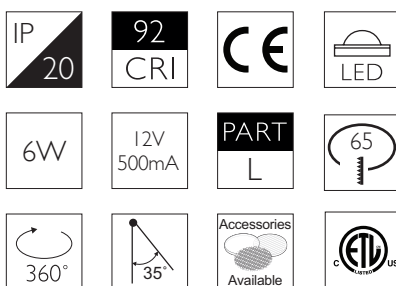


Glare Diagram



Cut Off: 44°

Glare Comfort Cut Off: 90°



Technical Description

Minimo 11 Adjustable is a compact recessed LED luminaire offering full adjustability with 360° pan and 35° tilt without breaking the ceiling line. Minimo 11 is perfect for use in colour-critical applications with 92CRI delivered from a single source LED module and available in two colour temperatures as standard. Tool-less, site changeable beam angles allow flexibility in varying environments. Machined from aerospace grade 6063-T6 aluminium, Minimo 11 Adjustable features a flat, discreet bezel and 33mm pinhole aperture for a minimal and extremely low glare solution. Minimo 11 Adjustable delivers a lumen package of 513lm at 6W.

Mechanical

Category Interior use only IP20
Material Machined Aluminium
Configuration Flat | Pinhole Aperture
Cutout ø65mm

Ceiling Thickness 3 - 25mm
Ceiling Void 20mm above module
Pan 360° **Tilt** 35°
Weight 221g

Finishes

Finishes Black | White *
 * Please enquire as to the availability of non-standard Finishes

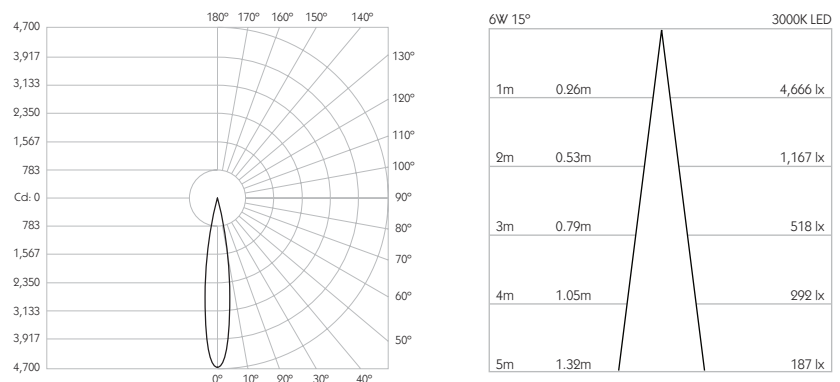
Optical

System Power 6W
Module Output 513lm**
Absolute Output 506lm**
LOR 99%
Glare Cut Off 44°
Glare Comfort Cut Off 90°

Colour Temperature 2700K | 3000K
CRI 92 Typ
TM-30 Rf: 90 Rg: 99
Beam Angle 15°
Gear Type Dimmable Options Available
Gear Location Remote

** Photometry shown is correct for 3000K module. Please enquire for 2700K module output.

Product Photometry independently tested in accordance with LM-79



Luminaire Code	Finish	CCT	CRI	Beam Angle
RCD-624	BK Black WH White	27 2700K 30 3000K	92 92 CRI	15 15° Spot

RCD-624	-	-	92	15
---------	---	---	----	----

PRECISION
LIGHTING

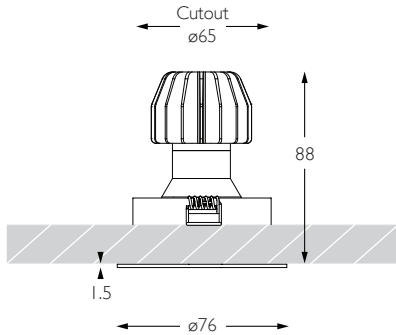
SALES@PRECISIONLIGHTING.CO.UK
WWW.PRECISIONLIGHTING.CO.UK

42 RIVERSIDE ROAD
LONDON SW17 0BA
t. +44 (0) 20 8947 6616
f. +44 (0) 20 8286 6626

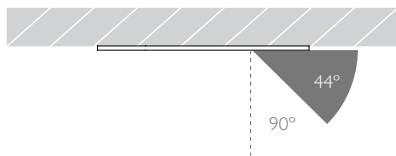
MINIMO 11 | ADJUSTABLE

Luminaires
spec sheet RCD-624

FLOOD | FLAT BEZEL | PINHOLE APERTURE

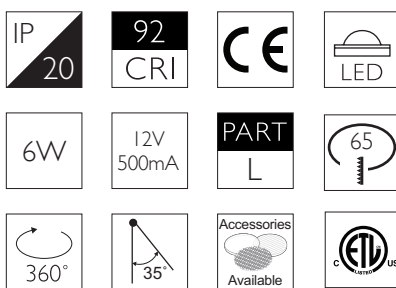


Glare Diagram



Cut Off: 44°

Glare Comfort Cut Off: 90°



Technical Description

Minimo 11 Adjustable is a compact recessed LED luminaire offering full adjustability with 360° pan and 35° tilt without breaking the ceiling line. Minimo 11 is perfect for use in colour-critical applications with 92CRI delivered from a single source LED module and available in two colour temperatures as standard. Tool-less, site changeable beam angles allow flexibility in varying environments. Machined from aerospace grade 6063-T6 aluminium, Minimo 11 Adjustable features a flat, discreet bezel and 33mm pinhole aperture for a minimal and extremely low glare solution. Minimo 11 Adjustable delivers a lumen package of 513lm at 6W.

Mechanical

Category Interior use only IP20
Material Machined Aluminium
Configuration Flat | Pinhole Aperture
Cutout ø65mm
Ceiling Thickness 3 - 25mm
Ceiling Void 20mm above module
Pan 360° **Tilt** 35°
Weight 221g

Finishes

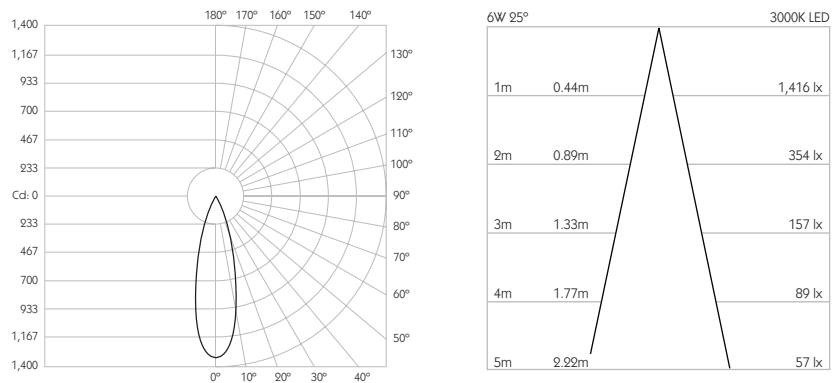
Finishes Black | White *
 * Please enquire as to the availability of non-standard Finishes

Optical

System Power 6W
Module Output 513lm**
Absolute Output 439lm**
LOR 86%
Glare Cut Off 44°
Glare Comfort Cut Off 90°
Colour Temperature 2700K | 3000K
CRI 92 Typ
TM-30 Rf: 90 Rg: 99
Beam Angle 25°
Gear Type Dimmable Options Available
Gear Location Remote

** Photometry shown is correct for 3000K module. Please enquire for 2700K module output.

Product Photometry independently tested in accordance with LM-79



Luminaire Code	Finish	CCT	CRI	Beam Angle
RCD-624	BK Black WH White	27 2700K 30 3000K	92 92 CRI	25 25° Flood

RCD-624	-	-	92	25
---------	---	---	----	----

PRECISION
LIGHTING

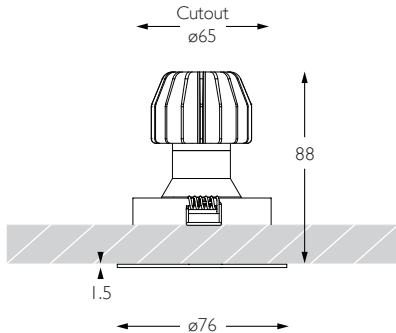
SALES@PRECISIONLIGHTING.CO.UK
WWW.PRECISIONLIGHTING.CO.UK

42 RIVERSIDE ROAD
LONDON SW17 0BA
t. +44 (0) 20 8947 6616
f. +44 (0) 20 8286 6626

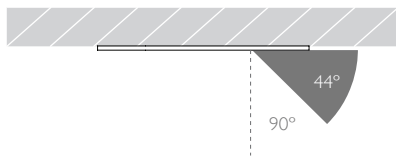
MINIMO 11 | ADJUSTABLE

Luminaires
spec sheet RCD-624

WIDE FLOOD | FLAT BEZEL | PINHOLE APERTURE

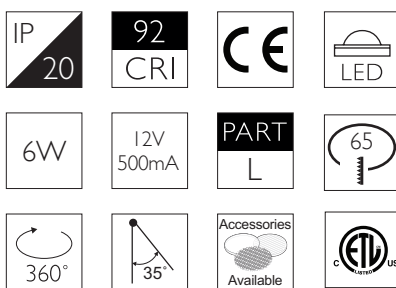


Glare Diagram



Cut Off: 44°

Glare Comfort Cut Off: 90°



Technical Description

Minimo 11 Adjustable is a compact recessed LED luminaire offering full adjustability with 360° pan and 35° tilt without breaking the ceiling line. Minimo 11 is perfect for use in colour-critical applications with 92CRI delivered from a single source LED module and available in two colour temperatures as standard. Tool-less, site changeable beam angles allow flexibility in varying environments. Machined from aerospace grade 6063-T6 aluminium, Minimo 11 Adjustable features a flat, discreet bezel and 33mm pinhole aperture for a minimal and extremely low glare solution. Minimo 11 Adjustable delivers a lumen package of 513lm at 6W.

Mechanical

Category Interior use only IP20
Material Machined Aluminium
Configuration Flat | Pinhole Aperture
Cutout ø65mm

Ceiling Thickness 3 - 25mm
Ceiling Void 20mm above module
Pan 360° **Tilt** 35°
Weight 221g

Finishes

Finishes Black | White *

* Please enquire as to the availability of non-standard finishes

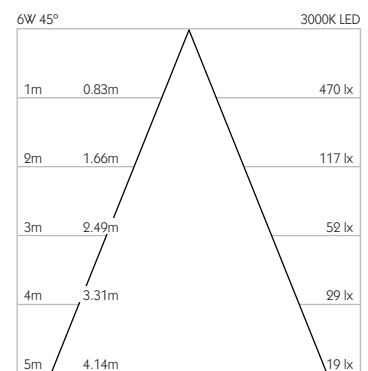
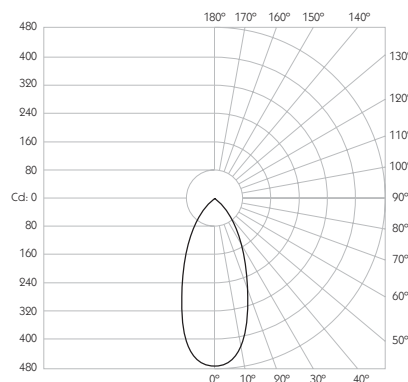
Optical

System Power 6W
Module Output 513lm**
Absolute Output 420lm**
LOR 82%
Glare Cut Off 44°
Glare Comfort Cut Off 90°

Colour Temperature 2700K | 3000K
CRI 92 Typ
TM-30 Rf: 90 Rg: 99
Beam Angle 45°
Gear Type Dimmable Options Available
Gear Location Remote

** Photometry shown is correct for 3000K module. Please enquire for 2700K module output.

Product Photometry independently tested in accordance with LM-79



Product Configuration

Luminaire Code	Finish	CCT	CRI	Beam Angle
RCD-624	BK Black WH White	27 2700K 30 3000K	92 92 CRI	45 45° Wide Flood

RCD-624	-	-	92	45
---------	---	---	----	----