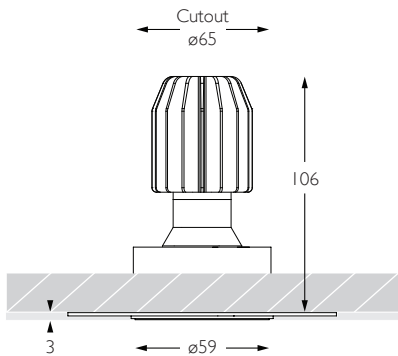


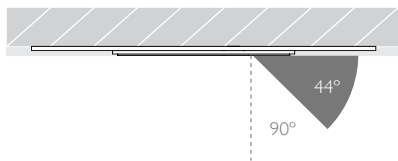
MINIMO 16 | FIXED

luminaires
spec sheet RCT-632

ULTRA NARROW SPOT | TRIMLESS | PINHOLE APERTURE

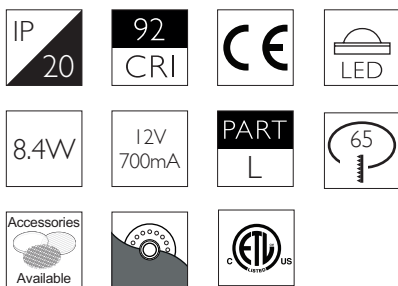


Glare Diagram



Cut Off: 44°

Glare Comfort Cut Off: 90°



Technical Description

Minimo 16 Fixed is a recessed LED luminaire providing high performance accent lighting from a compact source with minimal glare. Minimo 16 is perfect for use in colour-critical applications with 92CRI delivered from a single source LED module and available in two colour temperatures as standard. Tool-less, site changeable beam angles allow flexibility in varying environments. Machined from 6063-T6 aluminium, Minimo 16 Fixed Trimless features a 33mm pinhole aperture for a minimal and extremely low glare solution. Minimo 16 Fixed delivers a lumen package of 665lm at 8.4W.

Mechanical

Category Interior use only IP20

Material Machined Aluminium

Configuration Trimless | Pinhole Aperture

Cutout ø65mm

Ceiling Thickness 5mm min.

Ceiling Void 20mm above module

Weight 294g

Finishes

Finishes Black | White *

* Please enquire as to the availability of non-standard Finishes

Optical

System Power 8.4W

Module Output 665lm**

Absolute Output 656lm**

LOR 99%

Glare Cut Off 44°

Glare Comfort Cut Off 90°

** Photometry shown is correct for 3000K module. Please enquire for 2700K module output.

Colour Temperature 2700K | 3000K

CRI 92 Typ

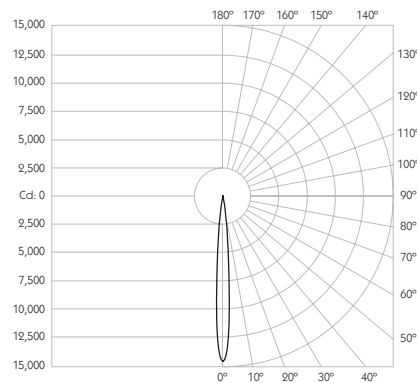
TM-30 Rf: 90 Rg: 99

Beam Angle 9°

Gear Type Dimmable Options Available

Gear Location Remote

Product Photometry independently tested in accordance with LM-79



Distance	Beam Diameter	Illuminance (lx)
1m	0.16m	14,533 lx
2m	0.31m	3,633 lx
3m	0.47m	1,615 lx
4m	0.63m	908 lx
5m	0.79m	581 lx

Luminaire Code

RCT-632

Finish

BK Black
WH White

CCT

27 2700K
30 3000K

CRI

92 92 CRI

Beam Angle

09 9° Ultra Narrow Spot

RCT-632

92

09

PRECISION
LIGHTING

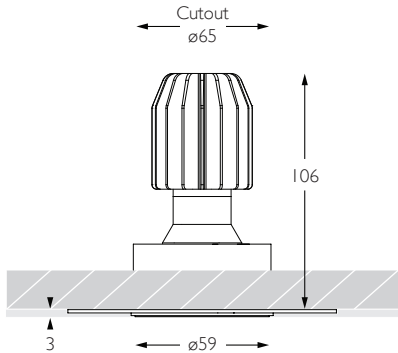
SALES@PRECISIONLIGHTING.CO.UK
WWW.PRECISIONLIGHTING.CO.UK

42 RIVERSIDE ROAD
LONDON SW17 0BA
t. +44 (0) 20 8947 6616
f. +44 (0) 20 8286 6626

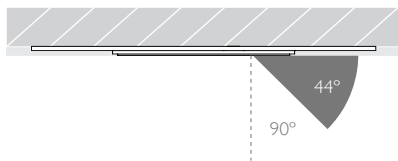
MINIMO 16 | FIXED

Luminaires
spec sheet RCT-632

NARROW SPOT | TRIMLESS | PINHOLE APERTURE

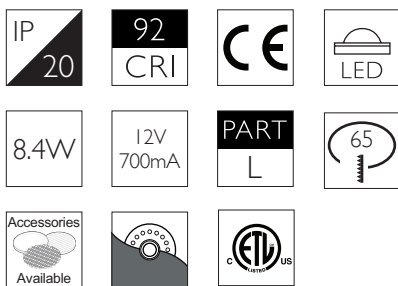


Glare Diagram



Cut Off: 44°

Glare Comfort Cut Off: 90°



Technical Description

Minimo 16 Fixed is a recessed LED luminaire providing high performance accent lighting from a compact source with minimal glare. Minimo 16 is perfect for use in colour-critical applications with 92CRI delivered from a single source LED module and available in two colour temperatures as standard. Tool-less, site changeable beam angles allow flexibility in varying environments. Machined from 6063-T6 aluminium, Minimo 16 Fixed Trimless features a 33mm pinhole aperture for a minimal and extremely low glare solution. Minimo 16 Fixed delivers a lumen package of 665lm at 8.4W.

Mechanical

Category Interior use only IP20

Material Machined Aluminium

Configuration Trimless | Pinhole Aperture

Cutout ø65mm

Ceiling Thickness 5mm min.

Ceiling Void 20mm above module

Weight 294g

Finishes

Finishes Black | White *

* Please enquire as to the availability of non-standard Finishes

Optical

System Power 8.4W

Module Output 665lm**

Absolute Output 653lm**

LOR 98%

Glare Cut Off 44°

Glare Comfort Cut Off 90°

** Photometry shown is correct for 3000K module. Please enquire for 2700K module output.

Colour Temperature 2700K | 3000K

CRI 92 Typ

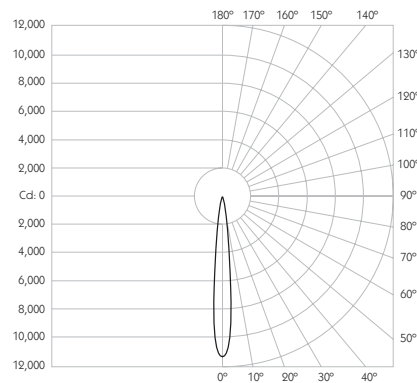
TM-30 Rf: 90 Rg: 99

Beam Angle 11°

Gear Type Dimmable Options Available

Gear Location Remote

Product Photometry independently tested in accordance with LM-79



Distance (m)	Beam Diameter (m)	Illuminance (lx)
1m	0.19m	11,164 lx
2m	0.39m	2,791 lx
3m	0.58m	1,240 lx
4m	0.77m	698 lx
5m	0.96m	447 lx

Luminaire Code

RCT-632

Finish

BK

Black

WH

White

CCT

27

2700K

30

3000K

CRI

92

92 CRI

Beam Angle

11

11° Narrow Spot

RCT-632

92

11

PRECISION
LIGHTING

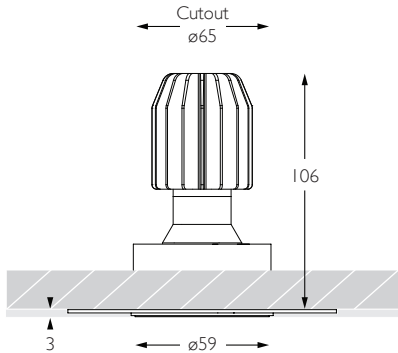
SALES@PRECISIONLIGHTING.CO.UK

WWW.PRECISIONLIGHTING.CO.UK

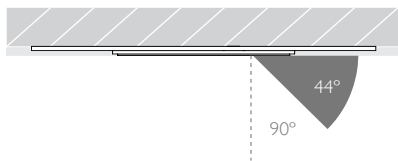
42 RIVERSIDE ROAD
LONDON SW17 0BA

t. +44 (0) 20 8947 6616
f. +44 (0) 20 8286 6626

SPOT | TRIMLESS | PINHOLE APERTURE

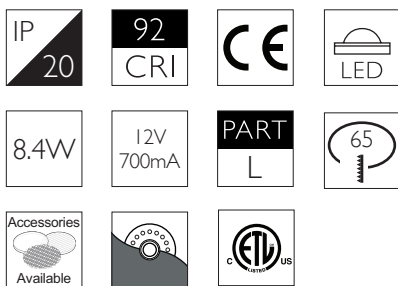


Glare Diagram



Cut Off: 44°

Glare Comfort Cut Off: 90°



Technical Description

Minimo 16 Fixed is a recessed LED luminaire providing high performance accent lighting from a compact source with minimal glare. Minimo 16 is perfect for use in colour-critical applications with 92CRI delivered from a single source LED module and available in two colour temperatures as standard. Tool-less, site changeable beam angles allow flexibility in varying environments. Machined from 6063-T6 aluminium, Minimo 16 Fixed Trimless features a 33mm pinhole aperture for a minimal and extremely low glare solution. Minimo 16 Fixed delivers a lumen package of 665lm at 8.4W.

Mechanical

Category Interior use only IP20

Material Machined Aluminium

Configuration Trimless | Pinhole Aperture

Cutout ø65mm

Ceiling Thickness 5mm min.

Ceiling Void 20mm above module

Weight 294g

Finishes

Finishes Black | White *

* Please enquire as to the availability of non-standard Finishes

Optical

System Power 8.4W

Module Output 665lm**

Absolute Output 656lm**

LOR 99%

Glare Cut Off 44°

Glare Comfort Cut Off 90°

** Photometry shown is correct for 3000K module. Please enquire for 2700K module output.

Colour Temperature 2700K | 3000K

CRI 92 Typ

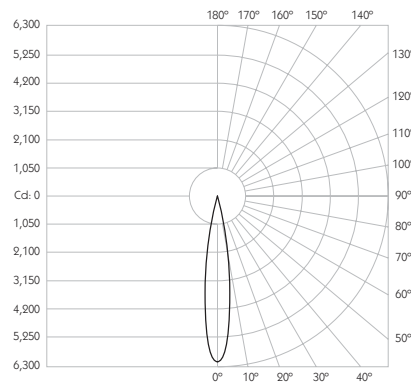
TM-30 Rf: 90 Rg: 99

Beam Angle 15°

Gear Type Dimmable Options Available

Gear Location Remote

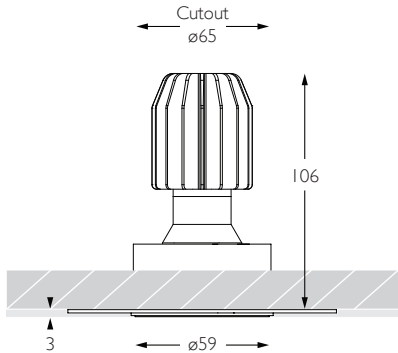
Product Photometry independently tested in accordance with LM-79



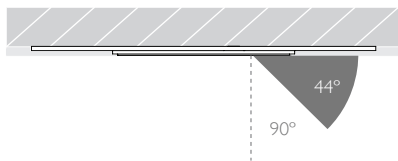
Distance	Beam Diameter	Illuminance (lx)
1m	0.26m	6,047 lx
2m	0.53m	1,152 lx
3m	0.79m	672 lx
4m	1.05m	378 lx
5m	1.32m	242 lx

Luminaire Code	Finish	CCT	CRI	Beam Angle
RCT-632	BK Black WH White	27 2700K 30 3000K	92 92 CRI	15 15° Spot

RCT-632	-	-	92	15
---------	---	---	----	----

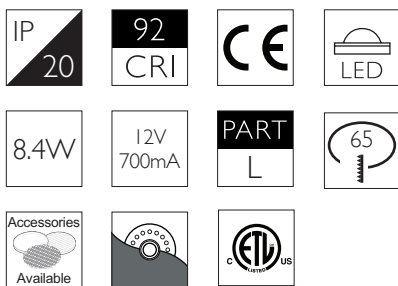


Glare Diagram



Cut Off: 44°

Glare Comfort Cut Off: 90°



Technical Description

Minimo 16 Fixed is a recessed LED luminaire providing high performance accent lighting from a compact source with minimal glare. Minimo 16 is perfect for use in colour-critical applications with 92CRI delivered from a single source LED module and available in two colour temperatures as standard. Tool-less, site changeable beam angles allow flexibility in varying environments. Machined from 6063-T6 aluminium, Minimo 16 Fixed Trimless features a 33mm pinhole aperture for a minimal and extremely low glare solution. Minimo 16 Fixed delivers a lumen package of 665lm at 8.4W.

Mechanical

Category Interior use only IP20

Material Machined Aluminium

Configuration Trimless | Pinhole Aperture

Cutout \varnothing 65mm

Ceiling Thickness 5mm min.

Ceiling Void 20mm above module

Weight 294g

Finishes

Finishes Black | White *

* Please enquire as to the availability of non-standard Finishes

Optical

System Power 8.4W

Module Output 665lm**

Absolute Output 569lm**

LOR 86%

Glare Cut Off 44°

Glare Comfort Cut Off 90°

** Photometry shown is correct for 3000K module. Please enquire for 2700K module output.

Colour Temperature 2700K | 3000K

CRI 92 Typ

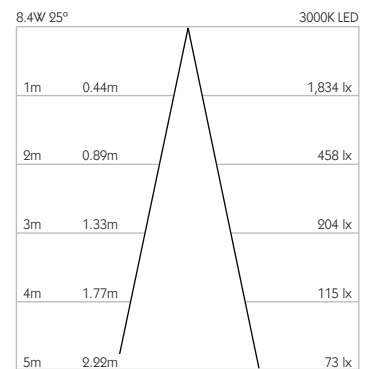
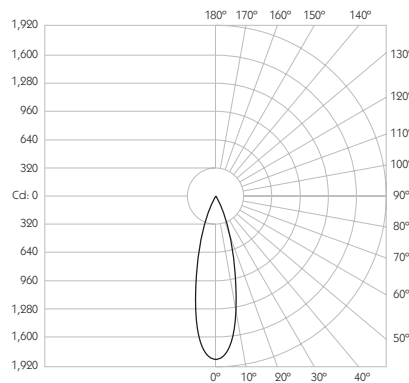
TM-30 Rf: 90 Rg: 99

Beam Angle 25°

Gear Type Dimmable Options Available

Gear Location Remote

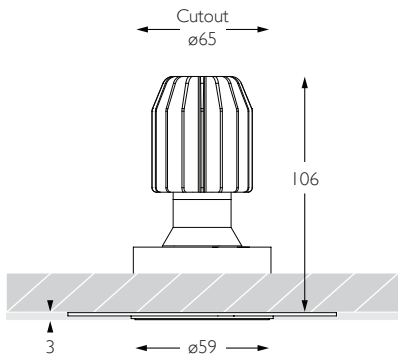
Product Photometry independently tested in accordance with LM-79



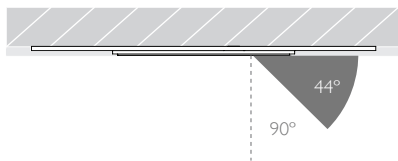
Luminaire Code	Finish	CCT	CRI	Beam Angle												
RCT-632	<table border="1"> <tr><td>BK</td><td>Black</td></tr> <tr><td>WH</td><td>White</td></tr> </table>	BK	Black	WH	White	<table border="1"> <tr><td>27</td><td>2700K</td></tr> <tr><td>30</td><td>3000K</td></tr> </table>	27	2700K	30	3000K	<table border="1"> <tr><td>92</td><td>92 CRI</td></tr> </table>	92	92 CRI	<table border="1"> <tr><td>25</td><td>25° Flood</td></tr> </table>	25	25° Flood
BK	Black															
WH	White															
27	2700K															
30	3000K															
92	92 CRI															
25	25° Flood															

RCT-632	-	-	92	25
---------	---	---	----	----

WIDE FLOOD | TRIMLESS | PINHOLE APERTURE

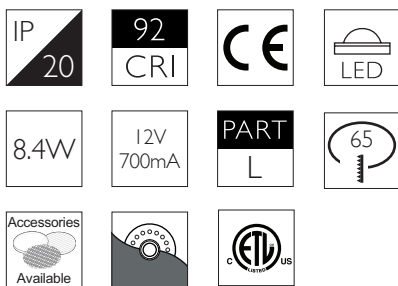


Glare Diagram



Cut Off: 44°

Glare Comfort Cut Off: 90°



Technical Description

Minimo 16 Fixed is a recessed LED luminaire providing high performance accent lighting from a compact source with minimal glare. Minimo 16 is perfect for use in colour-critical applications with 92CRI delivered from a single source LED module and available in two colour temperatures as standard. Tool-less, site changeable beam angles allow flexibility in varying environments. Machined from 6063-T6 aluminium, Minimo 16 Fixed Trimless features a 33mm pinhole aperture for a minimal and extremely low glare solution. Minimo 16 Fixed delivers a lumen package of 665lm at 8.4W.

Mechanical

Category Interior use only IP20

Material Machined Aluminium

Configuration Trimless | Pinhole Aperture

Cutout ø65mm

Ceiling Thickness 5mm min.

Ceiling Void 20mm above module

Weight 294g

Finishes

Finishes Black | White *

* Please enquire as to the availability of non-standard finishes

Optical

System Power 8.4W

Module Output 665lm**

Absolute Output 544lm**

LOR 82%

Glare Cut Off 44°

Glare Comfort Cut Off 90°

** Photometry shown is correct for 3000K module. Please enquire for 2700K module output.

Colour Temperature 2700K | 3000K

CRI 92 Typ

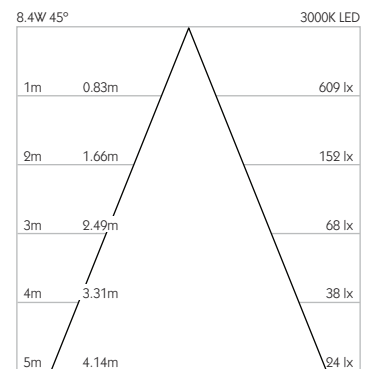
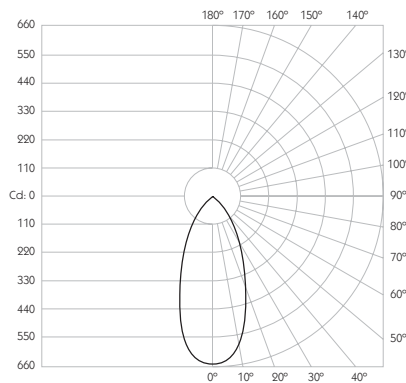
TM-30 Rf: 90 Rg: 99

Beam Angle 45°

Gear Type Dimmable Options Available

Gear Location Remote

Product Photometry independently tested in accordance with LM-79



Luminaire Code	Finish	CCT	CRI	Beam Angle												
RCT-632	<table border="1"> <tr><td>BK</td><td>Black</td></tr> <tr><td>WH</td><td>White</td></tr> </table>	BK	Black	WH	White	<table border="1"> <tr><td>27</td><td>2700K</td></tr> <tr><td>30</td><td>3000K</td></tr> </table>	27	2700K	30	3000K	<table border="1"> <tr><td>92</td><td>92 CRI</td></tr> </table>	92	92 CRI	<table border="1"> <tr><td>45</td><td>45° Wide Flood</td></tr> </table>	45	45° Wide Flood
BK	Black															
WH	White															
27	2700K															
30	3000K															
92	92 CRI															
45	45° Wide Flood															

RCT-632	-	-	92	45
---------	---	---	----	----