

TECHNICAL DESCRIPTION

Atto S is a Constant Current single source LED spotlight that is machined from aerospace grade aluminium 6063-T6 and comes as standard in white, black and brushed aluminium along with three premium brass finishes. It has four site-changeable optics for flexible beam distribution and is fully adjustable with lockable 360° pan and 180° tilt. The narrow beam in our 1.12W 102lm module has a peak intensity of 794cd. A snoot and accessory holder is available separately.

MECHANICAL & ELECTRICAL

CATEGORY IP20	WATTAGE 1.12W
MATERIAL Machined AL 6063-T6 Machined Brass	FORWARD VOLTAGE 3.2V
PAN 360°	DRIVE CURRENT 350mA
TILT 180°	SUPPLY TYPE Constant Current
LOCKABLE Pan & Tilt	DRIVER LOCATION Remote
WEIGHT 43g 0.09lb	DIMMING DALI 0-10V 1-10V Casambi

MOUNTING

MOUNTING M10 / Screw Fixing	CUTOUT N/A
CEILING THICKNESS N/A	MIN CEILING VOID N/A

FINISHES

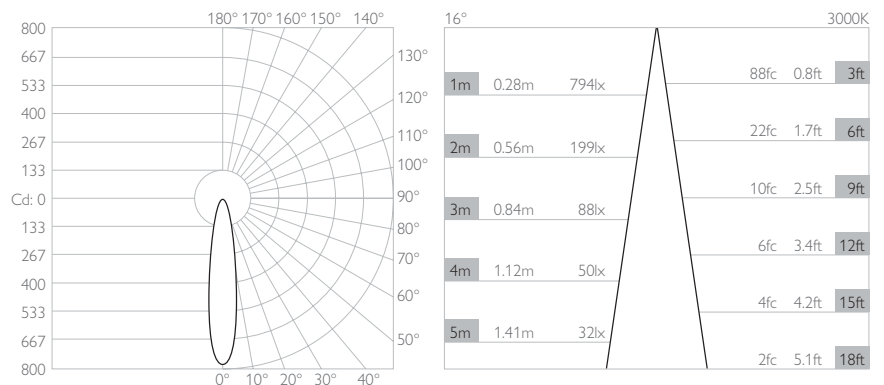
FINISHES Brushed Aluminium | White RAL9010 | Matte Black Anodised | Rubbed Bronze* | Polished Brass* | Brushed Brass*
*Premium & custom finishes are built & finished to order. These are subject to an extended lead time & MOQ.

OPTICAL & STANDARDS

NOMINAL LUMENS 102lm	BEAM ANGLE 16°
DELIVERED LUMENS 94lm	CRI 95 TYP
COLOUR TEMPERATURE 2700K 3000K	TM-30 RF: 93 RG: 99
ACCESSORY HOLDER N/A	WARRANTY 5 Years
ACCESSORIES Snoots	LIFETIME L90B10 100,000hrs
TM65 7.04kgCO2e	STANDARDS
TM66 2.4	



Photometry shown is for 3000K module. Please enquire for other CCT photometry.



FINISH

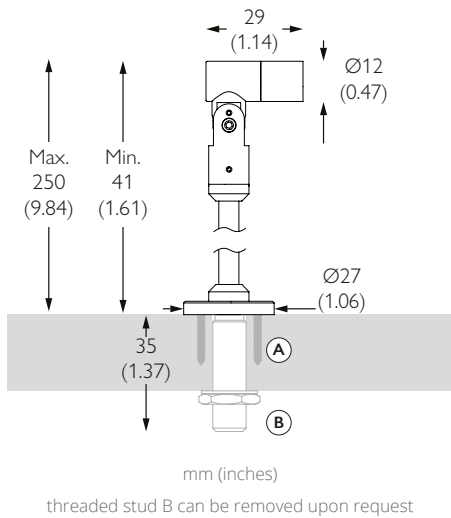
LED CCT

BEAM ANGLE

763			
<ul style="list-style-type: none"> WH White 9010 EBA Black 9005 AL Brushed Aluminium RB Rubbed Bronze* PB Polished Brass* SB Brushed Brass* 	<ul style="list-style-type: none"> 2795 2700K 95CRI 3095 3000K 95CRI 	<ul style="list-style-type: none"> 16 Narrow 23 Medium 45 Flood 90 Wide Flood 	

Example Code: 763-WH-309516

*Premium & custom finishes are built to order, subject to an extended lead time & MOQ



TECHNICAL DESCRIPTION

Atto S is a Constant Current single source LED spotlight that is machined from aerospace grade aluminium 6063-T6 and comes as standard in white, black and brushed aluminium along with three premium brass finishes. It has four site-changeable optics for flexible beam distribution and is fully adjustable with lockable 360° pan and 180° tilt. The medium beam in our 1.12W 102lm module has a peak intensity of 359cd. A snoot and accessory holder is available separately.

MECHANICAL & ELECTRICAL

CATEGORY IP20	WATTAGE 1.12W
MATERIAL Machined AL 6063-T6 Machined Brass	FORWARD VOLTAGE 3.2V
PAN 360°	DRIVE CURRENT 350mA
TILT 180°	SUPPLY TYPE Constant Current
LOCKABLE Pan & Tilt	DRIVER LOCATION Remote
WEIGHT 43g 0.09lb	DIMMING DALI 0-10V 1-10V Casambi

MOUNTING

MOUNTING M10 / Screw Fixing	CUTOUT N/A
CEILING THICKNESS N/A	MIN CEILING VOID N/A

FINISHES

FINISHES Brushed Aluminium | White RAL9010 | Matte Black Anodised | Rubbed Bronze* | Polished Brass* | Brushed Brass *

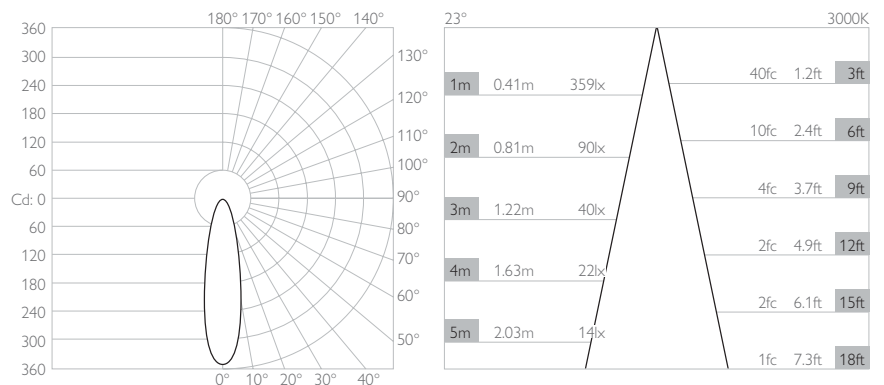
*Premium & custom finishes are built & finished to order. These are subject to an extended lead time & MOQ.

OPTICAL & STANDARDS

NOMINAL LUMENS 102lm	BEAM ANGLE 23°
DELIVERED LUMENS 92lm	CRI 95 TYP
COLOUR TEMPERATURE 2700K 3000K	TM-30 RF: 93 RG: 99
ACCESSORY HOLDER N/A	WARRANTY 5 Years
ACCESSORIES Snoots	LIFETIME L90B10 100,000hrs
TM65 7.04kgCO2e	STANDARDS
TM66 2.4	



Photometry shown is for 3000K module. Please enquire for other CCT photometry.



FINISH

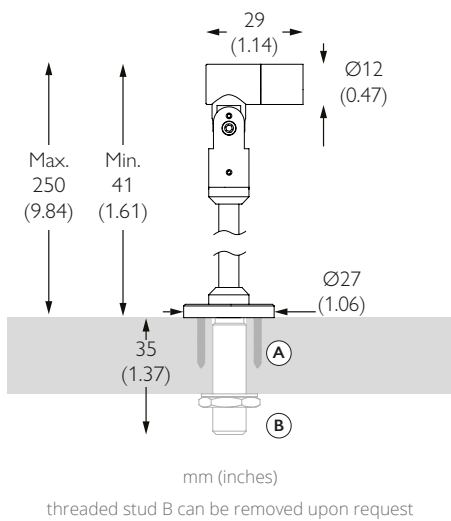
LED CCT

BEAM ANGLE

763	<ul style="list-style-type: none"> WH White 9010 EBA Black 9005 AL Brushed Aluminium RB Rubbed Bronze* PB Polished Brass* SB Brushed Brass* 	<ul style="list-style-type: none"> 2795 2700K 95CRI 3095 3000K 95CRI 	<ul style="list-style-type: none"> 16 Narrow 23 Medium 45 Flood 90 Wide Flood
-----	---	--	---

Example Code: 763-WH-309523

*Premium & custom finishes are built to order, subject to an extended lead time & MOQ



TECHNICAL DESCRIPTION

Atto S is a Constant Current single source LED spotlight that is machined from aerospace grade aluminium 6063-T6 and comes as standard in white, black and brushed aluminium along with three premium brass finishes. It has four site-changeable optics for flexible beam distribution and is fully adjustable with lockable 360° pan and 180° tilt. The flood beam in our 1.12W 102lm module has a peak intensity of 109cd. A snoot and accessory holder is available separately.

MECHANICAL & ELECTRICAL

CATEGORY IP20	WATTAGE 1.12W
MATERIAL Machined AL 6063-T6 Machined Brass	FORWARD VOLTAGE 3.2V
PAN 360°	DRIVE CURRENT 350mA
TILT 180°	SUPPLY TYPE Constant Current
LOCKABLE Pan & Tilt	DRIVER LOCATION Remote
WEIGHT 43g 0.09lb	DIMMING DALI 0-10V 1-10V Casambi

MOUNTING

MOUNTING M10 / Screw Fixing	CUTOUT N/A
CEILING THICKNESS N/A	MIN CEILING VOID N/A

FINISHES

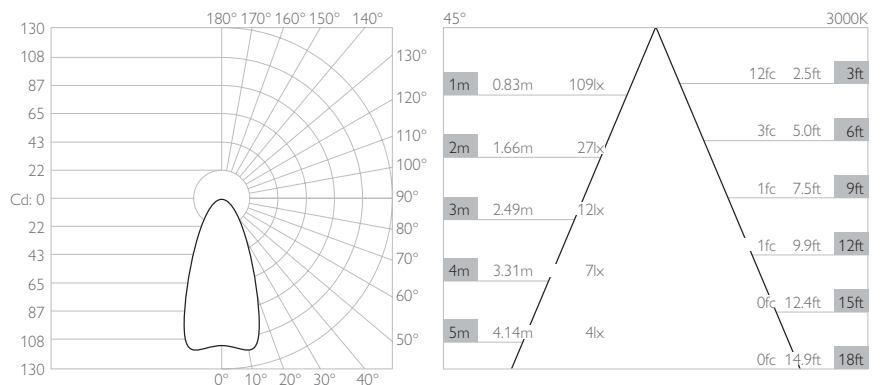
FINISHES Brushed Aluminium | White RAL9010 | Matte Black Anodised | Rubbed Bronze* | Polished Brass* | Brushed Brass*
*Premium & custom finishes are built & finished to order. These are subject to an extended lead time & MOQ.

OPTICAL & STANDARDS

NOMINAL LUMENS 102lm	BEAM ANGLE 45°
DELIVERED LUMENS 93lm	CRI 95 TYP
COLOUR TEMPERATURE 2700K 3000K	TM-30 RF: 93 RG: 99
ACCESSORY HOLDER N/A	WARRANTY 5 Years
ACCESSORIES Snoots	LIFETIME L90B10 100,000hrs
TM65 7.04kgCO2e	STANDARDS
TM66 2.4	



Photometry shown is for 3000K module. Please enquire for other CCT photometry.



FINISH

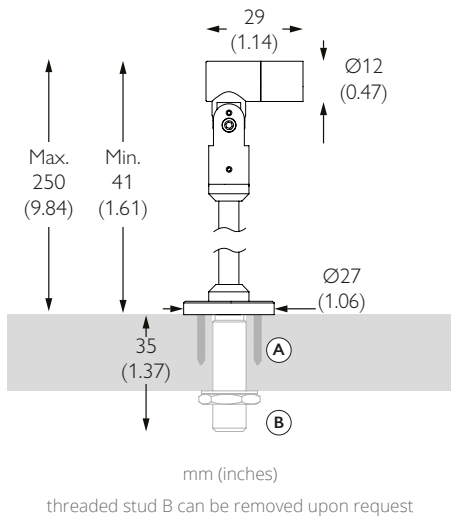
LED CCT

BEAM ANGLE

763	<ul style="list-style-type: none"> WH White 9010 EBA Black 9005 AL Brushed Aluminium RB Rubbed Bronze* PB Polished Brass* SB Brushed Brass* 	<ul style="list-style-type: none"> 2795 2700K 95CRI 3095 3000K 95CRI 	<ul style="list-style-type: none"> 16 Narrow 23 Medium 45 Flood 90 Wide Flood
-----	---	--	---

Example Code: 763-WH-309545

*Premium & custom finishes are built to order, subject to an extended lead time & MOQ



TECHNICAL DESCRIPTION

Atto S is a Constant Current single source LED spotlight that is machined from aerospace grade aluminium 6063-T6 and comes as standard in white, black and brushed aluminium along with three premium brass finishes. It has four site-changeable optics for flexible beam distribution and is fully adjustable with lockable 360° pan and 180° tilt. The wide flood beam in our 1.12W 102lm module has a peak intensity of 26cd. A snoot and accessory holder is available separately.

MECHANICAL & ELECTRICAL

CATEGORY IP20	WATTAGE 1.12W
MATERIAL Machined AL 6063-T6 Machined Brass	FORWARD VOLTAGE 3.2V
PAN 360°	DRIVE CURRENT 350mA
TILT 180°	SUPPLY TYPE Constant Current
LOCKABLE Pan & Tilt	DRIVER LOCATION Remote
WEIGHT 43g 0.09lb	DIMMING DALI 0-10V 1-10V Casambi

MOUNTING

MOUNTING M10 / Screw Fixing	CUTOUT N/A
CEILING THICKNESS N/A	MIN CEILING VOID N/A

FINISHES

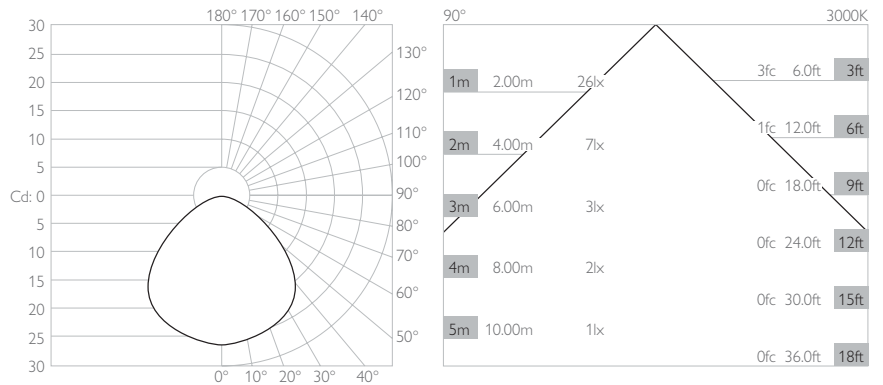
FINISHES Brushed Aluminium | White RAL9010 | Matte Black Anodised | Rubbed Bronze* | Polished Brass* | Brushed Brass*
*Premium & custom finishes are built & finished to order. These are subject to an extended lead time & MOQ.

OPTICAL & STANDARDS

NOMINAL LUMENS 102lm	BEAM ANGLE 90°
DELIVERED LUMENS 69lm	CRI 95 TYP
COLOUR TEMPERATURE 2700K 3000K	TM-30 RF: 93 RG: 99
ACCESSORY HOLDER N/A	WARRANTY 5 Years
ACCESSORIES Snoots	LIFETIME L90B10 100,000hrs
TM65 7.04kgCO2e	STANDARDS
TM66 2.4	



Photometry shown is for 3000K module. Please enquire for other CCT photometry.



FINISH

LED CCT

BEAM ANGLE

763	—	—	—
<ul style="list-style-type: none"> WH White 9010 EBA Black 9005 AL Brushed Aluminium RB Rubbed Bronze* PB Polished Brass* SB Brushed Brass* 	—	<ul style="list-style-type: none"> 2795 2700K 95CRI 3095 3000K 95CRI 	<ul style="list-style-type: none"> 16 Narrow 23 Medium 45 Flood 90 Wide Flood

Example Code: 763-WH-309590

*Premium & custom finishes are built to order, subject to an extended lead time & MOQ

ATTO

DRIVER COMPATIBILITY

20W | DIMMING: DALI OR 0-10V

NO. OF LIGHTS PER DRIVER 1 to 12 in series
MIN DIM LEVEL 0.1%
VOLTAGE REGION 230V
FOR NORTH AMERICA No
WATTAGE 20W
SUPPLY TYPE Constant Current
DRIVER LOCATION Remote
MANUFACTURER Eldoled



DALI CODE PSCC-20-350-D-EL
0-10V CODE PSCC-20-350-A-EL

LENGTH 160mm (6.30") **WIDTH** 41mm (1.63") **HEIGHT** 30mm (1.18")



30W | DIMMING: DALI OR 0-10V

NO. OF LIGHTS PER DRIVER 1 to 16 in series
MIN DIM LEVEL 0.1%
VOLTAGE REGION 120V
FOR NORTH AMERICA Yes
WATTAGE 30W
SUPPLY TYPE Constant Current
DRIVER LOCATION Remote
MANUFACTURER Eldoled



DALI CODE USCC-30-350-D-EL-ENC
0-10V CODE USCC-30-350-A-EL-ENC

LENGTH 348mm (13.7") **WIDTH** 65mm (2.6") **HEIGHT** 47mm (1.9")



12W | DIMMING: PHASE

NO. OF LIGHTS PER DRIVER 3 to 10 in series
MIN DIM LEVEL 1%
VOLTAGE REGION 120V
FOR NORTH AMERICA Yes
WATTAGE 12W
SUPPLY TYPE Constant Current
DRIVER LOCATION Remote
MANUFACTURER Hatch



PHASE CODE USCC-12-350-P-HT-ENC

LENGTH 247mm (9.7") **WIDTH** 65mm (2.6") **HEIGHT** 47mm (1.9")

