

NARROW



TECHNICAL DESCRIPTION

Pico Long Snoot S Jack is a Constant Current single source LED spotlight that is machined from aerospace grade aluminium 6063-T6 and comes as standard in white, black and brushed aluminium. It has three site-changeable optics for flexible beam distribution and is fully adjustable with lockable 360° pan and 180° tilt. The narrow beam in our 2.24W 180lm module has a peak intensity of 1566cd. The luminaire is compatible with our Minipoint system that enables a plug and play setup where luminaires can be swapped to suit changing lighting requirements.

MECHANICAL & ELECTRICAL

| | |
|-------------------------------------|-------------------------------------|
| CATEGORY IP20 | WATTAGE 2.24W |
| MATERIAL Machined AL 6063-T6 | FORWARD VOLTAGE 3.2V |
| PAN 360° | DRIVE CURRENT 700mA |
| TILT 180° | SUPPLY TYPE Constant Current |
| LOCKABLE Pan & Tilt | DRIVER LOCATION Remote |
| WEIGHT 121g 0.27lb | DIMMING DALI 0-10V 1-10V |

MOUNTING

| | |
|---|---------------------------------------|
| MOUNTING Minipoints | CUTOUT ø18mm (0.71") minipoint |
| CEILING THICKNESS 30mm (1.18") max | MIN CEILING VOID N/A |

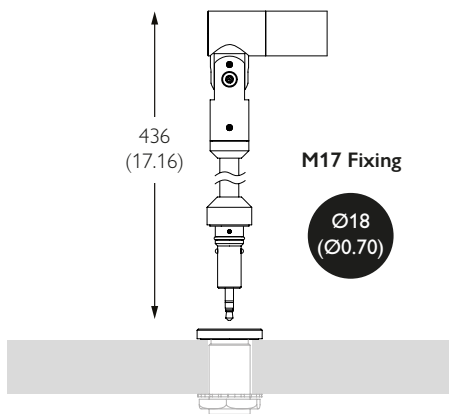
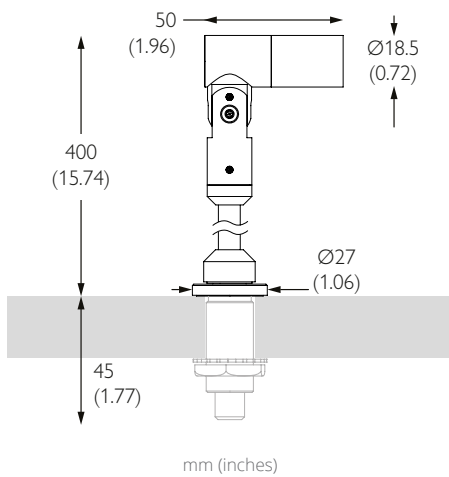
FINISHES

FINISHES Brushed Aluminium | Black RAL9005 | White RAL9010

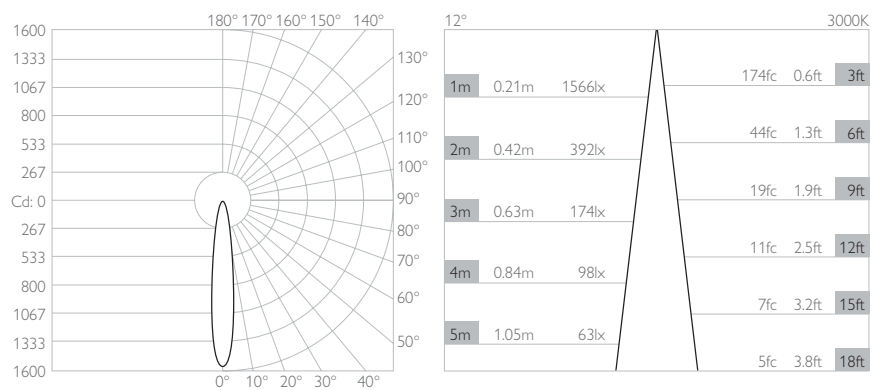
*Premium & custom finishes are built & finished to order. These are subject to an extended lead time & MOQ.

OPTICAL & STANDARDS

| | |
|---|----------------------------|
| NOMINAL LUMENS 180lm | BEAM ANGLE 12° |
| DELIVERED LUMENS 164lm | CRI 95 TYP |
| COLOUR TEMPERATURE 2700K 3000K | TM-30 RF: 93 RG: 99 |
| ACCESSORY HOLDER N/A | WARRANTY 5 Years |
| ACCESSORIES Snoots | STANDARDS |



Photometry shown is for 3000K module. Please enquire for other CCT photometry. L90 50,000 hours.



LUMINAIRE FINISH

| | White 9010 | Matt Anodised Black | Brushed Aluminium | Rubbed Bronze* | Polished Brass* | Brushed Brass* |
|-------------------|-------------------|---------------------|-------------------|-------------------|-------------------|-------------------|
| Without Minipoint | 805-WH-XX9512 | 805-EBA-XX9512 | 805-AL-XX9512 | 805-RB-XX9512 | 805-PB-XX9512 | 805-SB-XX9512 |
| With Minipoint | M-A-805-WH-XX9512 | M-A-805-EBA-XX9512 | M-A-805-AL-XX9512 | M-A-805-RB-XX9512 | M-A-805-PB-XX9512 | M-A-805-SB-XX9512 |

*All premium & custom finishes are built & finished to order. These are subject to an extended lead time & MOQ

For 3000K Substitute XX with 30

For 2700K Substitute XX with 27

MEDIUM



TECHNICAL DESCRIPTION

Pico Long Snoot S Jack is a Constant Current single source LED spotlight that is machined from aerospace grade aluminium 6063-T6 and comes as standard in white, black and brushed aluminium. It has three site-changeable optics for flexible beam distribution and is fully adjustable with lockable 360° pan and 180° tilt. The medium beam in our 2.24W 180lm module has a peak intensity of 470cd. The luminaire is compatible with our Minipoint system that enables a plug and play setup where luminaires can be swapped to suit changing lighting requirements.

MECHANICAL & ELECTRICAL

| | |
|-------------------------------------|-------------------------------------|
| CATEGORY IP20 | WATTAGE 2.24W |
| MATERIAL Machined AL 6063-T6 | FORWARD VOLTAGE 3.2V |
| PAN 360° | DRIVE CURRENT 700mA |
| TILT 180° | SUPPLY TYPE Constant Current |
| LOCKABLE Pan & Tilt | DRIVER LOCATION Remote |
| WEIGHT 121g 0.27lb | DIMMING DALI 0-10V 1-10V |

MOUNTING

| | |
|---|---------------------------------------|
| MOUNTING Minipoints | CUTOUT ø18mm (0.71") minipoint |
| CEILING THICKNESS 30mm (1.18") max | MIN CEILING VOID N/A |

FINISHES

FINISHES Brushed Aluminium | Black RAL9005 | White RAL9010

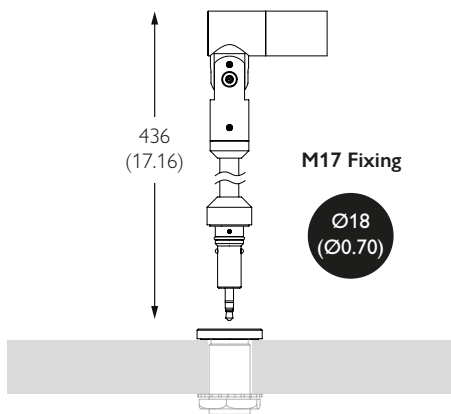
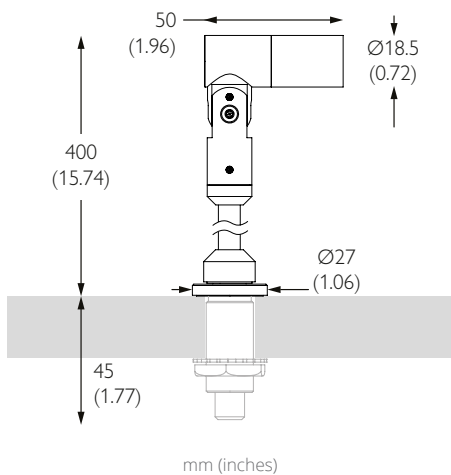
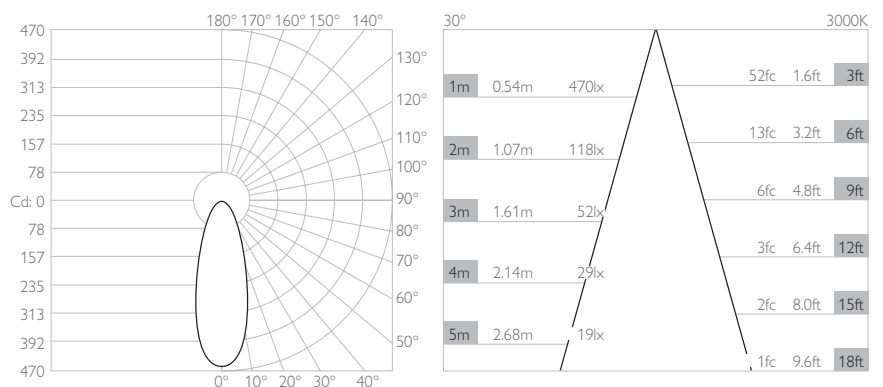
*Premium & custom finishes are built & finished to order. These are subject to an extended lead time & MOQ.

OPTICAL & STANDARDS

| | |
|---|----------------------------|
| NOMINAL LUMENS 180lm | BEAM ANGLE 30° |
| DELIVERED LUMENS 150lm | CRI 95 TYP |
| COLOUR TEMPERATURE 2700K 3000K | TM-30 RF: 93 RG: 99 |
| ACCESSORY HOLDER N/A | WARRANTY 5 Years |
| ACCESSORIES Snoots | STANDARDS |



Photometry shown is for 3000K module. Please enquire for other CCT photometry. L90 50,000 hours.



LUMINAIRE FINISH

| | White 9010 | Matt Anodised Black | Brushed Aluminium | Rubbed Bronze* | Polished Brass* | Brushed Brass* |
|-------------------|-------------------|---------------------|-------------------|-------------------|-------------------|-------------------|
| Without Minipoint | 805-WH-XX9530 | 805-EBA-XX9530 | 805-AL-XX9530 | 805-RB-XX9530 | 805-PB-XX9530 | 805-SB-XX9530 |
| With Minipoint | M-A-805-WH-XX9530 | M-A-805-EBA-XX9530 | M-A-805-AL-XX9530 | M-A-805-RB-XX9530 | M-A-805-PB-XX9530 | M-A-805-SB-XX9530 |

*All premium & custom finishes are built & finished to order. These are subject to an extended lead time & MOQ

For 3000K Substitute XX with 30

For 2700K Substitute XX with 27

FLOOD



TECHNICAL DESCRIPTION

Pico Long Snoot S Jack is a Constant Current single source LED spotlight that is machined from aerospace grade aluminium 6063-T6 and comes as standard in white, black and brushed aluminium. It has three site-changeable optics for flexible beam distribution and is fully adjustable with lockable 360° pan and 180° tilt. The flood beam in our 2.24W 180lm module has a peak intensity of 163cd. The luminaire is compatible with our Minipoint system that enables a plug and play setup where luminaires can be swapped to suit changing lighting requirements.

MECHANICAL & ELECTRICAL

| | |
|-------------------------------------|-------------------------------------|
| CATEGORY IP20 | WATTAGE 2.24W |
| MATERIAL Machined AL 6063-T6 | FORWARD VOLTAGE 3.2V |
| PAN 360° | DRIVE CURRENT 700mA |
| TILT 180° | SUPPLY TYPE Constant Current |
| LOCKABLE Pan & Tilt | DRIVER LOCATION Remote |
| WEIGHT 121g 0.27lb | DIMMING DALI 0-10V 1-10V |

MOUNTING

| | |
|---|---------------------------------------|
| MOUNTING Minipoints | CUTOUT ø18mm (0.71") minipoint |
| CEILING THICKNESS 30mm (1.18") max | MIN CEILING VOID N/A |

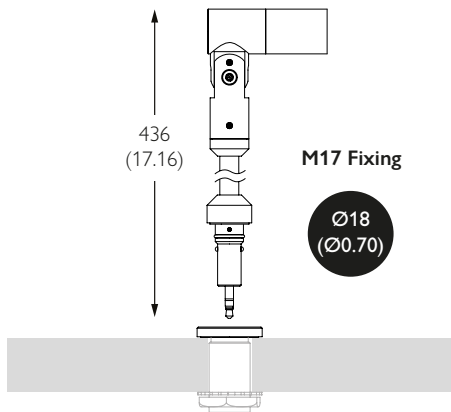
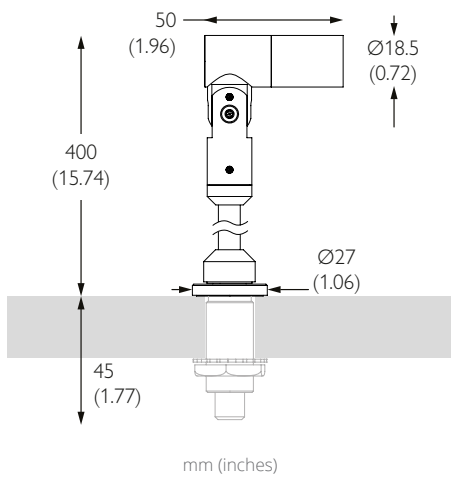
FINISHES

FINISHES Brushed Aluminium | Black RAL9005 | White RAL9010

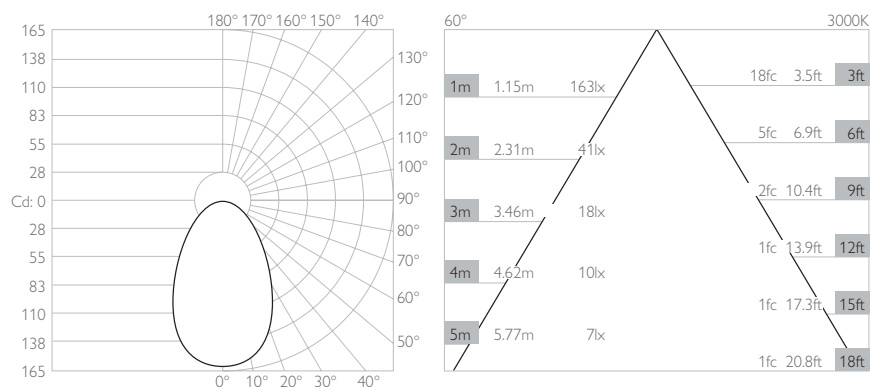
*Premium & custom finishes are built & finished to order. These are subject to an extended lead time & MOQ.

OPTICAL & STANDARDS

| | |
|---|----------------------------|
| NOMINAL LUMENS 180lm | BEAM ANGLE 60° |
| DELIVERED LUMENS 163lm | CRI 95 TYP |
| COLOUR TEMPERATURE 2700K 3000K | TM-30 RF: 93 RG: 99 |
| ACCESSORY HOLDER N/A | WARRANTY 5 Years |
| ACCESSORIES Snoots | STANDARDS |



Photometry shown is for 3000K module. Please enquire for other CCT photometry. L90 50,000 hours.



LUMINAIRE FINISH

| | White 9010 | Matt Anodised Black | Brushed Aluminium | Rubbed Bronze* | Polished Brass* | Brushed Brass* |
|-------------------|-------------------|---------------------|-------------------|-------------------|-------------------|-------------------|
| Without Minipoint | 805-WH-XX9560 | 805-EBA-XX9560 | 805-AL-XX9560 | 805-RB-XX9560 | 805-PB-XX9560 | 805-SB-XX9560 |
| With Minipoint | M-A-805-WH-XX9560 | M-A-805-EBA-XX9560 | M-A-805-AL-XX9560 | M-A-805-RB-XX9560 | M-A-805-PB-XX9560 | M-A-805-SB-XX9560 |

*All premium & custom finishes are built & finished to order. These are subject to an extended lead time & MOQ

For 3000K Substitute XX with 30

For 2700K Substitute XX with 27