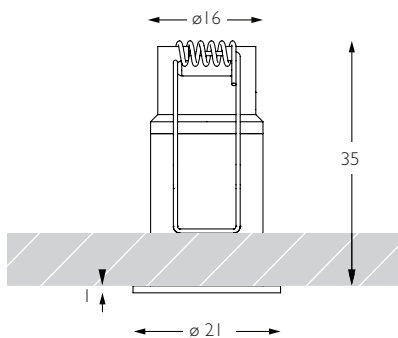
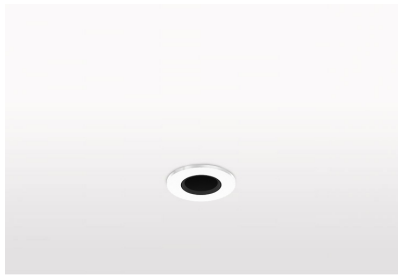


NARROW SPOT



Technical Description

Atto R is a miniature recessed, display orientated LED spotlight that comes as standard in white, black and brushed aluminium finishes. It has four site changeable optics for flexible distribution. The narrow spot beam in our 1W 102lm module has a peak intensity of 794cd. The Atto R has a fixed vertical light engine.

Mechanical & Electrical

Category Interior use only IP20

Weight 14g

Material Aluminium I Brass

Ceiling Void 20mm above module

Cutout 16 - 17mm

Forward Voltage 3V

Ceiling Thickness 3 - 29mm

Current 350mA

Finishes

Finishes Brushed Aluminium I Black I White I Brass I Custom*

* Please enquire as to the availability of non-standard Finishes

Optical

System Power 1W

Colour Temperature 3000K*

Module Output 102lm*

CRI 95 TYP

Absolute Output 94lm

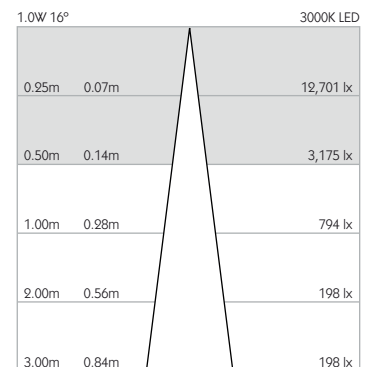
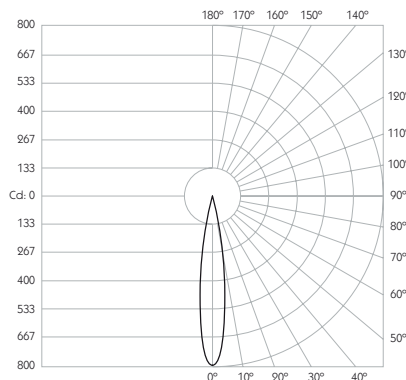
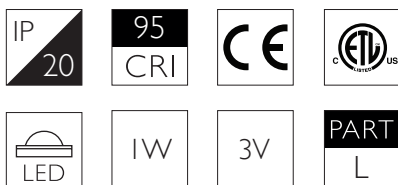
TM-30 RF: 93 RG: 99

LOR 92

Beam Angle 16°

Gear Type Dimmable available

** Photometry shown is correct for 3000K module. Please enquire for 2700K module output.

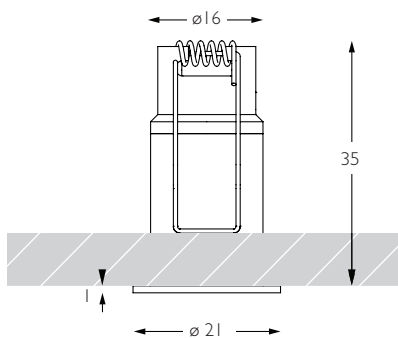
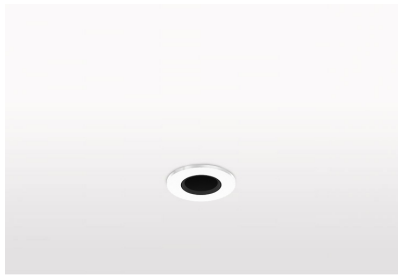


Finish	Part Number
Brushed Aluminium	RC-765-AL-XX9516
White 9010	RC-765-WH-XX9516
Matte Anodised Black	RC-765-BA-XX9516
Rubbed Bronze *	RC-765-RB-XX9516
Polished Brass *	RC-765-PB-XX9516
Brushed Brass *	RC-765-SB-XX9516

For 3000K Substitute XX with 30 - For 2700K Substitute XX with 27

*All Brass and Bronze finishes are made to order and subject to MOQ

MEDIUM



Technical Description

Atto R is a miniature recessed, display orientated LED spotlight that comes as standard in white, black and brushed aluminium finishes. It has four site changeable optics for flexible distribution. The medium beam in our 1W 102lm module has a peak intensity of 359cd. The Atto R has a fixed vertical light engine.

Mechanical & Electrical

Category Interior use only IP20

Weight 14g

Material Aluminium I Brass

Ceiling Void 20mm above module

Cutout 16 - 17mm

Forward Voltage 3V

Ceiling Thickness 3 - 29mm

Current 350mA

Finishes

Finishes Brushed Aluminium I Black I White I Brass I Custom*

* Please enquire as to the availability of non-standard Finishes

Optical

System Power 1W

Colour Temperature 3000K*

Module Output 102lm*

CRI 95 TYP

Absolute Output 92lm

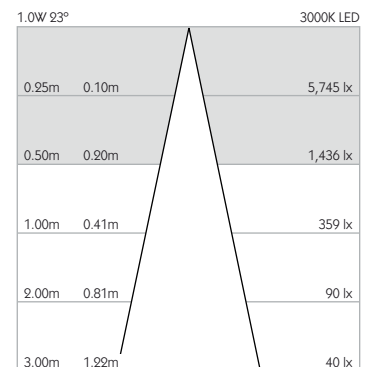
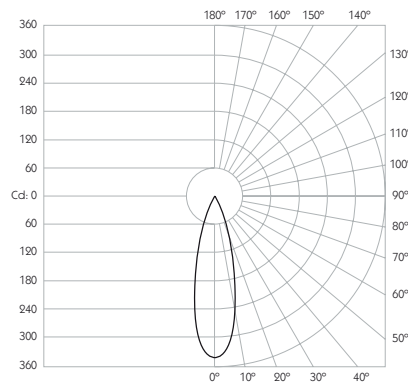
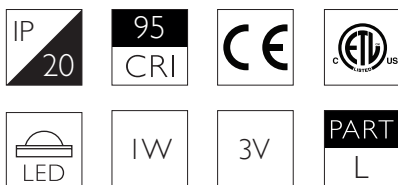
TM-30 RF: 93 RG: 99

LOR 90

Beam Angle 23°

Gear Type Dimmable available

** Photometry shown is correct for 3000K module. Please enquire for 2700K module output.

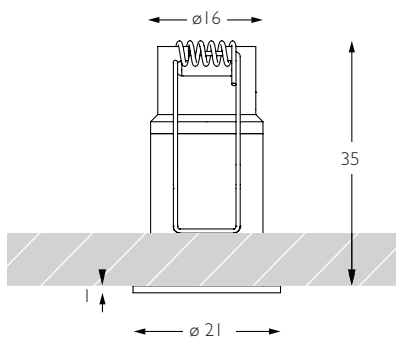
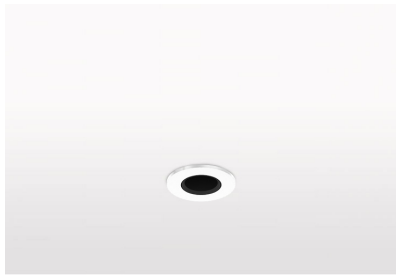


Finish	Part Number
Brushed Aluminium	RC-765-AL-XX9523
White 9010	RC-765-WH-XX9523
Matte Anodised Black	RC-765-BA-XX9523
Rubbed Bronze *	RC-765-RB-XX9523
Polished Brass *	RC-765-PB-XX9523
Brushed Brass *	RC-765-SB-XX9523

For 3000K Substitute XX with 30 - For 2700K Substitute XX with 27

*All Brass and Bronze finishes are made to order and subject to MOQ

FLOOD



Technical Description

Atto R is a miniature recessed, display orientated LED spotlight that comes as standard in white, black and brushed aluminium finishes. It has four site changeable optics for flexible distribution. The flood beam in our 1W 102lm module has a peak intensity of 109cd. The Atto R has a fixed vertical light engine.

Mechanical & Electrical

Category Interior use only IP20

Weight 14g

Material Aluminium I Brass

Ceiling Void 20mm above module

Cutout 16 - 17mm

Forward Voltage 3V

Ceiling Thickness 3 - 29mm

Current 350mA

Finishes

Finishes Brushed Aluminium I Black I White I Brass I Custom*

* Please enquire as to the availability of non-standard Finishes

Optical

System Power 1W

Colour Temperature 3000K*

Module Output 102lm*

CRI 95 TYP

Absolute Output 93lm

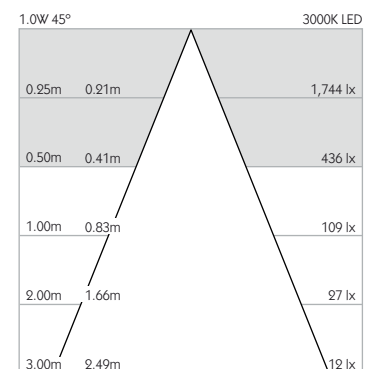
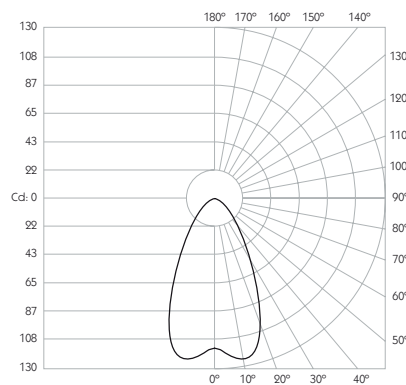
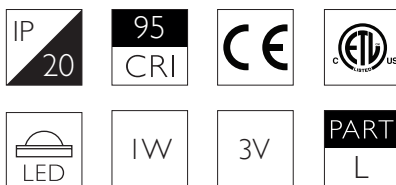
TM-30 RF: 93 RG: 99

LOR 91

Beam Angle 45°

Gear Type Dimmable available

** Photometry shown is correct for 3000K module. Please enquire for 2700K module output.

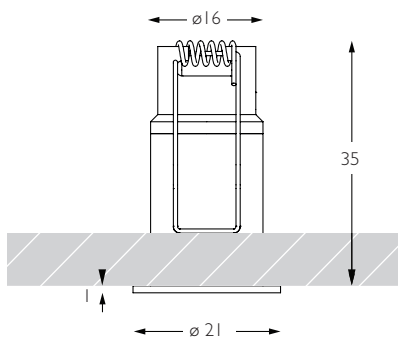


Finish	Part Number
Brushed Aluminium	RC-765-AL-XX9545
White 9010	RC-765-WH-XX9545
Matte Anodised Black	RC-765-BA-XX9545
Rubbed Bronze *	RC-765-RB-XX9545
Polished Brass *	RC-765-PB-XX9545
Brushed Brass *	RC-765-SB-XX9545

For 3000K Substitute XX with 30 - For 2700K Substitute XX with 27

*All Brass and Bronze finishes are made to order and subject to MOQ

WIDE FLOOD



Technical Description

Atto R is a miniature recessed, display orientated LED spotlight that comes as standard in white, black and brushed aluminium finishes. It has four site changeable optics for flexible distribution. The wide flood beam in our 1W 102lm module has a peak intensity of 26cd. The Atto R has a fixed vertical light engine.

Mechanical & Electrical

Category Interior use only IP20

Weight 14g

Material Aluminium I Brass

Ceiling Void 20mm above module

Cutout 16 - 17mm

Forward Voltage 3V

Ceiling Thickness 3 - 29mm

Current 350mA

Finishes

Finishes Brushed Aluminium I Black I White I Brass I Custom*

* Please enquire as to the availability of non-standard Finishes

Optical

System Power 1W

Colour Temperature 3000K*

Module Output 102lm*

CRI 95 TYP

Absolute Output 69lm

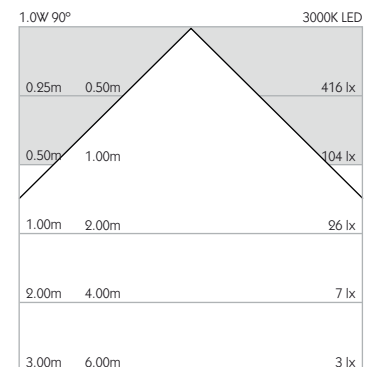
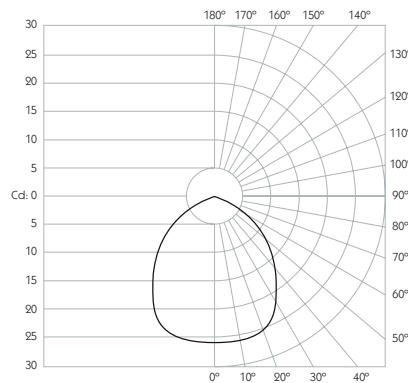
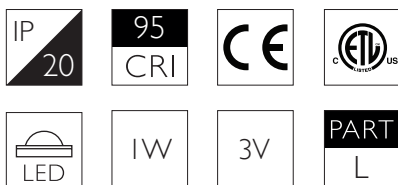
TM-30 RF: 93 RG: 99

LOR 68

Beam Angle 90°

Gear Type Dimmable available

** Photometry shown is correct for 3000K module. Please enquire for 2700K module output.



Finish	Part Number
Brushed Aluminium	RC-765-AL-XX9590
White 9010	RC-765-WH-XX9590
Matte Anodised Black	RC-765-BA-XX9590
Rubbed Bronze *	RC-765-RB-XX9590
Polished Brass *	RC-765-PB-XX9590
Brushed Brass *	RC-765-SB-XX9590

For 3000K Substitute XX with 30 - For 2700K Substitute XX with 27

*All Brass and Bronze finishes are made to order and subject to MOQ