

## ZOOM



### TECHNICAL DESCRIPTION

Pico Zoom S is an award-winning miniature, display orientated LED spotlight that comes as standard in white, black and brushed aluminium finishes. It features tool-less variable beam technology for flexible distribution between 12 and 30 degrees. The zoom beam in our 2.2W 180lm module has a peak intensity of 1276cd - 466cd. There is a 360 degree bearing aided rotation and 180 degree constant torque tilt mechanism, both lockable. There are 2 mounting methods, from the front using screws or from the rear using the M12 threaded stud. It has a fixed stem length as standard that can be customised on request.

### MECHANICAL & ELECTRICAL

**CATEGORY** Interior use only IP20

**MATERIAL** Aluminium

**LOCKABLE** Pan & Tilt

**ACCESSORIES** N/A

**MOUNT ACCESSORIES** Surface cable routing

**MOUNTING** M12 / Screw Fixing

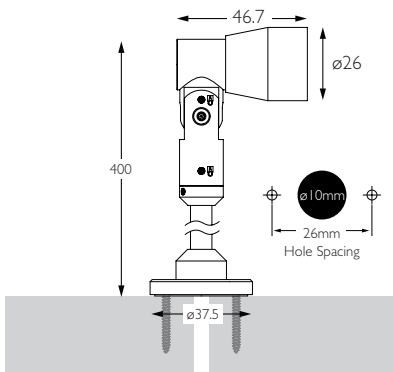
**SYSTEM POWER** 2.2W

**WEIGHT** 108g

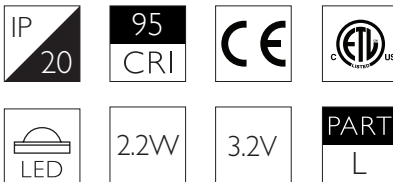
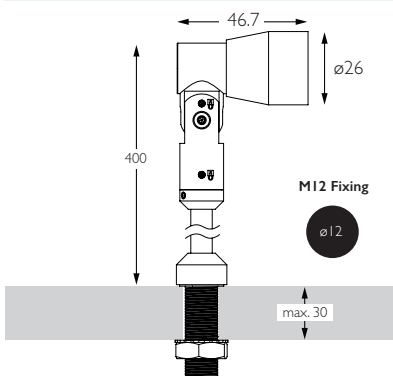
**FORWARD VOLTAGE** 3.2V MAX

**CURRENT** 700mA

#### SURFACE MOUNT



#### M12 MOUNT



### FINISHES

**FINISHES** Brushed Aluminium | Black | White | Custom\*

\* All custom finishes are built and finished to order. These are subject to an extended lead time and MOQ

### OPTICAL

**MODULE OUTPUT** 180lm\*\*

**ABSOLUTE OUTPUT** 168lm

**LOR** 93

**DRIVER** Constant Current

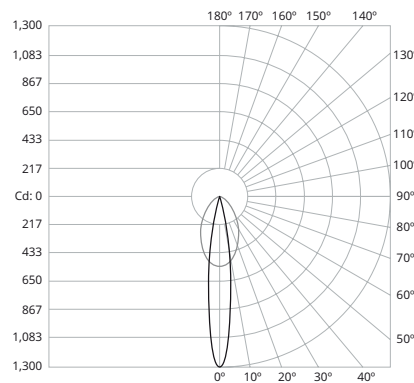
**COLOUR TEMPERATURE** 3000K\*\*

**CRI** 95 TYP

**TM-30** RF: 93 RG: 99

**BEAM ANGLE** 12-30°

\*\* Photometry shown is correct for 3000K module. Please enquire for 2700K module output.



Distance (m)	Beam Diameter (m)	Beam Diameter (ft)	Footcandle (lx)	Footcandle (fc)
1m	0.54m	0.21m	1,276 lx	466 fc
2m	1.07m	0.42m	319 lx	299 fc
3m	1.61m	0.63m	142 lx	138 fc
4m	2.14m	0.84m	80 lx	47 fc
5m	2.68m	1.05m	51 lx	29 fc



Surface



M12

Finish	Surface Mount Part	M12 Mount Part
AL	MPN-797F-AL-XX95ZO	M12-797F-AL-XX95ZO
WH	MPN-797F-WH-XX95ZO	M12-797F-WH-XX95ZO
BK	MPN-797F-BK-XX95ZO	M12-797F-BK-XX95ZO

For 3000K Substitute XX with 30

For 2700K Substitute XX with 27