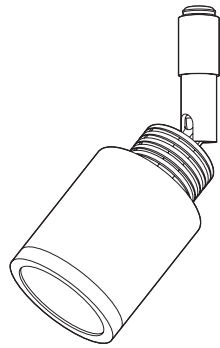


IMPORTANT SAFETY INFORMATION

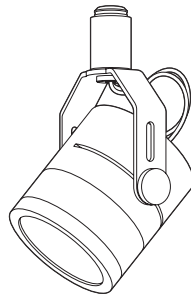
READ ALL INSTRUCTIONS BEFORE USING THESE PRODUCTS. SAVE THESE INSTRUCTIONS FOR LATER REFERENCE.

1. All systems must be installed by a suitably qualified professional only. Installations must conform to national installation and accident prevention regulations.
2. Do not install any fixture closer than 150mm from any combustible material. Do not install these products in a damp or wet location.
3. To reduce the risk of fire and burns, do not install these products where exposed bare conductors can be shorted or contact any conductive materials. Do not conceal or extend exposed conductors through a building wall.
4. Ensure all connections are tight. Bad connections can cause overheating, arcing and a potential fire risk.
5. Always use appropriate lamps (MR11 or MR16) and ensure they are fitted securely.
6. Use only as described in this Precision Lighting manual.
7. Use only Precision Lighting recommended accessories. When connecting accessories, do not overtighten as this can damage the product.
8. Ensure that the luminaire is switched off at mains supply before touching.
9. Luminaires may be extremely hot, allow to cool before touching.
10. These are low voltage luminaires, they must be connected to an appropriate transformer.
11. Regular cleaning of these products is important. Switch off at mains supply and allow to cool before touching. Clean fittings with a soft damp cloth and allow to dry before reconnecting power supply.

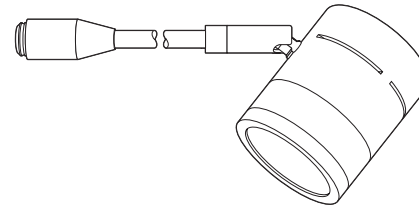
PRODUCT RANGE



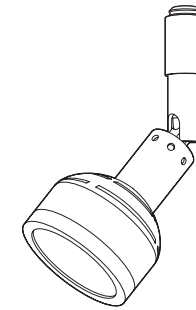
Retro [133 | 134]



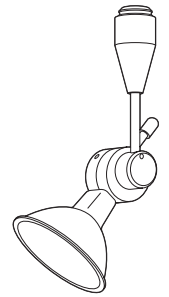
Microspot C [221 | 211]



Microspot S [212 | 222]



Microspot L [113]



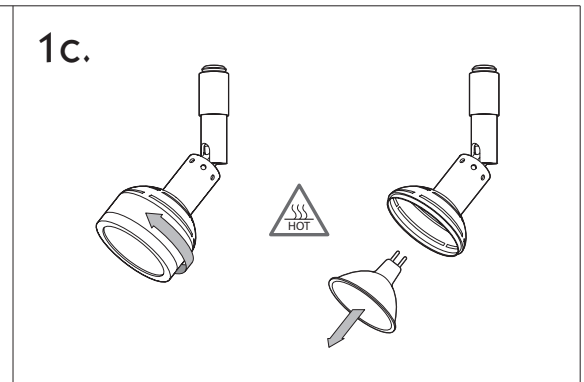
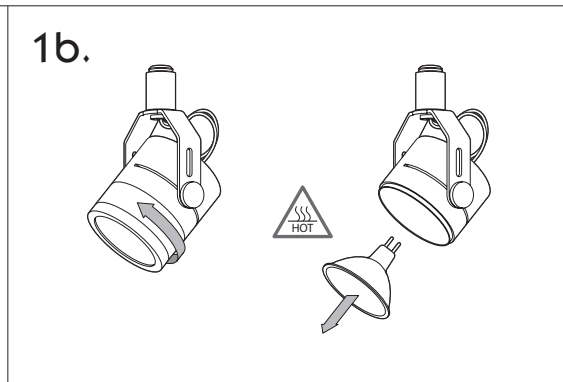
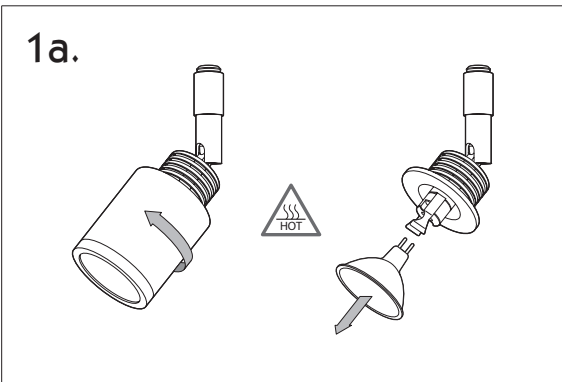
Rotor [138 | 138-400]

CAUTION lamp and lamp housing may be extremely hot. Allow to cool before touching.

IMPORTANT when screwing components together, don't overtighten.

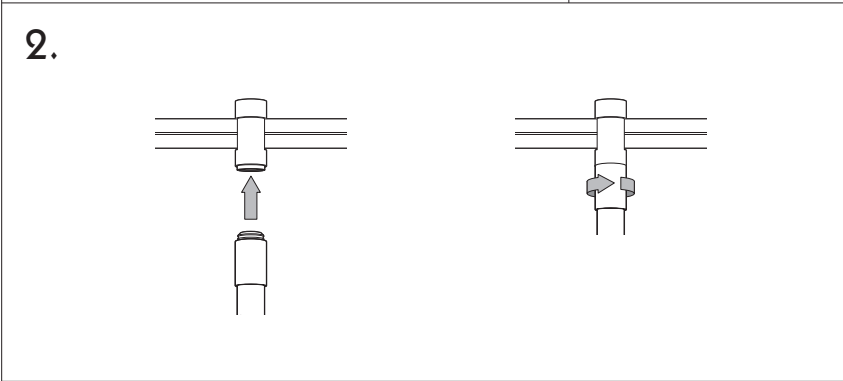
1. Replacing the luminaire's lamp - Retro (a), Microspot C/S (b), Microspot L (c).

- i. Unscrew lamp housing and replace failed lamp, connecting securely.
- ii. Replace lamp housing.



2. Installing the luminaire using Jack Plug connector.

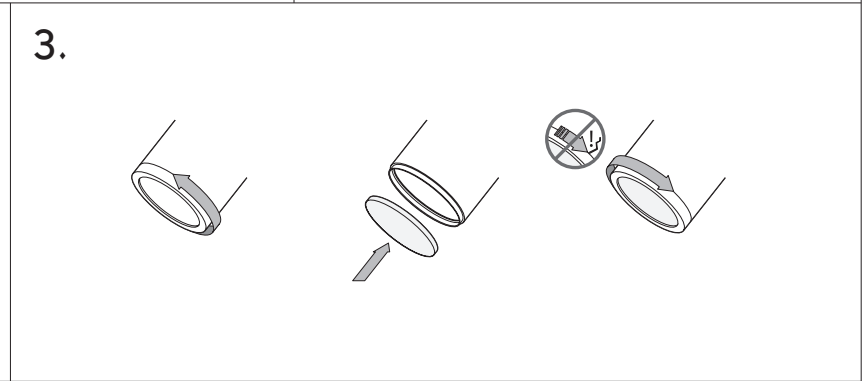
- i. Insert jack plug into monopoint or track system.
- ii. Rotate jack plug collar until luminaire is securely fastened.



NOTE basis track shown, actual system may vary.

3. Adding an accessory - Retro, Microspot.

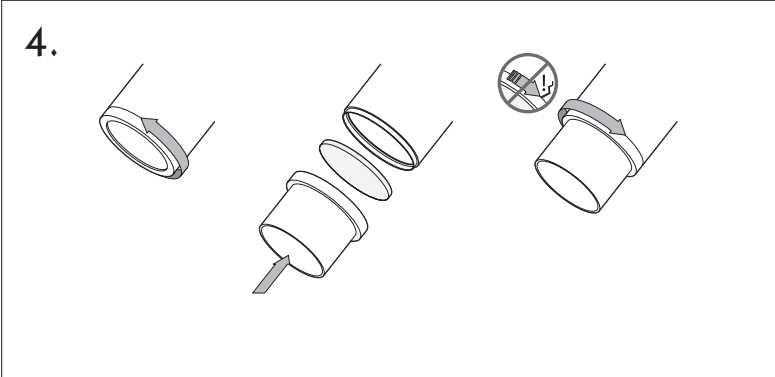
- i. Remove front ring and insert accessory.
- ii. Replace front ring to secure



NOTE to fit 2 accessories, please use double accessory ring (sold separately).

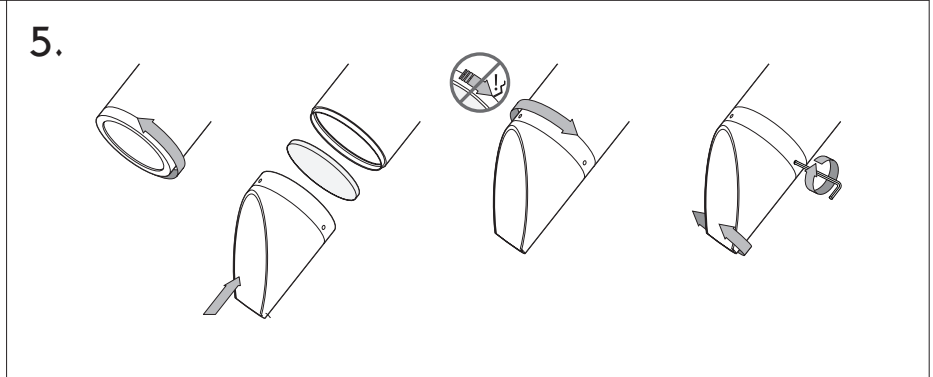
4. Adding a short/long snoot.

- i. Remove front ring and insert accessory (if desired).
- ii. Attach snoot, screwing clockwise to secure.



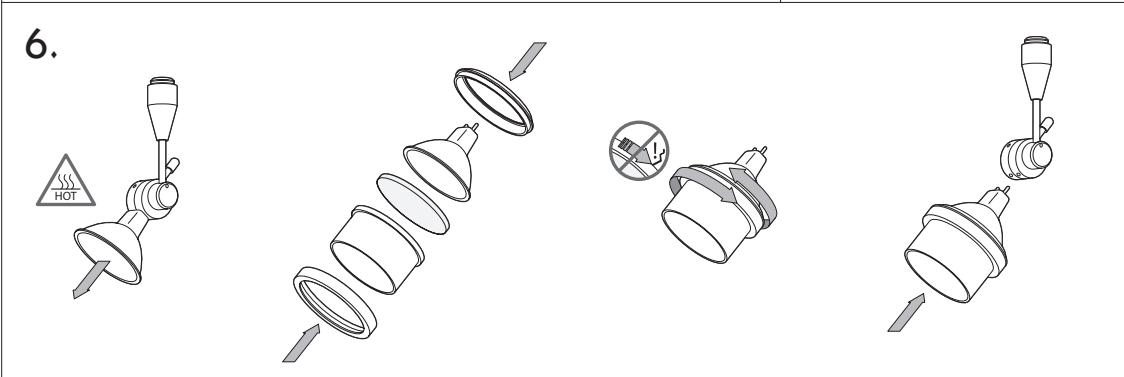
5. Adding a wall wash snoot.

- i. Remove front ring and insert accessory (if desired).
- ii. Attach snoot, screwing clockwise to secure.
- iii. To adjust snoot angle, loosen set-screws and move to desired position. Tighten set-screws to secure in place.



6. Rotor - adding a snoot/accessory.

- i. Pull lamp to remove from fitting.
- ii. Insert lamp and desired accessory (snoot and/or lens) between accessory holder halves.
- iii. Screw halves together to secure in place and reattach lamp to fitting.



NOTE use single or double accessory holder depending on your requirements.

7. Rotor - locking in pan & tilt.

- i. Move to desired position and lock in place using Allen key, as directed.

