

## NARROW SPOT



### TECHNICAL DESCRIPTION

Atto Surface is a miniature display orientated LED spotlight that comes as standard in white, black and brushed aluminium finishes. It has four site changeable optics for flexible distribution. The narrow spot beam in our 1.1W 102lm module has a peak intensity of 794cd. The Atto Surface has 360 bearing aided rotation and 180 degree constant torque tilt mechanism, both lockable. There are 2 mounting methods, from the front using screws or from the rear using the M10 threaded stud. The M10 threaded stud can be removed as a custom order if it restricts installation.

### MECHANICAL & ELECTRICAL

**CATEGORY** Interior use only IP20

**MATERIAL** Machined Aluminium 6063-T6 | Machined Brass

**LOCKABLE** Pan & Tilt

**PAN** 360°

**TILT** 180°

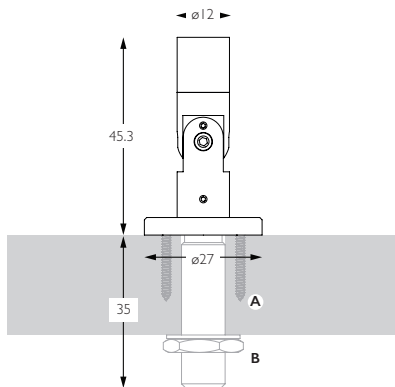
**ACCESSORIES** Snoots

**MOUNTING** Fixed

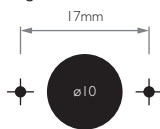
**WEIGHT** 26g (49g for Premium)

**FORWARD VOLTAGE** 3.2V

**CURRENT** 350mA



A - 2 Screw Fixing



B - M10 Fixing



### FINISHES

**FINISHES** Brushed Aluminium | White RAL9010 | Matte Anodised Black | Rubbed Bronze\* | Polished Brass\* | Brushed Brass\*

\* All premium & custom finishes are built & finished to order. These are subject to an extended lead time & MOQ

### OPTICAL

**SYSTEM POWER** 1.1W

**MODULE OUTPUT** 102lm\*

**ABSOLUTE OUTPUT** 94lm

**LOR** 92%

**SUPPLY TYPE** Constant Current

**COLOUR TEMPERATURE** 2700K | 3000K

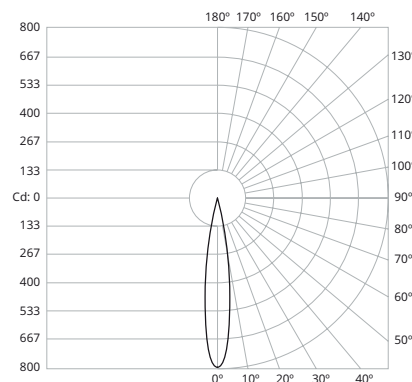
**CRI** 95 TYP

**TM-30** RF: 93 RG: 99

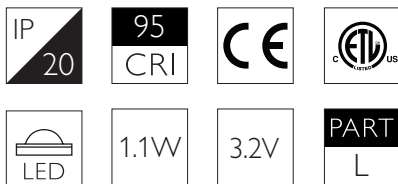
**BEAM ANGLE** 16°

**DIMMING** Dimming available

\*\* Photometry shown is correct for 3000K module. Please enquire for 2700K module output.



Distance (m)	Beam Diameter (m)	Illuminance (lx)
0.25	0.07	12,701
0.50	0.14	3,175
1.00	0.28	794
2.00	0.56	198
3.00	0.84	88



Finish	Part Number
Brushed Aluminium	761-AL-XX9516
White 9010	761-VWH-XX9516
Matte Anodised Black	761-EBA-XX9516
Rubbed Bronze *	761-RB-XX9516
Polished Brass *	761-PB-XX9516
Brushed Brass *	761-SB-XX9516

For 3000K Substitute XX with 30

For 2700K Substitute XX with 27

MEDIUM



## TECHNICAL DESCRIPTION

Atto Surface is a miniature display orientated LED spotlight that comes as standard in white, black and brushed aluminium finishes. It has four site changeable optics for flexible distribution. The medium beam in our 1.1W 102lm module has a peak intensity of 359cd. The Atto Surface has 360 bearing aided rotation and 180 degree constant torque tilt mechanism, both lockable. There are 2 mounting methods, from the front using screws or from the rear using the M10 threaded stud. The M10 threaded stud can be removed as a custom order if it restricts installation.

## MECHANICAL & ELECTRICAL

**CATEGORY** Interior use only IP20

**MATERIAL** Machined Aluminium 6063-T6 | Machined Brass

**LOCKABLE** Pan & Tilt

**PAN** 360°

**TILT** 180°

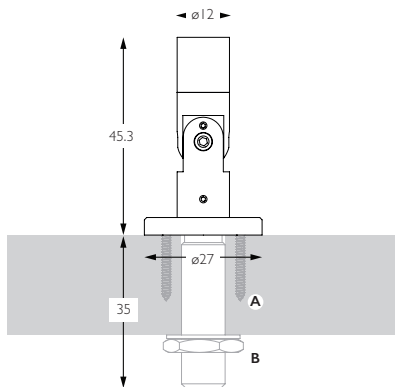
**ACCESSORIES** Snoots

**MOUNTING** Fixed

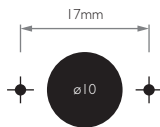
**WEIGHT** 26g (49g for Premium)

**FORWARD VOLTAGE** 3.2V

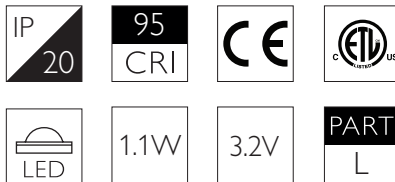
**CURRENT** 350mA



A - 2 Screw Fixing



B - M10 Fixing



## FINISHES

**FINISHES** Brushed Aluminium | White RAL9010 | Matte Anodised Black | Rubbed Bronze\* | Polished Brass\* | Brushed Brass\*

\* All premium & custom finishes are built & finished to order. These are subject to an extended lead time & MOQ

## OPTICAL

**SYSTEM POWER** 1.1W

**MODULE OUTPUT** 102lm\*

**ABSOLUTE OUTPUT** 92lm

**LOR** 93%

**SUPPLY TYPE** Constant Current

**COLOUR TEMPERATURE** 2700K | 3000K

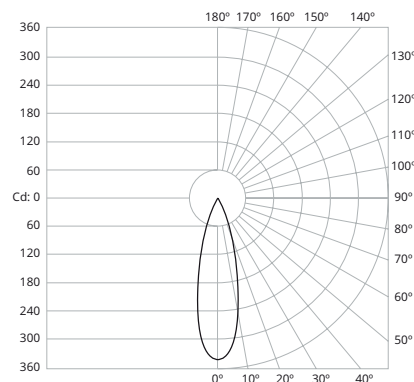
**CRI** 95 TYP

**TM-30** RF: 93 RG: 99

**BEAM ANGLE** 23°

**DIMMING** Dimming available

\*\* Photometry shown is correct for 3000K module. Please enquire for 2700K module output.



Distance (m)	Beam Diameter (m)	Beam Area (m²)	Illuminance (lx)
0.25	0.10	0.00785	5,745 lx
0.50	0.20	0.0314	1,436 lx
1.00	0.41	0.1327	359 lx
2.00	0.81	0.5298	90 lx
3.00	1.22	1.162	40 lx

Finish	Part Number
Brushed Aluminium	761-AL-XX9523
White 9010	761-VWH-XX9523
Matte Anodised Black	761-EBA-XX9523
Rubbed Bronze *	761-RB-XX9523
Polished Brass *	761-PB-XX9523
Brushed Brass *	761-SB-XX9523

For 3000K Substitute XX with 30

For 2700K Substitute XX with 27

## FLOOD



### TECHNICAL DESCRIPTION

Atto Surface is a miniature display orientated LED spotlight that comes as standard in white, black and brushed aluminium finishes. It has four site changeable optics for flexible distribution. The flood beam in our 1.1W 102lm module has a peak intensity of 109cd. The Atto Surface has 360 bearing aided rotation and 180 degree constant torque tilt mechanism, both lockable. There are 2 mounting methods, from the front using screws or from the rear using the M10 threaded stud. The M10 threaded stud can be removed as a custom order if it restricts installation.

### MECHANICAL & ELECTRICAL

**CATEGORY** Interior use only IP20

**MATERIAL** Machined Aluminium 6063-T6 | Machined Brass

**LOCKABLE** Pan & Tilt

**PAN** 360°

**TILT** 180°

**ACCESSORIES** Snoots

**MOUNTING** Fixed

**WEIGHT** 26g (49g for Premium)

**FORWARD VOLTAGE** 3.2V

**CURRENT** 350mA

### FINISHES

**FINISHES** Brushed Aluminium | White RAL9010 | Matte Anodised Black | Rubbed Bronze\* | Polished Brass\* | Brushed Brass\*

\* All premium & custom finishes are built & finished to order. These are subject to an extended lead time & MOQ

### OPTICAL

**SYSTEM POWER** 1.1W

**MODULE OUTPUT** 102lm\*

**ABSOLUTE OUTPUT** 93lm

**LOR** 93%

**SUPPLY TYPE** Constant Current

**COLOUR TEMPERATURE** 2700K | 3000K

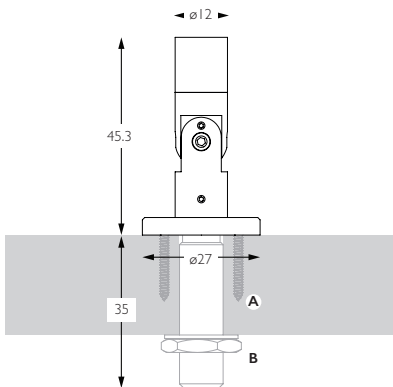
**CRI** 95 TYP

**TM-30** RF: 93 RG: 99

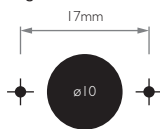
**BEAM ANGLE** 45°

**DIMMING** Dimming available

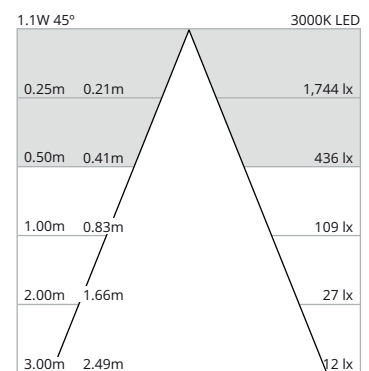
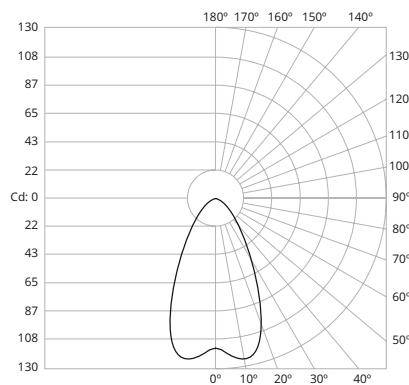
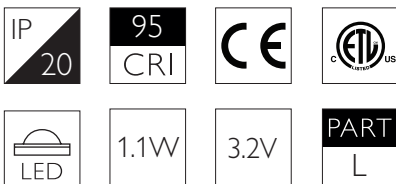
\*\* Photometry shown is correct for 3000K module. Please enquire for 2700K module output.



A - 2 Screw Fixing



B - M10 Fixing



Brushed Aluminium	White 9010	Matte Anodised Black	Rubbed Bronze *	Polished Brass *	Brushed Brass *
761-AL-XX9545	761-VWH-XX9545	761-EBA-XX9545	761-RB-XX9545	761-PB-XX9545	761-SB-XX9545

For 3000K Substitute XX with 30

For 2700K Substitute XX with 27

## WIDE FLOOD



### TECHNICAL DESCRIPTION

Atto Surface is a miniature display orientated LED spotlight that comes as standard in white, black and brushed aluminium finishes. It has four site changeable optics for flexible distribution. The wide flood beam in our 1.1W 102lm module has a peak intensity of 26cd. The Atto Surface has 360 bearing aided rotation and 180 degree constant torque tilt mechanism, both lockable. There are 2 mounting methods, from the front using screws or from the rear using the M10 threaded stud. The M10 threaded stud can be removed as a custom order if it restricts installation.

### MECHANICAL & ELECTRICAL

**CATEGORY** Interior use only IP20

**MATERIAL** Machined Aluminium 6063-T6 | Machined Brass

**LOCKABLE** Pan & Tilt

**PAN** 360°

**TILT** 180°

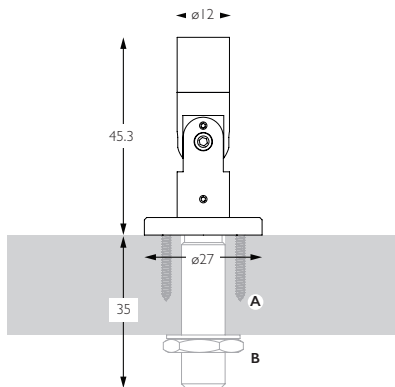
**ACCESSORIES** Snoots

**MOUNTING** Fixed

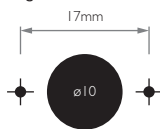
**WEIGHT** 26g (49g for Premium)

**FORWARD VOLTAGE** 3.2V

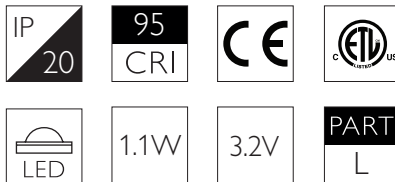
**CURRENT** 350mA



A - 2 Screw Fixing



B - M10 Fixing



### FINISHES

**FINISHES** Brushed Aluminium | White RAL9010 | Matte Anodised Black | Rubbed Bronze\* | Polished Brass\* | Brushed Brass\*

\* All premium & custom finishes are built & finished to order. These are subject to an extended lead time & MOQ

### OPTICAL

**SYSTEM POWER** 1.1W

**MODULE OUTPUT** 102lm\*

**ABSOLUTE OUTPUT** 69lm

**LOR** 55%

**SUPPLY TYPE** Constant Current

**COLOUR TEMPERATURE** 2700K | 3000K

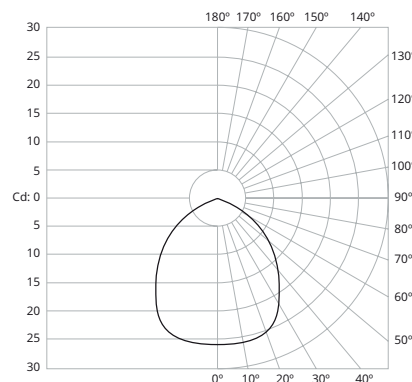
**CRI** 95 TYP

**TM-30** RF: 93 RG: 99

**BEAM ANGLE** 90°

**DIMMING** Dimming available

\*\* Photometry shown is correct for 3000K module. Please enquire for 2700K module output.



1.1W 90°		3000K LED	
0.25m	0.50m	416 lx	
0.50m	1.00m	104 lx	
1.00m	2.00m	26 lx	
2.00m	4.00m	7 lx	
3.00m	6.00m	3 lx	

Brushed Aluminium	White 9010	Matte Anodised Black	Rubbed Bronze *	Polished Brass *	Brushed Brass *
761-AL-XX9590	761-VWH-XX9590	761-EBA-XX9590	761-RB-XX9590	761-PB-XX9590	761-SB-XX9590

For 3000K Substitute XX with 30

For 2700K Substitute XX with 27