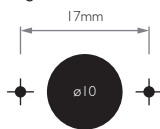


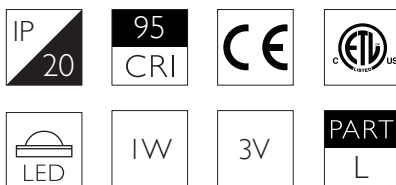
A - 2 Screw Fixing



B - M10 Fixing



If M10 stud is restricting installation contact us for removal



Technical Description

Atto T is a miniature, display orientated LED spotlight that comes as standard in white, black and brushed aluminium finishes. It has four site changeable optics for flexible distribution. The narrow spot beam in our 1W 102lm module has a peak intensity of 794cd. The Atto T has 360 degree bearing aided rotation and 180 degree constant torque tilt mechanism, both lockable. There are 2 mounting methods, from the front using screws or from the rear using the M10 threaded stud - this can be factory removed as a custom order if it restricts installation.

Mechanical & Electrical

Category Interior use only IP20

Material Aluminium I Brass

Lockable Pan & Tilt

Accessories Snoots

Systems Fixed monopoint

Weight 18g

Forward Voltage 3V

Current 350mA

Finishes

Finishes Brushed Aluminium I Black I White I Brass I Custom*

* Please enquire as to the availability of non-standard Finishes

Optical

System Power 1W

Module Output 102lm

Absolute Output 94lm

Gear Type Dimmable available

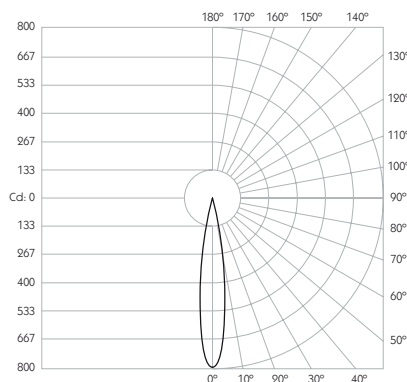
Colour Temperature 3000K*

CRI 95 TYP

TM-30 RF: 93 RG: 99

Beam Angle 16°

** Photometry shown is correct for 3000K module. Please enquire for 2700K module output.



Distance (m)	Beam Diameter (m)	Illuminance (lx)
0.25	0.07	12,701
0.50	0.14	3,175
1.00	0.28	794
2.00	0.56	198
3.00	0.84	88

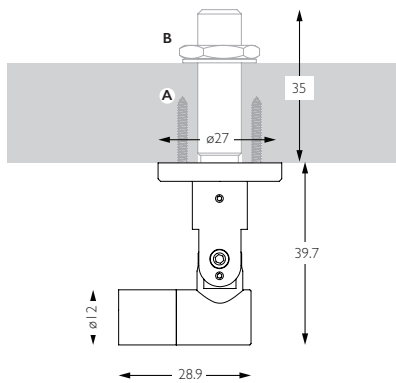
Brushed Aluminium	White 9010	Matte Anodised Black	Rubbed Bronze *	Polished Brass *	Brushed Brass *
762-AL-XX9516	762-WH-XX9516	762-EBA-XX9516	762-RB-XX9516	762-PB-XX9516	762-SB-XX9516

If M10 stud is restricting installation contact us for removal

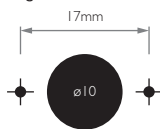
For 3000K Substitute XX with 30

For 2700K Substitute XX with 27

*All Brass and Bronze finishes are made to order and subject to MOQ & extended lead time



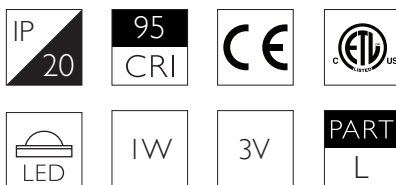
A - 2 Screw Fixing



B - M10 Fixing



If M10 stud is restricting installation contact us for removal



Technical Description

Atto T is a miniature, display orientated LED spotlight that comes as standard in white, black and brushed aluminium finishes. It has four site changeable optics for flexible distribution. The medium beam in our 1W 102lm module has a peak intensity of 359cd. The Atto T has 360 degree bearing aided rotation and 180 degree constant torque tilt mechanism, both lockable. There are 2 mounting methods, from the front using screws or from the rear using the M10 threaded stud - this can be factory removed as a custom order if it restricts installation.

Mechanical & Electrical

Category Interior use only IP20

Systems Fixed monopoint

Material Aluminium I Brass

Weight 18g

Lockable Pan & Tilt

Forward Voltage 3V

Accessories Snoots

Current 350mA

Finishes

Finishes Brushed Aluminium I Black I White I Brass I Custom*

* Please enquire as to the availability of non-standard Finishes

Optical

System Power 1W

Colour Temperature 3000K*

Module Output 102lm

CRI 95 TYP

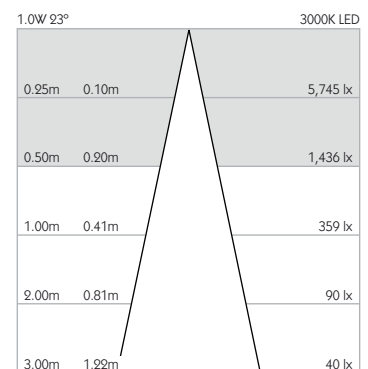
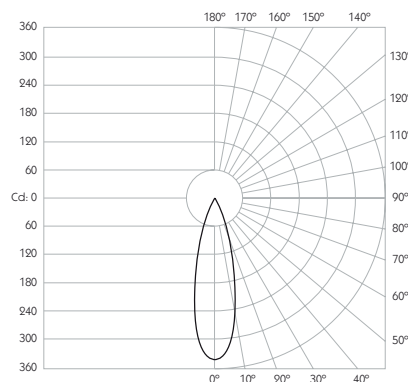
Absolute Output 92lm

TM-30 RF: 93 RG: 99

Gear Type Dimmable available

Beam Angle 23°

** Photometry shown is correct for 3000K module. Please enquire for 2700K module output.



Brushed Aluminium	White 9010	Matte Anodised Black	Rubbed Bronze *	Polished Brass *	Brushed Brass *
762-AL-XX9523	762-WH-XX9523	762-EBA-XX9523	762-RB-XX9523	762-PB-XX9523	762-SB-XX9523

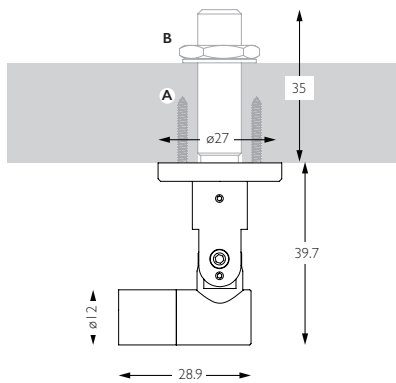
If M10 stud is restricting installation contact us for removal

For 3000K Substitute XX with 30

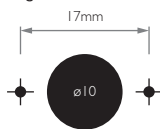
For 2700K Substitute XX with 27

*All Brass and Bronze finishes are made to order and subject to MOQ & extended lead time

FLOOD



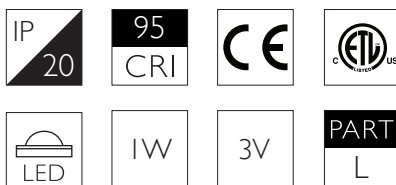
A - 2 Screw Fixing



B - M10 Fixing



If M10 stud is restricting installation contact us for removal



Technical Description

Atto T is a miniature, display orientated LED spotlight that comes as standard in white, black and brushed aluminium finishes. It has four site changeable optics for flexible distribution. The flood beam in our 1W 102lm module has a peak intensity of 109cd. The Atto T has 360 degree bearing aided rotation and 180 degree constant torque tilt mechanism, both lockable. There are 2 mounting methods, from the front using screws or from the rear using the M10 threaded stud - this can be factory removed as a custom order if it restricts installation.

Mechanical & Electrical

Category Interior use only IP20

Material Aluminium I Brass

Lockable Pan & Tilt

Accessories Snoots

Systems Fixed monopoint

Weight 18g

Forward Voltage 3V

Current 350mA

Finishes

Finishes Brushed Aluminium I Black I White I Brass I Custom*

* Please enquire as to the availability of non-standard Finishes

Optical

System Power 1W

Module Output 102lm

Absolute Output 93lm

Gear Type Dimmable available

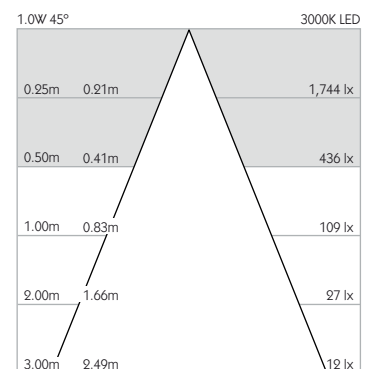
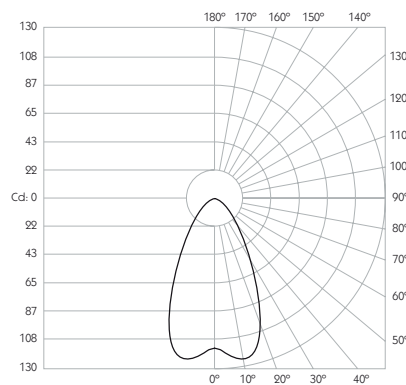
Colour Temperature 3000K*

CRI 95 TYP

TM-30 RF: 93 RG: 99

Beam Angle 45°

** Photometry shown is correct for 3000K module. Please enquire for 2700K module output.



Brushed Aluminium	White 9010	Matte Anodised Black	Rubbed Bronze *	Polished Brass *	Brushed Brass *
762-AL-XX9545	762-WH-XX9545	762-EBA-XX9545	762-RB-XX9545	762-PB-XX9545	762-SB-XX9545

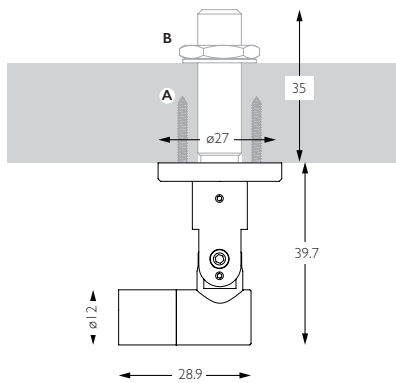
If M10 stud is restricting installation contact us for removal

For 3000K Substitute XX with 30

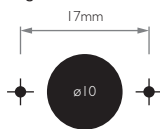
For 2700K Substitute XX with 27

*All Brass and Bronze finishes are made to order and subject to MOQ & extended lead time

WIDE FLOOD



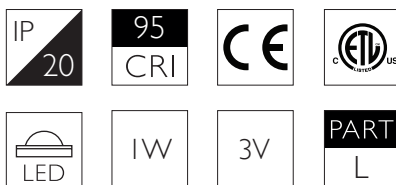
A - 2 Screw Fixing



B - M10 Fixing



If M10 stud is restricting installation contact us for removal



Technical Description

Atto T is a miniature, display orientated LED spotlight that comes as standard in white, black and brushed aluminium finishes. It has four site changeable optics for flexible distribution. The wide flood beam in our 1W 102lm module has a peak intensity of 26cd. The Atto T has 360 degree bearing aided rotation and 180 degree constant torque tilt mechanism, both lockable. There are 2 mounting methods, from the front using screws or from the rear using the M10 threaded stud - this can be factory removed as a custom order if it restricts installation.

Mechanical & Electrical

Category Interior use only IP20

Material Aluminium I Brass

Lockable Pan & Tilt

Accessories Snoots

Systems Fixed monopoint

Weight 18g

Forward Voltage 3V

Current 350mA

Finishes

Finishes Brushed Aluminium I Black I White I Brass I Custom*

* Please enquire as to the availability of non-standard Finishes

Optical

System Power 1W

Module Output 102lm

Absolute Output 69lm

Gear Type Dimmable available

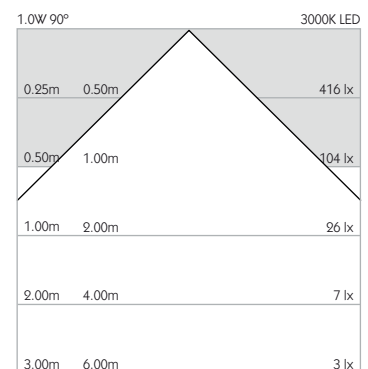
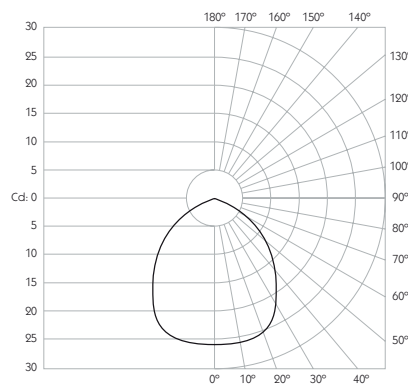
Colour Temperature 3000K*

CRI 95 TYP

TM-30 RF: 93 RG: 99

Beam Angle 90°

** Photometry shown is correct for 3000K module. Please enquire for 2700K module output.



Brushed Aluminium	White 9010	Matte Anodised Black	Rubbed Bronze *	Polished Brass *	Brushed Brass *
762-AL-XX9590	762-WH-XX9590	762-EBA-XX9590	762-RB-XX9590	762-PB-XX9590	762-SB-XX9590

If M10 stud is restricting installation contact us for removal

For 3000K Substitute XX with 30

For 2700K Substitute XX with 27

*All Brass and Bronze finishes are made to order and subject to MOQ & extended lead time