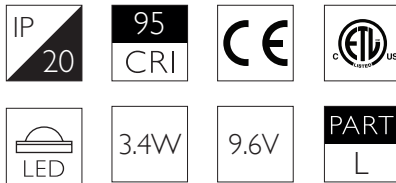


NARROW

## TECHNICAL DESCRIPTION

Stacko Tilt Fixed End is a 3.4W miniature display orientated LED lighting module that is a part of the modular Stacko Collection which allows users to 'stack' lighting modules together to create unique lighting set-ups that comes as standard in white, black and brushed aluminium finishes. It is an 'End' Stacko lighting module which means it closes a circuit and does not accept other Stacko lighting modules above it. It has a total of 3 light engines with a combined output of 306lm. Each 102lm light engine produces a Narrow beam with a peak intensity of 794 cd. It has a fixed tilt angle of 35 degrees. Stacko Tilt Fixed End is infinitely adjustable in 360 degree pan. The luminaire is compatible with our Minipoint system that enables a plug and play setup where luminaires can be simply swapped to suit changing lighting requirements. Please note that there can only be maximum 10 light engines per Stacko circuit or driver.



## MECHANICAL & ELECTRICAL

**CATEGORY** Interior use only IP20  
**MATERIAL** AL 6063-T6  
**WEIGHT** 125g  
**PAN** 360°  
**TILT** Fixed 35° tilt angle  
**ACCESSORIES** N/A

**SYSTEMS** Minipoint  
**DRIVER TYPE** Constant Current  
**FORWARD VOLTAGE** 9.6V  
**CURRENT** 350mA  
**DIMMING COMPATIBILITY** DALI | 0-10V  
**CIRCUIT** Close  
**NO. OF LIGHT ENGINES** 3

## FINISHES

**FINISHES** Brushed Aluminium | Black | White | Rubbed Bronze\* | Polished Brass\* | Satin Brass\* | Polished Nickel\* | Custom RAL\*\*

\* All Premium or Custom finishes are built and finished to order. These are subject to an extended lead time and MOQ

## OPTICAL

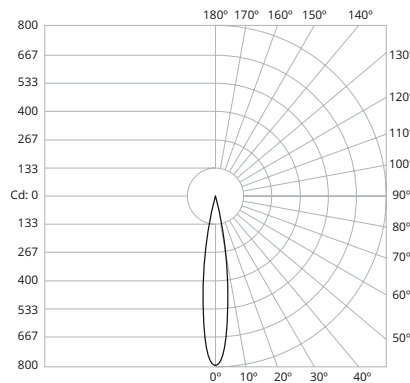
**PER LIGHT ENGINE OUTPUT**  
**MODULE OUTPUT** 102lm\*\*  
**ABSOLUTE OUTPUT** 94lm

**BEAM ANGLE** 16°  
**SYSTEM POWER** 3.4W  
**COLOUR TEMPERATURE** 2700K | 3000K\*  
**CRI** 95CRI  
**TM-30** Rf 93 | Rg 99  
**LOR** 92%

**TOTAL COMBINED OUTPUT**  
**MODULE OUTPUT** 306lm\*\*  
**ABSOLUTE OUTPUT** 282lm

\*\* Photometry shown is correct for 3000K module. Please enquire for 2700K module output.

## PHOTOMETRY PER LIGHT ENGINE



1.0W 16°		3000K LED
0.25m	0.07m	12,701 lx
0.50m	0.14m	3,175 lx
1.00m	0.28m	794 lx
2.00m	0.56m	198 lx
3.00m	0.84m	88 lx

Brushed Aluminium	White 9010	Matte Anodised Black	Rubbed Bronze *	Polished Brass *	Brushed Brass *	Polished Nickel *
1003-E-AL-XX9516	1003-E-WH-XX9516	1003-E-EBA-XX9516	1003-E-RB-XX9516	1003-E-PB-XX9516	1003-E-SB-XX9516	1003-E-PN-XX9516

For 3000K Substitute XX with 30

-

For 2700K Substitute XX with 27

All variants of Stacko require a Minipoint for mounting.

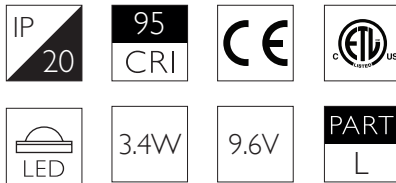
Please enquire for Custom RAL finishes.

\*Premium finishes subject to MOQ & extended lead times.

MEDIUM

## TECHNICAL DESCRIPTION

Stacko Tilt Fixed End is a 3.4W miniature display orientated LED lighting module that is a part of the modular Stacko Collection which allows users to 'stack' lighting modules together to create unique lighting set-ups that comes as standard in white, black and brushed aluminium finishes. It is an 'End' Stacko lighting module which means it closes a circuit and does not accept other Stacko lighting modules above it. It has a total of 3 light engines with a combined output of 306lm. Each 102lm light engine produces a Medium beam with a peak intensity of 359 cd. It has a fixed tilt angle of 35 degrees. Stacko Tilt Fixed End is infinitely adjustable in 360 degree pan. The luminaire is compatible with our Minipoint system that enables a plug and play setup where luminaires can be simply swapped to suit changing lighting requirements. Please note that there can only be maximum 10 light engines per Stacko circuit or driver.



## MECHANICAL & ELECTRICAL

**CATEGORY** Interior use only IP20  
**MATERIAL** AL 6063-T6  
**WEIGHT** 125g  
**PAN** 360°  
**TILT** Fixed 35° tilt angle  
**ACCESSORIES** N/A

**SYSTEMS** Minipoint  
**DRIVER TYPE** Constant Current  
**FORWARD VOLTAGE** 9.6V  
**CURRENT** 350mA  
**DIMMING COMPATIBILITY** DALI | 0-10V  
**CIRCUIT** Close  
**NO. OF LIGHT ENGINES** 3

## FINISHES

**FINISHES** Brushed Aluminium | Black | White | Rubbed Bronze\* | Polished Brass\* | Satin Brass\* | Polished Nickel\* | Custom RAL\*\*

\* All Premium or Custom finishes are built and finished to order. These are subject to an extended lead time and MOQ

## OPTICAL

### PER LIGHT ENGINE OUTPUT

**MODULE OUTPUT** 102lm\*\*  
**ABSOLUTE OUTPUT** 94lm

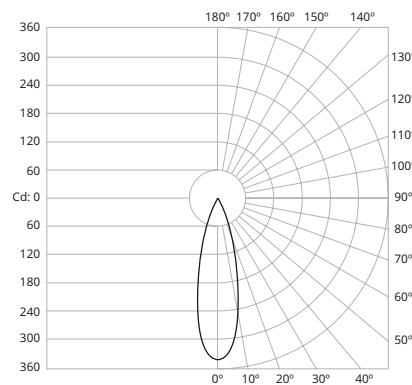
**BEAM ANGLE** 23°  
**SYSTEM POWER** 3.4W  
**COLOUR TEMPERATURE** 2700K | 3000K\*  
**CRI** 95CRI  
**TM-30** Rf 93 | Rg 99  
**LOR** 92%

### TOTAL COMBINED OUTPUT

**MODULE OUTPUT** 306lm\*\*  
**ABSOLUTE OUTPUT** 282lm

\*\* Photometry shown is correct for 3000K module. Please enquire for 2700K module output.

## PHOTOMETRY PER LIGHT ENGINE



Distance (m)	Beam Diameter (m)	Beam Area (m²)	Illuminance (lx)
0.25	0.10	0.00785	5,745 lx
0.50	0.20	0.0314	1,436 lx
1.00	0.41	0.1327	359 lx
2.00	0.81	0.5298	90 lx
3.00	1.22	1.1623	40 lx

Finish	Part Number	Finish	Part Number	Finish	Part Number	Finish	Part Number
Brushed Aluminium	1003-E-AL-XX9523	White 9010	1003-E-WH-XX9523	Matte Anodised Black	1003-E-EBA-XX9523	Rubbed Bronze *	1003-E-RB-XX9523
						Polished Brass *	1003-E-PB-XX9523
						Brushed Brass *	1003-E-SB-XX9523
						Polished Nickel *	1003-E-PN-XX9523

For 3000K Substitute XX with 30

For 2700K Substitute XX with 27

All variants of Stacko require a Minipoint for mounting.

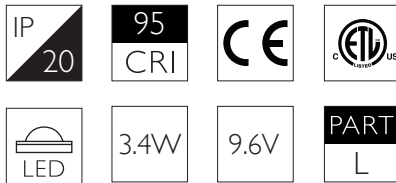
Please enquire for Custom RAL finishes.

\*Premium finishes subject to MOQ & extended lead times.

FLOOD

## TECHNICAL DESCRIPTION

Stacko Tilt Fixed End is a 3.4W miniature display orientated LED lighting module that is a part of the modular Stacko Collection which allows users to 'stack' lighting modules together to create unique lighting set-ups that comes as standard in white, black and brushed aluminium finishes. It is an 'End' Stacko lighting module which means it closes a circuit and does not accept other Stacko lighting modules above it. It has a total of 3 light engines with a combined output of 306lm. Each 102lm light engine produces a Flood beam with a peak intensity of 109 cd. It has a fixed tilt angle of 35 degrees. Stacko Tilt Fixed End is infinitely adjustable in 360 degree pan. The luminaire is compatible with our Minipoint system that enables a plug and play setup where luminaires can be simply swapped to suit changing lighting requirements. Please note that there can only be maximum 10 light engines per Stacko circuit or driver.



## MECHANICAL & ELECTRICAL

**CATEGORY** Interior use only IP20  
**MATERIAL** AL 6063-T6  
**WEIGHT** 125g  
**PAN** 360°  
**TILT** Fixed 35° tilt angle  
**ACCESSORIES** N/A

**SYSTEMS** Minipoint  
**DRIVER TYPE** Constant Current  
**FORWARD VOLTAGE** 9.6V  
**CURRENT** 350mA  
**DIMMING COMPATIBILITY** DALI | 0-10V  
**CIRCUIT** Close  
**NO. OF LIGHT ENGINES** 3

## FINISHES

**FINISHES** Brushed Aluminium | Black | White | Rubbed Bronze\* | Polished Brass\* | Satin Brass\* | Polished Nickel\* | Custom RAL\*\*

\* All Premium or Custom finishes are built and finished to order. These are subject to an extended lead time and MOQ

## OPTICAL

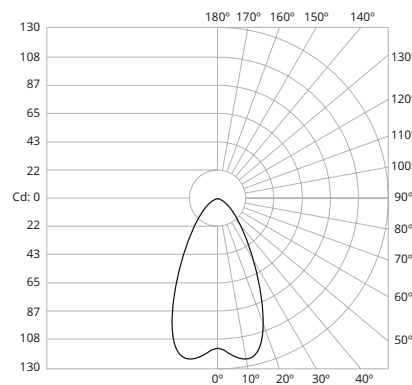
**PER LIGHT ENGINE OUTPUT**  
**MODULE OUTPUT** 102lm\*\*  
**ABSOLUTE OUTPUT** 94lm

**BEAM ANGLE** 45°  
**SYSTEM POWER** 3.4W  
**COLOUR TEMPERATURE** 2700K | 3000K\*  
**CRI** 95CRI  
**TM-30** Rf 93 | Rg 99  
**LOR** 92%

**TOTAL COMBINED OUTPUT**  
**MODULE OUTPUT** 306lm\*\*  
**ABSOLUTE OUTPUT** 282lm

\*\* Photometry shown is correct for 3000K module. Please enquire for 2700K module output.

## PHOTOMETRY PER LIGHT ENGINE



1.0W 45°		3000K LED	
0.25m	0.21m	1,744 lx	
0.50m	0.41m	436 lx	
1.00m	0.83m	109 lx	
2.00m	1.66m	27 lx	
3.00m	2.49m	12 lx	

Brushed Aluminium	White 9010	Matte Anodised Black	Rubbed Bronze *	Polished Brass *	Brushed Brass *	Polished Nickel *
1003-E-AL-XX9545	1003-E-WH-XX9545	1003-E-EBA-XX9545	1003-E-RB-XX9545	1003-E-PB-XX9545	1003-E-SB-XX9545	1003-E-PN-XX9545

For 3000K Substitute XX with 30

-

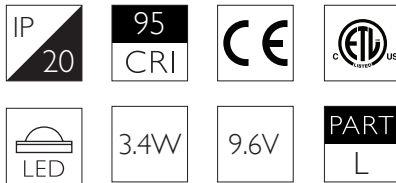
For 2700K Substitute XX with 27

All variants of Stacko require a Minipoint for mounting.

Please enquire for Custom RAL finishes.

\*Premium finishes subject to MOQ & extended lead times.

WIDE FLOOD



## TECHNICAL DESCRIPTION

Stacko Tilt Fixed End is a 3.4W miniature display orientated LED lighting module that is a part of the modular Stacko Collection which allows users to 'stack' lighting modules together to create unique lighting set-ups that comes as standard in white, black and brushed aluminium finishes. It is an 'End' Stacko lighting module which means it closes a circuit and does not accept other Stacko lighting modules above it. It has a total of 3 light engines with a combined output of 306lm. Each 102lm light engine produces a Wide flood beam with a peak intensity of 26 cd. It has a fixed tilt angle of 35 degrees. Stacko Tilt Fixed End is infinitely adjustable in 360 degree pan. The luminaire is compatible with our Minipoint system that enables a plug and play setup where luminaires can be simply swapped to suit changing lighting requirements. Please note that there can only be maximum 10 light engines per Stacko circuit or driver.

## MECHANICAL & ELECTRICAL

**CATEGORY** Interior use only IP20  
**MATERIAL** AL 6063-T6  
**WEIGHT** 125g  
**PAN** 360°  
**TILT** Fixed 35° tilt angle  
**ACCESSORIES** N/A

**SYSTEMS** Minipoint  
**DRIVER TYPE** Constant Current  
**FORWARD VOLTAGE** 9.6V  
**CURRENT** 350mA  
**DIMMING COMPATIBILITY** DALI | 0-10V  
**CIRCUIT** Close  
**NO. OF LIGHT ENGINES** 3

## FINISHES

**FINISHES** Brushed Aluminium | Black | White | Rubbed Bronze\* | Polished Brass\* | Satin Brass\* | Polished Nickel\* | Custom RAL\*\*

\* All Premium or Custom finishes are built and finished to order. These are subject to an extended lead time and MOQ

## OPTICAL

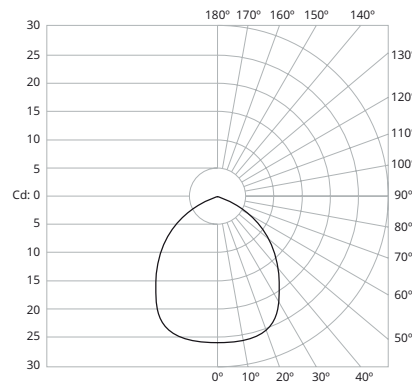
**PER LIGHT ENGINE OUTPUT**  
**MODULE OUTPUT** 102lm\*\*  
**ABSOLUTE OUTPUT** 94lm

**BEAM ANGLE** 90°  
**SYSTEM POWER** 3.4W  
**COLOUR TEMPERATURE** 2700K | 3000K\*  
**CRI** 95CRI  
**TM-30** Rf 93 | Rg 99  
**LOR** 92%

**TOTAL COMBINED OUTPUT**  
**MODULE OUTPUT** 306lm\*\*  
**ABSOLUTE OUTPUT** 282lm

\*\* Photometry shown is correct for 3000K module. Please enquire for 2700K module output.

## PHOTOMETRY PER LIGHT ENGINE



1.0W 90°		3000K LED	
0.25m	0.50m	416 lx	
0.50m	1.00m	104 lx	
1.00m	2.00m	26 lx	
2.00m	4.00m	7 lx	
3.00m	6.00m	3 lx	

Brushed Aluminium	White 9010	Matte Anodised Black	Rubbed Bronze *	Polished Brass *	Brushed Brass *	Polished Nickel *
1003-E-AL-XX9590	1003-E-WH-XX9590	1003-E-EBA-XX9590	1003-E-RB-XX9590	1003-E-PB-XX9590	1003-E-SB-XX9590	1003-E-PN-XX9590

For 3000K Substitute XX with 30

-

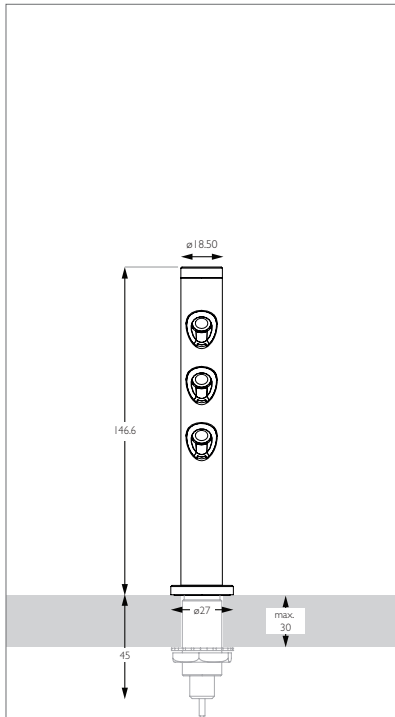
For 2700K Substitute XX with 27

All variants of Stacko require a Minipoint for mounting.

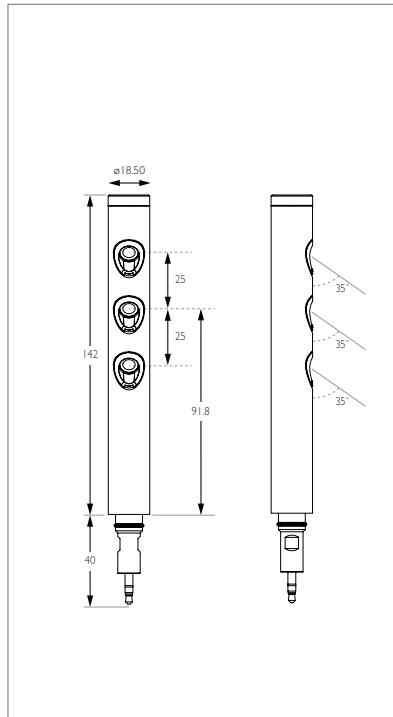
Please enquire for Custom RAL finishes.

\*Premium finishes subject to MOQ & extended lead times.

## DIMENSIONS



INSIDE MINIPOINT



LIGHTING MODULE ONLY

## SYSTEM INFO

**HORIZONTAL STACK** Do not exceed 3 luminaire modules / 1000mm / 10 light engines (whichever comes first) without installing a form of support.

**VERTICAL STACK** Do not exceed 5 luminaire modules / 1000mm / 10 light engines (whichever comes first) without installing a form of support.