

NARROW SPOT



TECHNICAL DESCRIPTION

Pico Jack is a miniature, display orientated LED spotlight that comes as standard in white, black and brushed aluminium finishes. It has three site changeable optics for flexible distribution. The narrow spot beam in our 2.2W 180lm module has a peak intensity of 1570cd. There is a 360 degree bearing aided rotation and 180 degree constant torque tilt mechanism, both lockable. The luminaire is compatible with our Minipoint system that enables a plug and play setup where luminaires can be simply swapped to suit changing lighting requirements.

MECHANICAL & ELECTRICAL

CATEGORY Interior use only IP20
MATERIAL Aluminium
LOCKABLE Pan & Tilt
ACCESSORIES Snoots

SYSTEMS Minipoint
WEIGHT 67g
FORWARD VOLTAGE 3.2V MAX
CURRENT 700mA

FINISHES

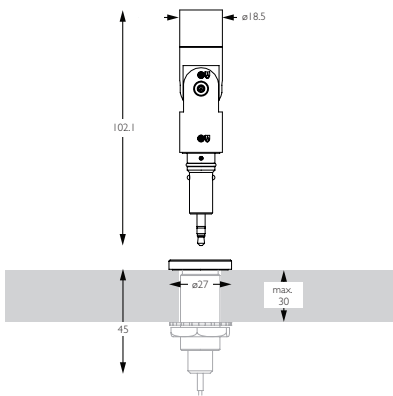
FINISHES Brushed Aluminium | Black | White | Custom*

* All Custom finishes are built and finished to order. These are subject to an extended lead time and MOQ

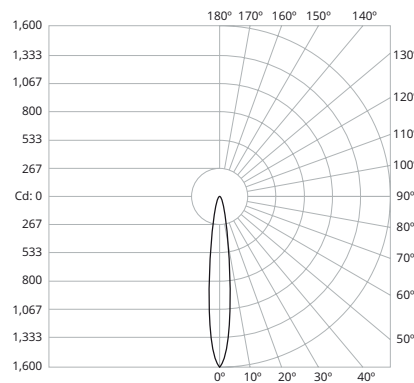
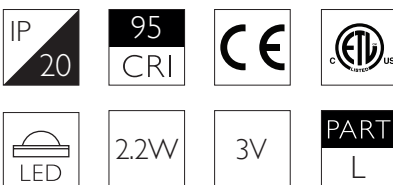
OPTICAL

SYSTEM POWER 2.2W
MODULE OUTPUT 180lm*
ABSOLUTE OUTPUT 168lm
LOR 93
GEAR TYPE Constant Current

COLOUR TEMPERATURE 3000K*
CRI 95 TYP
TM-30 RF: 93 RG: 99
BEAM ANGLE 12°



** Photometry shown is correct for 3000K module. Please enquire for 2700K module output.



Distance	Beam Diameter	Illuminance (lx)
1m	0.21m	1,570 lx
2m	0.43m	392 lx
3m	0.64m	174 lx
4m	0.85m	98 lx
5m	1.06m	63 lx

	Brushed Aluminium	White 9010	Black
Without Minipoint*	801-AL-XX9512	801-WH-XX9512	801-BK-XX9512
With Minipoint	M-A-801-AL-XX9512	M-A-801-WH-XX9512	M-A-801-BK-XX9512

*A minipoint is required, if the individual code is used then a minipoint must be purchased separately

For 3000K Substitute XX with 30

-

For 2700K Substitute XX with 27



TECHNICAL DESCRIPTION

Pico Jack is a miniature, display orientated LED spotlight that comes as standard in white, black and brushed aluminium finishes. It has three site changeable optics for flexible distribution. The flood beam in our 2.2W 180lm module has a peak intensity of 463cd. There is a 360 degree bearing aided rotation and 180 degree constant torque tilt mechanism, both lockable. The luminaire is compatible with our Minipoint system that enables a plug and play setup where luminaires can be simply swapped to suit changing lighting requirements.

MECHANICAL & ELECTRICAL

CATEGORY Interior use only IP20
MATERIAL Aluminium
LOCKABLE Pan & Tilt
ACCESSORIES Snoots

SYSTEMS Minipoint
WEIGHT 67g
FORWARD VOLTAGE 3.2V MAX
CURRENT 700mA

FINISHES

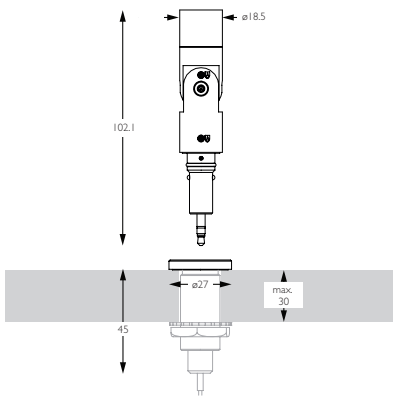
FINISHES Brushed Aluminium | Black | White | Custom*

* All Custom finishes are built and finished to order. These are subject to an extended lead time and MOQ

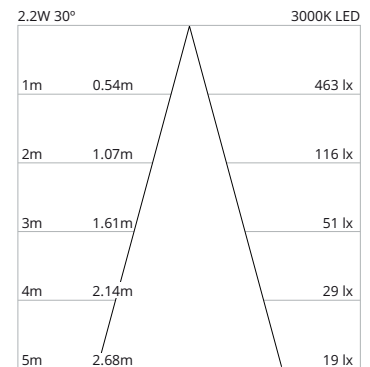
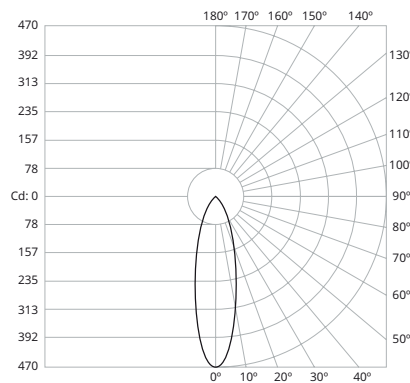
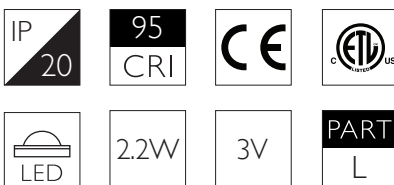
OPTICAL

SYSTEM POWER 2.2W
MODULE OUTPUT 180lm*
ABSOLUTE OUTPUT 153lm
LOR 93
GEAR TYPE Constant Current

COLOUR TEMPERATURE 3000K*
CRI 95 TYP
TM-30 RF: 93 RG: 99
BEAM ANGLE 30°



** Photometry shown is correct for 3000K module. Please enquire for 2700K module output.



	Brushed Aluminium	White 9010	Black
Without Minipoint*	801-AL-XX9530	801-WH-XX9530	801-BK-XX9530
With Minipoint	M-A-801-AL-XX9530	M-A-801-WH-XX9530	M-A-801-BK-XX9530

*A minipoint is required, if the individual code is used then a minipoint must be purchased separately

For 3000K Substitute XX with 30

-

For 2700K Substitute XX with 27

WIDE FLOOD



TECHNICAL DESCRIPTION

Pico Jack is a miniature, display orientated LED spotlight that comes as standard in white, black and brushed aluminium finishes. It has three site changeable optics for flexible distribution. The wide flood beam in our 2.2W 180lm module has a peak intensity of 167cd. There is a 360 degree bearing aided rotation and 180 degree constant torque tilt mechanism, both lockable. The luminaire is compatible with our Minipoint system that enables a plug and play setup where luminaires can be simply swapped to suit changing lighting requirements.

MECHANICAL & ELECTRICAL

CATEGORY Interior use only IP20

MATERIAL Aluminium

LOCKABLE Pan & Tilt

ACCESSORIES Snoots

SYSTEMS Minipoint

WEIGHT 67g

FORWARD VOLTAGE 3.2V MAX

CURRENT 700mA

FINISHES

FINISHES Brushed Aluminium | Black | White | Custom*

* All Custom finishes are built and finished to order. These are subject to an extended lead time and MOQ

OPTICAL

SYSTEM POWER 2.2W

MODULE OUTPUT 180lm*

ABSOLUTE OUTPUT 168lm

LOR 93

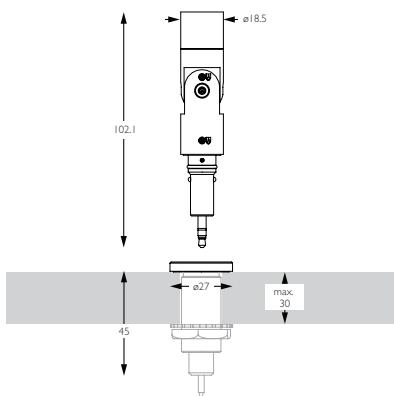
GEAR TYPE Constant Current

COLOUR TEMPERATURE 3000K*

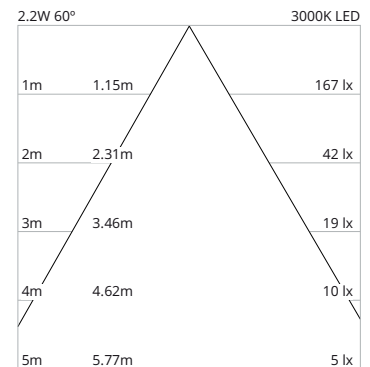
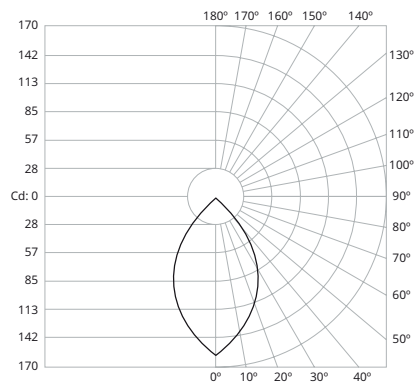
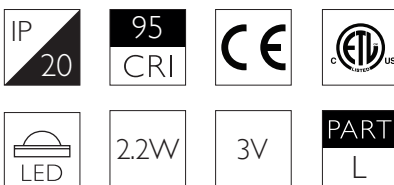
CRI 95 TYP

TM-30 RF: 93 RG: 99

BEAM ANGLE 60°



** Photometry shown is correct for 3000K module. Please enquire for 2700K module output.



	Brushed Aluminium	White 9010	Black
Without Minipoint*	801-AL-XX9560	801-WH-XX9560	801-BK-XX9560
With Minipoint	M-A-801-AL-XX9560	M-A-801-WH-XX9560	M-A-801-BK-XX9560

*A minipoint is required, if the individual code is used then a minipoint must be purchased separately

For 3000K Substitute XX with 30

-

For 2700K Substitute XX with 27