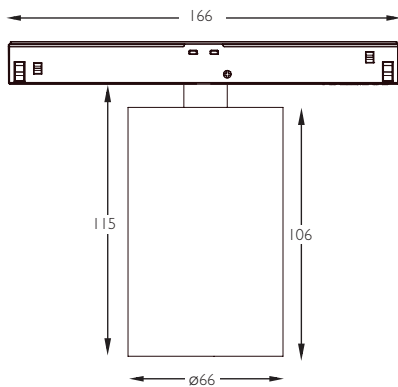


SOLO 16 PLUS STUCCHI

LUMINAIRES
SPEC SHEET 1052C

NARROW SPOT



TECHNICAL DESCRIPTION

Solo 16 Plus Stucchi is a constant voltage single source LED spotlight that is machined from aerospace grade aluminium 6063-T6 and comes as standard in white (RAL 9016), black (RAL 9005) along with four premium aluminium and brass finishes. It has five site changeable optics for flexible distribution and ultra high 98 TYP CRI options for colour critical applications. The Narrow Spot beam in our 12.6W 1245lm module has a peak intensity of 16929cd. An accessory holder is available separately that can accommodate lenses and louvres. There is a 360 degree bearing aided rotation and a lockable 90 degree constant torque tilt mechanism. Solo 16 Plus for Stucchi is suited to 48V DC Stucchi track and provides individual dimming control via DALI or group dimming via 0-10V.

MECHANICAL & ELECTRICAL

CATEGORY Interior use only IP20

MATERIAL Machined Aluminium 6063-T6 | Machined

Brass

PAN 360°

TILT 90°

LOCKABLE Pan

ACCESSORIES Accessory holder | Lenses | Louvre

MOUNTING Stucchi Recessed | Trimless Recessed | Surface | Suspended

WEIGHT 395g (570g for Premium finishes)

FORWARD VOLTAGE 48V

SUPPLY TYPE Constant Voltage

DIMMING DALI | 0-10V

FINISHES

FINISHES Brushed Aluminium* | White RAL9016 | Black RAL9006 | Rubbed Bronze* | Polished Brass* | Brushed Brass*

*All premium & custom finishes are built & finished to order. These are subject to an extended lead time & MOQ.

All premium finishes are supplied with a black track adapter.

OPTICAL

SYSTEM POWER 12.6W

MODULE OUTPUT 1245lm**

ABSOLUTE OUTPUT 1127lm

COLOUR TEMPERATURE 2400K | 2700K | 3000K***

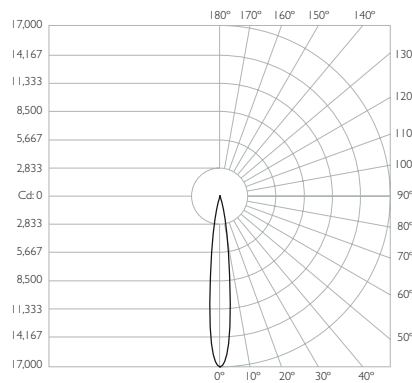
CRI 92 TYP - 2400K | 98 TYP - 2700K/3000K

TM-30 Rf 95 / Rg 101

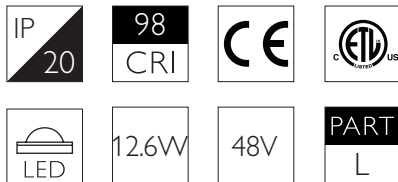
BEAM ANGLE 13°

**Photometry shown is correct for 3000K module. Please enquire for 2700K/2400K module output.

***Colour temperature options 2700K and 3000K are standard. 2400K and 4000K options available upon request.



12.6W 13°		3000K LED	
1m	0.2m	16,929 lx	
2m	0.5m	4,232 lx	
3m	0.7m	1,881 lx	
4m	1.0m	1,058 lx	
5m	1.2m	677 lx	



FINISH	Track & Adapter	White 9016	Black 9005			
	Luminaire	White 9016	Black 9005	Brushed Aluminium*	Rubbed Bronze *	Polished Brass *

DIMMING	DALI	I052C-TW-XX9213-D	I052C-BK-XX9213-D	I052C-AL-XX9213-D	I052C-RB-XX9213-D	I052C-PB-XX9213-D	I052C-SB-XX9213-D
---------	------	-------------------	-------------------	-------------------	-------------------	-------------------	-------------------

For 3000K Substitute XX with 30

-

For 2700K Substitute XX with 27

*All premium & custom finishes are built & finished to order. These are subject to an extended lead time & MOQ. All premium finishes are supplied with a black track adapter.

PRECISION
LIGHTING

SALES@PRECISIONLIGHTING.CO.UK

PRECISIONLIGHTING.CO.UK

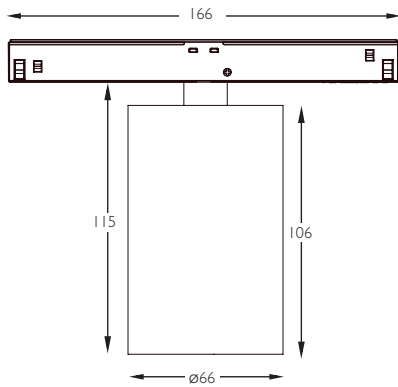
42 RIVERSIDE ROAD
LONDON SW17 0BA

t. +44 (0)20 8947 6616

SOLO 16 PLUS STUCCHI

LUMINAIRES
SPEC SHEET 1052C

SOFT SPOT



TECHNICAL DESCRIPTION

Solo 16 Plus Stucchi is a constant voltage single source LED spotlight that is machined from aerospace grade aluminium 6063-T6 and comes as standard in white (RAL 9016), black (RAL 9005) along with four premium aluminium and brass finishes. It has five site changeable optics for flexible distribution and ultra high 98 TYP CRI options for colour critical applications. The Soft Spot beam in our 12.6W 1245lm module has a peak intensity of 14173cd. An accessory holder is available separately that can accommodate lenses and louvres. There is a 360 degree bearing aided rotation and a lockable 90 degree constant torque tilt mechanism. Solo 16 Plus for Stucchi is suited to 48V DC Stucchi track and provides individual dimming control via DALI or group dimming via 0-10V.

MECHANICAL & ELECTRICAL

CATEGORY Interior use only IP20

MATERIAL Machined Aluminium 6063-T6 | Machined

Brass

PAN 360°

TILT 90°

LOCKABLE Pan

ACCESSORIES Accessory holder | Lenses | Louvre

MOUNTING Stucchi Recessed | Trimless Recessed | Surface | Suspended

WEIGHT 395g (570g for Premium finishes)

FORWARD VOLTAGE 48V

SUPPLY TYPE Constant Voltage

DIMMING DALI | 0-10V

FINISHES

FINISHES Brushed Aluminium* | White RAL9016 | Black RAL9006 | Rubbed Bronze* | Polished Brass* | Brushed Brass*

*All premium & custom finishes are built & finished to order. These are subject to an extended lead time & MOQ.

All premium finishes are supplied with a black track adapter.

OPTICAL

SYSTEM POWER 12.6W

MODULE OUTPUT 1245lm**

ABSOLUTE OUTPUT 1104lm

COLOUR TEMPERATURE 2400K | 2700K | 3000K***

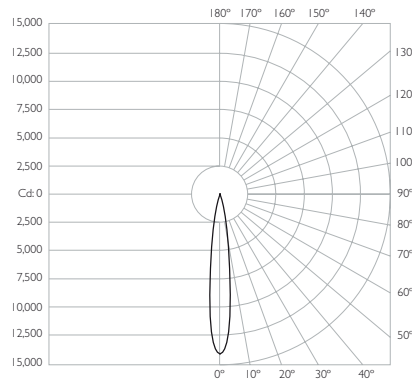
CRI 92 TYP - 2400K | 98 TYP - 2700K/3000K

TM-30 Rf 95 / Rg 101

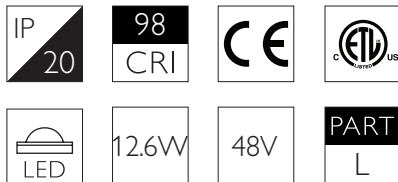
BEAM ANGLE 15°

**Photometry shown is correct for 3000K module. Please enquire for 2700K/2400K module output.

***Colour temperature options 2700K and 3000K are standard. 2400K and 4000K options available upon request.



12.6W 15°		3000K LED
1m	0.3m	14,173 lx
2m	0.5m	3,543 lx
3m	0.8m	1,574 lx
4m	1.0m	885 lx
5m	1.3m	567 lx



FINISH	Track & Adapter	White 9016	Black 9005			
	Luminaire	White 9016	Black 9005	Brushed Aluminium*	Rubbed Bronze *	Polished Brass *

DIMMING	DALI	I052C-TW-XX9215-D	I052C-BK-XX9215-D	I052C-AL-XX9215-D	I052C-RB-XX9215-D	I052C-PB-XX9215-D	I052C-SB-XX9215-D
---------	------	-------------------	-------------------	-------------------	-------------------	-------------------	-------------------

For 3000K Substitute XX with 30

-

For 2700K Substitute XX with 27

*All premium & custom finishes are built & finished to order. These are subject to an extended lead time & MOQ. All premium finishes are supplied with a black track adapter.

PRECISION
LIGHTING

SALES@PRECISIONLIGHTING.CO.UK

PRECISIONLIGHTING.CO.UK

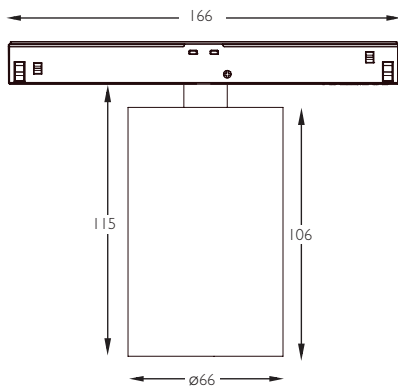
42 RIVERSIDE ROAD
LONDON SW17 0BA

t. +44 (0)20 8947 6616

SOLO 16 PLUS STUCCHI

LUMINAIRES
SPEC SHEET 1052C

MEDIUM FLOOD



TECHNICAL DESCRIPTION

Solo 16 Plus Stucchi is a constant voltage single source LED spotlight that is machined from aerospace grade aluminium 6063-T6 and comes as standard in white (RAL 9016), black (RAL 9005) along with four premium aluminium and brass finishes. It has five site changeable optics for flexible distribution and ultra high 98 TYP CRI options for colour critical applications. The Medium Flood beam in our 12.6W 1245lm module has a peak intensity of 5149cd. An accessory holder is available separately that can accommodate lenses and louvres. There is a 360 degree bearing aided rotation and a lockable 90 degree constant torque tilt mechanism. Solo 16 Plus for Stucchi is suited to 48V DC Stucchi track and provides individual dimming control via DALI or group dimming via 0-10V.

MECHANICAL & ELECTRICAL

CATEGORY Interior use only IP20

MATERIAL Machined Aluminium 6063-T6 | Machined

Brass

PAN 360°

TILT 90°

LOCKABLE Pan

ACCESSORIES Accessory holder | Lenses | Louvre

MOUNTING Stucchi Recessed | Trimless Recessed | Surface | Suspended

WEIGHT 395g (570g for Premium finishes)

FORWARD VOLTAGE 48V

SUPPLY TYPE Constant Voltage

DIMMING DALI | 0-10V

FINISHES

FINISHES Brushed Aluminium* | White RAL9016 | Black RAL9006 | Rubbed Bronze* | Polished Brass* | Brushed Brass*

*All premium & custom finishes are built & finished to order. These are subject to an extended lead time & MOQ.

All premium finishes are supplied with a black track adapter.

OPTICAL

SYSTEM POWER 12.6W

MODULE OUTPUT 1245lm**

ABSOLUTE OUTPUT 1072lm

COLOUR TEMPERATURE 2400K | 2700K | 3000K***

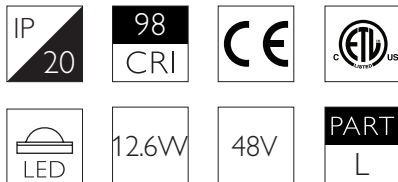
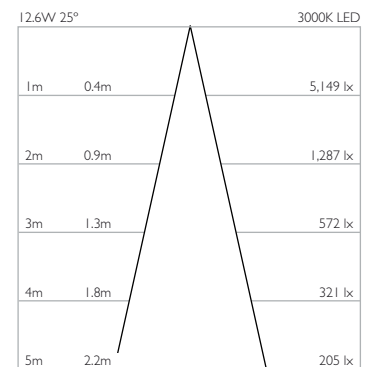
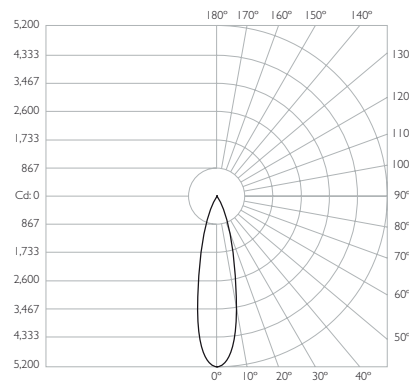
CRI 92 TYP - 2400K | 98 TYP - 2700K/3000K

TM-30 Rf 95 / Rg 101

BEAM ANGLE 25°

**Photometry shown is correct for 3000K module. Please enquire for 2700K/2400K module output.

***Colour temperature options 2700K and 3000K are standard. 2400K and 4000K options available upon request.



FINISH	Track & Adapter	White 9016	Black 9005			
	Luminaire	White 9016	Black 9005	Brushed Aluminium*	Rubbed Bronze *	Polished Brass *

DIMMING	DALI	I052C-TW-XX9225-D	I052C-BK-XX9225-D	I052C-AL-XX9225-D	I052C-RB-XX9225-D	I052C-PB-XX9225-D	I052C-SB-XX9225-D
---------	------	-------------------	-------------------	-------------------	-------------------	-------------------	-------------------

For 3000K Substitute XX with 30

-

For 2700K Substitute XX with 27

*All premium & custom finishes are built & finished to order. These are subject to an extended lead time & MOQ. All premium finishes are supplied with a black track adapter.

PRECISION
LIGHTING

SALES@PRECISIONLIGHTING.CO.UK

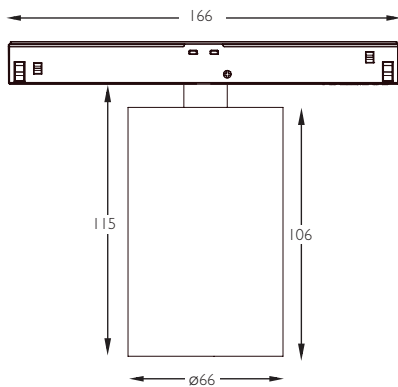
PRECISIONLIGHTING.CO.UK

42 RIVERSIDE ROAD
LONDON SW17 0BA

t. +44 (0)20 8947 6616

Version 10.20

FLOOD



TECHNICAL DESCRIPTION

Solo 16 Plus Stucchi is a constant voltage single source LED spotlight that is machined from aerospace grade aluminium 6063-T6 and comes as standard in white (RAL 9016), black (RAL 9005) along with four premium aluminium and brass finishes. It has five site changeable optics for flexible distribution and ultra high 98 TYP CRI options for colour critical applications. The Flood beam in our 12.6W 1245lm module has a peak intensity of 2358cd. An accessory holder is available separately that can accommodate lenses and louvres. There is a 360 degree bearing aided rotation and a lockable 90 degree constant torque tilt mechanism. Solo 16 Plus for Stucchi is suited to 48V DC Stucchi track and provides individual dimming control via DALI or group dimming via 0-10V.

MECHANICAL & ELECTRICAL

CATEGORY Interior use only IP20

MATERIAL Machined Aluminium 6063-T6 | Machined Brass

PAN 360°

TILT 90°

LOCKABLE Pan

ACCESSORIES Accessory holder | Lenses | Louvre

MOUNTING Stucchi Recessed | Trimless Recessed | Surface | Suspended

WEIGHT 395g (570g for Premium finishes)

FORWARD VOLTAGE 48V

SUPPLY TYPE Constant Voltage

DIMMING DALI | 0-10V

FINISHES

FINISHES Brushed Aluminium* | White RAL9016 | Black RAL9006 | Rubbed Bronze* | Polished Brass* | Brushed Brass*

*All premium & custom finishes are built & finished to order. These are subject to an extended lead time & MOQ.

All premium finishes are supplied with a black track adapter.

OPTICAL

SYSTEM POWER 12.6W

MODULE OUTPUT 1245lm**

ABSOLUTE OUTPUT 987lm

COLOUR TEMPERATURE 2400K | 2700K | 3000K***

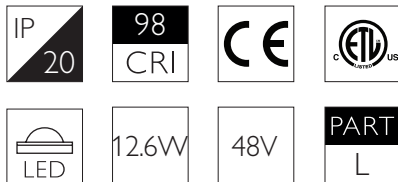
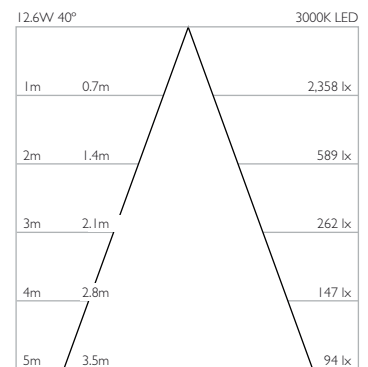
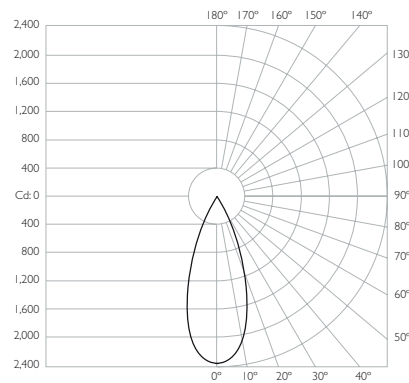
CRI 92 TYP - 2400K | 98 TYP - 2700K/3000K

TM-30 Rf 95 / Rg 101

BEAM ANGLE 40°

**Photometry shown is correct for 3000K module. Please enquire for 2700K/2400K module output.

***Colour temperature options 2700K and 3000K are standard. 2400K and 4000K options available upon request.



FINISH	Track & Adapter	White 9016	Black 9005			
	Luminaire	White 9016	Black 9005	Brushed Aluminium*	Rubbed Bronze *	Polished Brass *

DIMMING	DALI	I052C-TW-XX9240-D	I052C-BK-XX9240-D	I052C-AL-XX9240-D	I052C-RB-XX9240-D	I052C-PB-XX9240-D	I052C-SB-XX9240-D
---------	------	-------------------	-------------------	-------------------	-------------------	-------------------	-------------------

For 3000K Substitute XX with 30

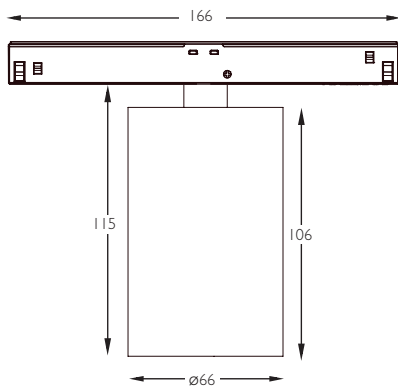
For 2700K Substitute XX with 27

*All premium & custom finishes are built & finished to order. These are subject to an extended lead time & MOQ. All premium finishes are supplied with a black track adapter.

SOLO 16 PLUS STUCCHI

LUMINAIRES
SPEC SHEET 1052C

WIDE FLOOD



TECHNICAL DESCRIPTION

Solo 16 Plus Stucchi is a constant voltage single source LED spotlight that is machined from aerospace grade aluminium 6063-T6 and comes as standard in white (RAL 9016), black (RAL 9005) along with four premium aluminium and brass finishes. It has five site changeable optics for flexible distribution and ultra high 98 TYP CRI options for colour critical applications. The Wide Flood beam in our 12.6W 1245lm module has a peak intensity of 1545cd. An accessory holder is available separately that can accommodate lenses and louvres. There is a 360 degree bearing aided rotation and a lockable 90 degree constant torque tilt mechanism. Solo 16 Plus for Stucchi is suited to 48V DC Stucchi track and provides individual dimming control via DALI or group dimming via 0-10V.

MECHANICAL & ELECTRICAL

CATEGORY Interior use only IP20

MATERIAL Machined Aluminium 6063-T6 | Machined

Brass

PAN 360°

TILT 90°

LOCKABLE Pan

ACCESSORIES Accessory holder | Lenses | Louvre

MOUNTING Stucchi Recessed | Trimless Recessed | Surface | Suspended

WEIGHT 395g (570g for Premium finishes)

FORWARD VOLTAGE 48V

SUPPLY TYPE Constant Voltage

DIMMING DALI | 0-10V

FINISHES

FINISHES Brushed Aluminium* | White RAL9016 | Black RAL9006 | Rubbed Bronze* | Polished Brass* | Brushed Brass*

*All premium & custom finishes are built & finished to order. These are subject to an extended lead time & MOQ.

All premium finishes are supplied with a black track adapter.

OPTICAL

SYSTEM POWER 12.6W

MODULE OUTPUT 1245lm**

ABSOLUTE OUTPUT 979lm

COLOUR TEMPERATURE 2400K | 2700K | 3000K***

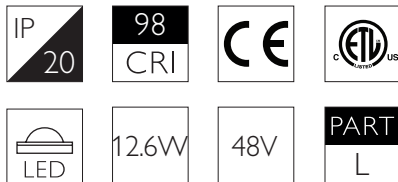
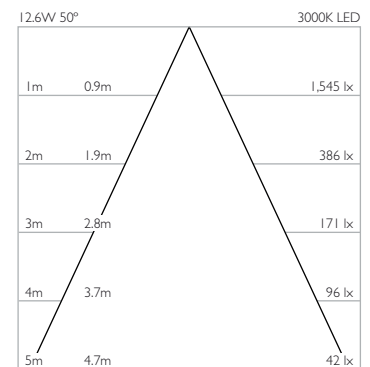
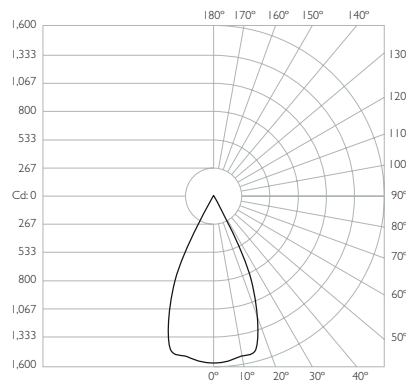
CRI 92 TYP - 2400K | 98 TYP - 2700K/3000K

TM-30 Rf 95 / Rg 101

BEAM ANGLE 50°

**Photometry shown is correct for 3000K module. Please enquire for 2700K/2400K module output.

***Colour temperature options 2700K and 3000K are standard. 2400K and 4000K options available upon request.



FINISH	Track & Adapter	White 9016	Black 9005			
	Luminaire	White 9016	Black 9005	Brushed Aluminium*	Rubbed Bronze *	Polished Brass *

DIMMING	DALI	I052C-TW-XX9250-D	I052C-BK-XX9250-D	I052C-AL-XX9250-D	I052C-RB-XX9250-D	I052C-PB-XX9250-D	I052C-SB-XX9250-D
---------	------	-------------------	-------------------	-------------------	-------------------	-------------------	-------------------

For 3000K Substitute XX with 30

For 2700K Substitute XX with 27

*All premium & custom finishes are built & finished to order. These are subject to an extended lead time & MOQ. All premium finishes are supplied with a black track adapter.

PRECISION
LIGHTING

SALES@PRECISIONLIGHTING.CO.UK

PRECISIONLIGHTING.CO.UK

42 RIVERSIDE ROAD
LONDON SW17 0BA

t. +44 (0)20 8947 6616