

DISCUS 16

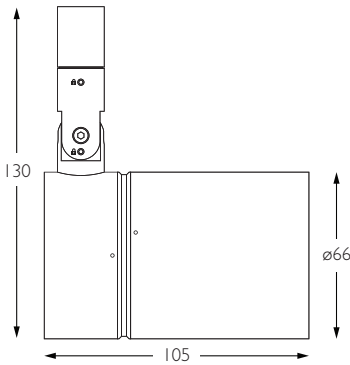
NARROW SPOT | LONG SNOOT



- Category** Interior use only IP20
- Material** Machined Aluminium
- Finish** Brushed Aluminium | Black | White | Custom
- System** Eutrac | Monopoint | LV tracks
- Lockable** Pan & Tilt
- Accessories** Snoots | Louvres | Lenses
- System Power** 7W
- Module Output** 560lm
- Absolute Output** 535lm
- LOR** 96%
- Colour Temperature** 3000K | 2700K | *
- CRI** Ra: 95 **TM-30** Rf: 93 Rg: 99
- Optics** 12°
- Gear Type** Dimmable options available
- Weight** 422g

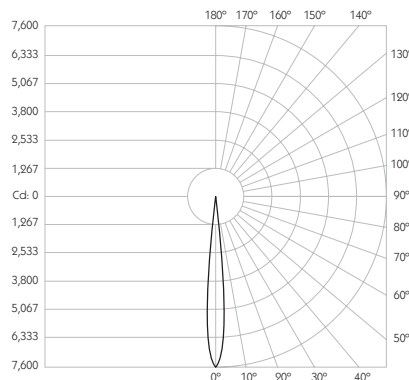


* Please enquire as to the availability of non-standard Colour Temperatures.

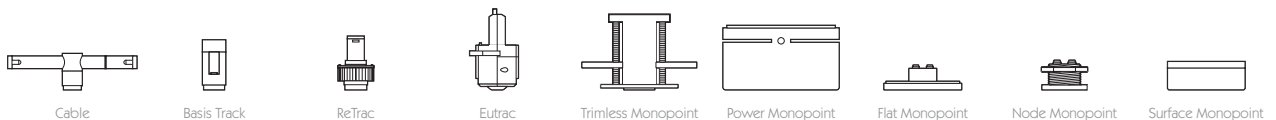


Discus 16 is a 95CRI LED spotlight, based on a minimalist design with advanced features and benefits. The spotlight comes as standard in white, black and brushed aluminium finishes, and has three site changeable optics for flexible distribution. Movement is aided with a low friction bearing rotation and constant torque tilt mechanism, both lockable in pan and tilt. The Precision Lighting Jack Plug system enables the luminaire to be easily disconnected and reconnected to all of Precision Lighting's systems, offering flexibility throughout the product's lifetime. The onboard 24V driver ensures overcurrent protection and is not polarity sensitive. Discus 16 is machined from aerospace grade 6063-T6 aluminium, delivering a lumen package of 560lm at 7W.

Product Photometry independently tested in accordance with LM-79



Distance	Beam Diameter	Footcandle (lx)
1m	0.21m	7,570 lx
2m	0.42m	1,892 lx
3m	0.63m	841 lx
4m	0.84m	473 lx
5m	1.05m	303 lx



	BT-752-AL-XX9512	RT-752-AL-XX9512	EUT3-752-AL-XX9512	MPS-752-AL-XX9512	MPX-752-AL-XX9512	MPY-752-AL-XX9512	MPZ-752-AL-XX9512
		RT-752-BK-XX9512	EUT3-752-BK-XX9512	MPS-752-BK-XX9512	MPX-752-BK-XX9512	MPY-752-BK-XX9512	MPZ-752-BK-XX9512
	RT-752-WH-XX9512	EUT3-752-WH-XX9512	MPS-752-WH-XX9512	MPX-752-WH-XX9512	MPY-752-WH-XX9512	MPZ-752-WH-XX9512	

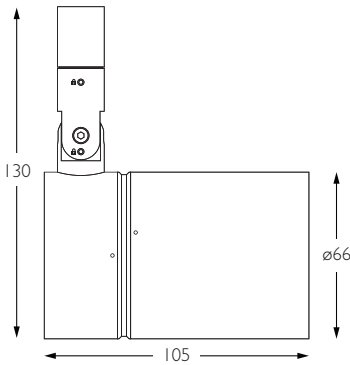
For 3000K Substitute XX with 30 | For 2700K Substitute XX with 27



Category Interior use only IP20
Material Machined Aluminium
Finish Brushed Aluminium | Black | White | Custom
System Eutrac | Monopoint | LV tracks
Lockable Pan & Tilt
Accessories Snoots | Louvres | Lenses
System Power 7W
Module Output 560lm
Absolute Output 535lm
LOR 96%
Colour Temperature 3000K | 2700K | *
CRI Ra: 95 **TM-30** Rf: 93 Rg: 99
Optics 20°
Gear Type Dimmable options available
Weight 422g

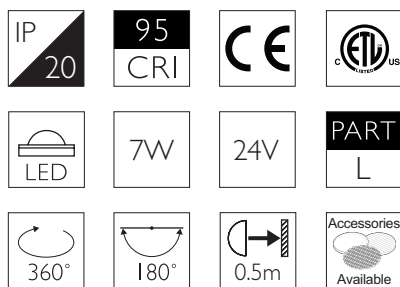
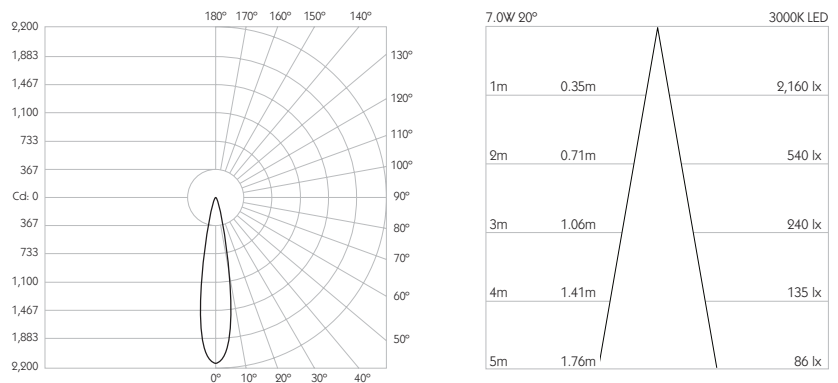


* Please enquire as to the availability of non-standard Colour Temperatures.



Discus 16 is a 95CRI LED spotlight, based on a minimalist design with advanced features and benefits. The spotlight comes as standard in white, black and brushed aluminium finishes, and has three site changeable optics for flexible distribution. Movement is aided with a low friction bearing rotation and constant torque tilt mechanism, both lockable in pan and tilt. The Precision Lighting Jack Plug system enables the luminaire to be easily disconnected and reconnected to all of Precision Lighting's systems, offering flexibility throughout the product's lifetime. The onboard 24V driver ensures overcurrent protection and is not polarity sensitive. Discus 16 is machined from aerospace grade 6063-T6 aluminium, delivering a lumen package of 560lm at 7W.

Product Photometry independently tested in accordance with LM-79



System	Cable	Basis Track	ReTrac	Eutrac	Trimless Monopoint	Power Monopoint	Flat Monopoint	Node Monopoint	Surface Monopoint
Brushed Aluminium		BT-752-AL-XX9520	RT-752-AL-XX9520	EUT3-752-AL-XX9520	MPS-752-AL-XX9520		MPX-752-AL-XX9520	MPY-752-AL-XX9520	MPZ-752-AL-XX9520
Black			RT-752-BK-XX9520	EUT3-752-BK-XX9520	MPS-752-BK-XX9520		MPX-752-BK-XX9520	MPY-752-BK-XX9520	MPZ-752-BK-XX9520
White			RT-752-WH-XX9520	EUT3-752-WH-XX9520	MPS-752-WH-XX9520		MPX-752-WH-XX9520	MPY-752-WH-XX9520	MPZ-752-WH-XX9520

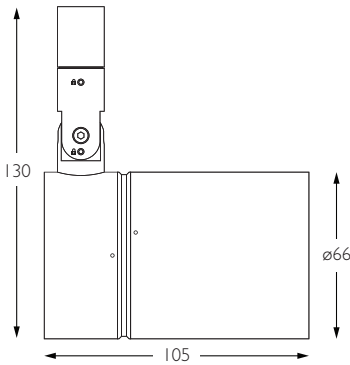
For 3000K Substitute XX with 30 | For 2700K Substitute XX with 27



Category Interior use only IP20
Material Machined Aluminium
Finish Brushed Aluminium | Black | White | Custom
System Eutrac | Monopoint | LV tracks
Lockable Pan & Tilt
Accessories Snoots | Louvres | Lenses
System Power 7W
Module Output 560lm
Absolute Output 530lm
LOR 95%
Colour Temperature 3000K | 2700K | *
CRI Ra: 95 **TM-30** Rf: 93 Rg: 99
Optics 40°
Gear Type Dimmable options available
Weight 422g

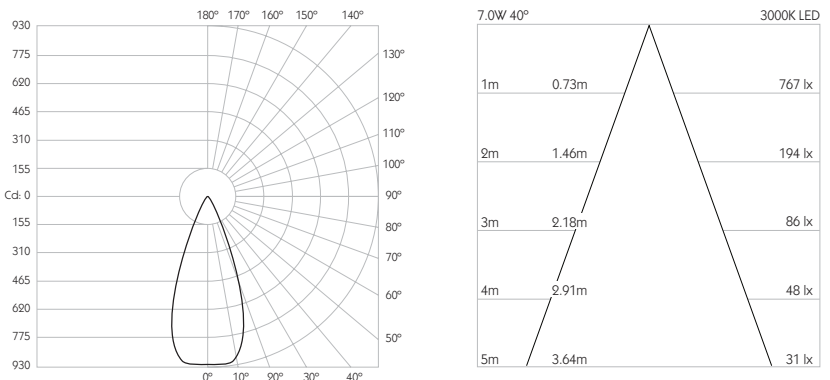


* Please enquire as to the availability of non-standard Colour Temperatures.



Discus 16 is a 95CRI LED spotlight, based on a minimalist design with advanced features and benefits. The spotlight comes as standard in white, black and brushed aluminium finishes, and has three site changeable optics for flexible distribution. Movement is aided with a low friction bearing rotation and constant torque tilt mechanism, both lockable in pan and tilt. The Precision Lighting Jack Plug system enables the luminaire to be easily disconnected and reconnected to all of Precision Lighting's systems, offering flexibility throughout the product's lifetime. The onboard 24V driver ensures overcurrent protection and is not polarity sensitive. Discus 16 is machined from aerospace grade 6063-T6 aluminium, delivering a lumen package of 560lm at 7W.

Product Photometry independently tested in accordance with LM-79



IP 20	95 CRI	CE	ETL US
LED	7W	24V	PART L
360°	180°	0.5m	Accessories Available

	BT-752-AL-XX9540	RT-752-AL-XX9540	EUT3-752-AL-XX9540	MPS-752-AL-XX9540		MPX-752-AL-XX9540	MPY-752-AL-XX9540	MPZ-752-AL-XX9540
		RT-752-BK-XX9540	EUT3-752-BK-XX9540	MPS-752-BK-XX9540		MPX-752-BK-XX9540	MPY-752-BK-XX9540	MPZ-752-BK-XX9540
		RT-752-WH-XX9540	EUT3-752-WH-XX9540	MPS-752-WH-XX9540		MPX-752-WH-XX9540	MPY-752-WH-XX9540	MPZ-752-WH-XX9540

For 3000K Substitute XX with 30 | For 2700K Substitute XX with 27