

OCULUS 11

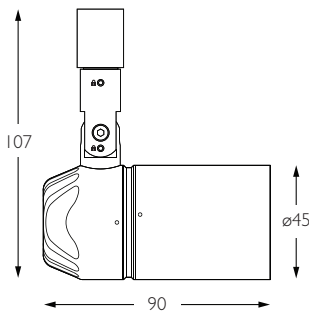
NARROW SPOT | LONG SNOOT



- Category** Interior use only IP20
- Material** Machined Aluminium
- Finish** Brushed Aluminium | Black | White | Custom
- System** Eutrac | Monopoint | LV tracks
- Lockable** Pan & Tilt
- Accessories** Snoots | Louvres | Lenses
- System Power** 5.5W
- Module Output** 420lm
- Absolute Output** 408lm
- LOR** 97%
- Colour Temperature** 3000K | 2700K | *
- CRI** Ra: 95 **TM-30** Rf: 93 Rg: 99
- Optics** 14°
- Gear Type** Dimmable options available
- Weight** 167g

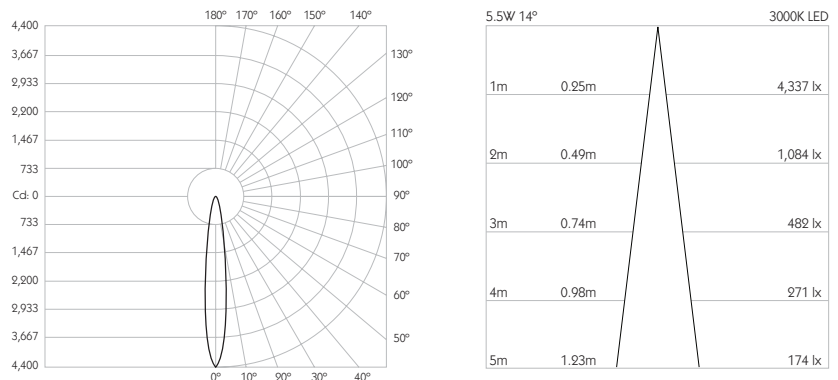


* Please enquire as to the availability of non-standard CRI and Colour Temperatures.

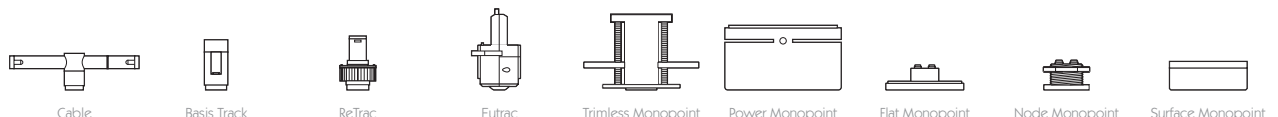


Oculus 11 is a small 95CRI LED spotlight, based on a highly efficient heatsink with advanced features and benefits. The spotlight comes as standard in white, black and brushed aluminium finishes, and has three site changeable optics for flexible distribution. Movement is aided with a low friction bearing rotation and constant torque tilt mechanism, both lockable in pan and tilt. The Precision Lighting Jack Plug system enables the luminaire to be easily disconnected and reconnected to all of Precision Lighting's systems, offering flexibility throughout the product's lifetime. The onboard 24V driver ensures overcurrent protection and is not polarity sensitive. Oculus 11 is machined from aerospace grade 6063-T6 aluminium, delivering a lumen package of 420lm at 5.5W.

Product Photometry independently tested in accordance with LM-79



IP 20	95 CRI	CE	ETL US
LED	5.5W	24V	PART L
360°	180°	0.5m	Accessories Available



Grey	CA-712-AL-XX9514	BT-712-AL-XX9514	RT-712-AL-XX9514	EUT3-712-AL-XX9514	MPS-712-AL-XX9514	MPX-712-AL-XX9514	MPY-712-AL-XX9514	MPZ-712-AL-XX9514
Black			RT-712-BK-XX9514	EUT3-712-BK-XX9514	MPS-712-BK-XX9514	MPX-712-BK-XX9514	MPY-712-BK-XX9514	MPZ-712-BK-XX9514
White	RT-712-WH-XX9514	EUT3-712-WH-XX9514	MPS-712-WH-XX9514	MPX-712-WH-XX9514	MPY-712-WH-XX9514	MPZ-712-WH-XX9514		

For 3000K Substitute XX with 30 | For 2700K Substitute XX with 27

OCULUS 11

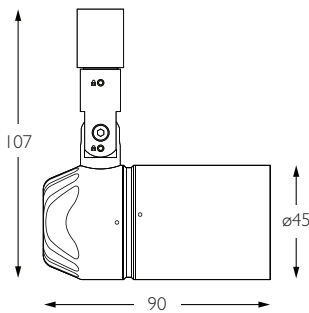
SPOT | LONG SNOOT



Category Interior use only IP20
Material Machined Aluminium
Finish Brushed Aluminium | Black | White | Custom
System Eutrac | Monopoint | LV tracks
Lockable Pan & Tilt
Accessories Snoots | Louvres | Lenses
System Power 5.5W
Module Output 420lm
Absolute Output 390lm
LOR 93%
Colour Temperature 3000K | 2700K | *
CRI Ra: 95 **TM-30** Rf: 93 Rg: 99
Optics 20°
Gear Type Dimmable options available
Weight 167g

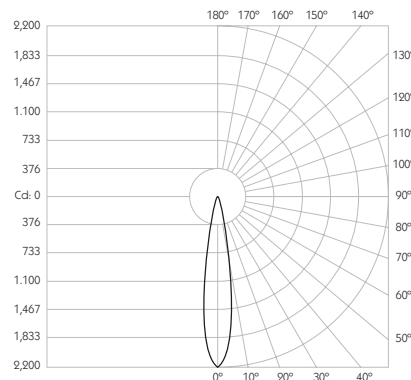


* Please enquire as to the availability of non-standard Colour Temperatures.



Oculus 11 is a small 95CRI LED spotlight, based on a highly efficient heatsink with advanced features and benefits. The spotlight comes as standard in white, black and brushed aluminium finishes, and has three site changeable optics for flexible distribution. Movement is aided with a low friction bearing rotation and constant torque tilt mechanism, both lockable in pan and tilt. The Precision Lighting Jack Plug system enables the luminaire to be easily disconnected and reconnected to all of Precision Lighting's systems, offering flexibility throughout the product's lifetime. The onboard 24V driver ensures overcurrent protection and is not polarity sensitive. Oculus 11 is machined from aerospace grade 6063-T6 aluminium, delivering a lumen package of 420lm at 5.5W.

Product Photometry independently tested in accordance with LM-79



Distance	Beam Diameter	Illuminance (lx)
1m	0.35m	2,194 lx
2m	0.71m	549 lx
3m	1.06m	244 lx
4m	1.41m	137 lx
5m	1.76m	88 lx

IP 20	95 CRI	CE	ETL US
LED	5.5W	24V	PART L
360°	180°	0.5m	Accessories Available

System	Cable	Basis Track	ReTrac	Eutrac	Trimless Monopoint	Power Monopoint	Flat Monopoint	Node Monopoint	Surface Monopoint
3000K	CA-712-AL-XX9520	BT-712-AL-XX9520	RT-712-AL-XX9520	EUT3-712-AL-XX9520	MPS-712-AL-XX9520		MPX-712-AL-XX9520	MPY-712-AL-XX9520	MPZ-712-AL-XX9520
2700K			RT-712-BK-XX9520	EUT3-712-BK-XX9520	MPS-712-BK-XX9520		MPX-712-BK-XX9520	MPY-712-BK-XX9520	MPZ-712-BK-XX9520
2700K			RT-712-WH-XX9520	EUT3-712-WH-XX9520	MPS-712-WH-XX9520		MPX-712-WH-XX9520	MPY-712-WH-XX9520	MPZ-712-WH-XX9520

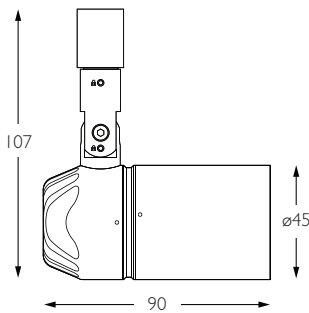
For 3000K Substitute XX with 30 | For 2700K Substitute XX with 27



Category Interior use only IP20
Material Machined Aluminium
Finish Brushed Aluminium | Black | White | Custom
System Eutrac | Monopoint | LV tracks
Lockable Pan & Tilt
Accessories Snoots | Louvres | Lenses
System Power 5.5W
Module Output 420lm
Absolute Output 365lm
LOR 87%
Colour Temperature 3000K | 2700K | *
CRI Ra: 95 **TM-30** Rf: 93 Rg: 99
Optics 30°
Gear Type Dimmable options available
Weight 167g

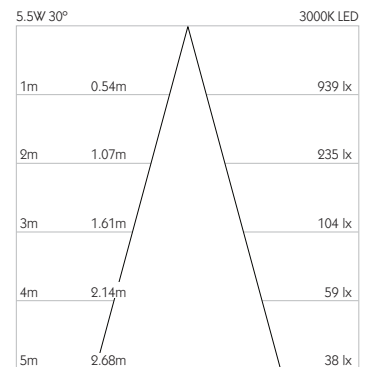
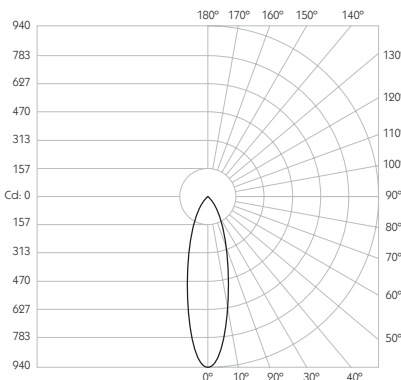


* Please enquire as to the availability of non-standard Colour Temperatures.



Oculus 11 is a small 95CRI LED spotlight, based on a highly efficient heatsink with advanced features and benefits. The spotlight comes as standard in white, black and brushed aluminium finishes, and has three site changeable optics for flexible distribution. Movement is aided with a low friction bearing rotation and constant torque tilt mechanism, both lockable in pan and tilt. The Precision Lighting Jack Plug system enables the luminaire to be easily disconnected and reconnected to all of Precision Lighting's systems, offering flexibility throughout the product's lifetime. The onboard 24V driver ensures overcurrent protection and is not polarity sensitive. Oculus 11 is machined from aerospace grade 6063-T6 aluminium, delivering a lumen package of 420lm at 5.5W.

Product Photometry independently tested in accordance with LM-79



IP 20	95 CRI	CE	ETL US
LED	5.5W	24V	PART L
360°	180°	0.5m	Accessories Available

Accessories	Cable	Basis Track	ReTrac	Eutrac	Trimless Monopoint	Power Monopoint	Flat Monopoint	Node Monopoint	Surface Monopoint
Grey	CA-712-AL-XX9530	BT-712-AL-XX9530	RT-712-AL-XX9530	EUT3-712-AL-XX9530	MPS-712-AL-XX9530		MPX-712-AL-XX9530	MPY-712-AL-XX9530	MPZ-712-AL-XX9530
Black			RT-712-BK-XX9530	EUT3-712-BK-XX9530	MPS-712-BK-XX9530		MPX-712-BK-XX9530	MPY-712-BK-XX9530	MPZ-712-BK-XX9530
White	RT-712-WH-XX9530		EUT3-712-WH-XX9530	MPS-712-WH-XX9530		MPX-712-WH-XX9530	MPY-712-WH-XX9530	MPZ-712-WH-XX9530	

For 3000K Substitute XX with 30 | For 2700K Substitute XX with 27