

OCULUS 11

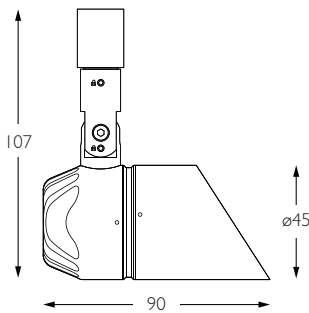
NARROW SPOT | GLARE GUARD



- Category** Interior use only IP20
- Material** Machined Aluminium
- Finish** Brushed Aluminium | Black | White | Custom
- System** Eutrac | Monopoint | LV tracks
- Lockable** Pan & Tilt
- Accessories** Snoots | Louvres | Lenses
- System Power** 5.5W
- Module Output** 420lm
- Absolute Output** 408lm
- LOR** 97%
- Colour Temperature** 3000K | 2700K | *
- CRI** Ra: 95 **TM-30** Rf: 93 Rg: 99
- Optics** 14°
- Gear Type** Dimmable options available
- Weight** 160g

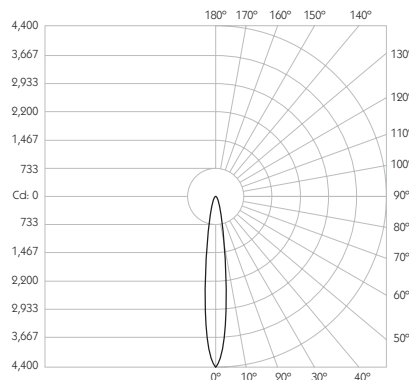


* Please enquire as to the availability of non-standard Colour Temperatures.



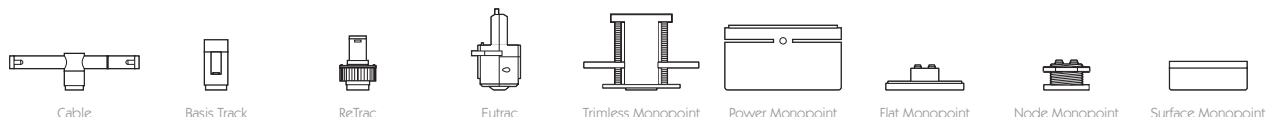
Oculus 11 is a small 95CRI LED spotlight, based on a highly efficient heatsink with advanced features and benefits. The spotlight comes as standard in white, black and brushed aluminium finishes, and has three site changeable optics for flexible distribution. Movement is aided with a low friction bearing rotation and constant torque tilt mechanism, both lockable in pan and tilt. The Precision Lighting Jack Plug system enables the luminaire to be easily disconnected and reconnected to all of Precision Lighting's systems, offering flexibility throughout the product's lifetime. The onboard 24V driver ensures overcurrent protection and is not polarity sensitive. Oculus 11 is machined from aerospace grade 6063-T6 aluminium, delivering a lumen package of 420lm at 5.5W.

Product Photometry independently tested in accordance with LM-79



| Distance (m) | Beam Diameter (m) | Footcandle (lx) |
|--------------|-------------------|-----------------|
| 1m | 0.25m | 4,337 lx |
| 2m | 0.49m | 1,084 lx |
| 3m | 0.74m | 482 lx |
| 4m | 0.98m | 271 lx |
| 5m | 1.23m | 174 lx |

| | | | |
|--|--|--|--|
| | | | |
| | | | |
| | | | |



| | | | | | | | | |
|--|------------------|--------------------|-------------------|--------------------|-------------------|-------------------|-------------------|-------------------|
| | CA-711-AL-XX9514 | BT-711-AL-XX9514 | RT-711-AL-XX9514 | EUT3-711-AL-XX9514 | MPS-711-AL-XX9514 | MPX-711-AL-XX9514 | MPY-711-AL-XX9514 | MPZ-711-AL-XX9514 |
| | | | | | | | | |
| | | | RT-711-BK-XX9514 | EUT3-711-BK-XX9514 | MPS-711-BK-XX9514 | MPX-711-BK-XX9514 | MPY-711-BK-XX9514 | MPZ-711-BK-XX9514 |
| | RT-711-WH-XX9514 | EUT3-711-WH-XX9514 | MPS-711-WH-XX9514 | | | MPX-711-WH-XX9514 | MPY-711-WH-XX9514 | MPZ-711-WH-XX9514 |

For 3000K Substitute XX with 30 | For 2700K Substitute XX with 27

OCULUS 11

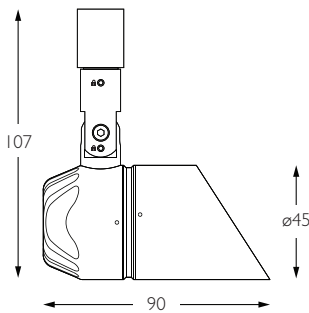
SPOT | GLARE GUARD



Category Interior use only IP20
Material Machined Aluminium
Finish Brushed Aluminium | Black | White | Custom
System Eutrac | Monopoint | LV tracks
Lockable Pan & Tilt
Accessories Snoots | Louvres | Lenses
System Power 5.5W
Module Output 420lm
Absolute Output 390lm
LOR 93%
Colour Temperature 3000K | 2700K | *
CRI Ra: 95 **TM-30** Rf: 93 Rg: 99
Optics 20°
Gear Type Dimmable options available
Weight 160g

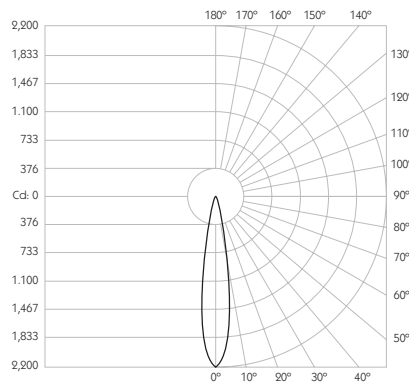


* Please enquire as to the availability of non-standard Colour Temperatures.



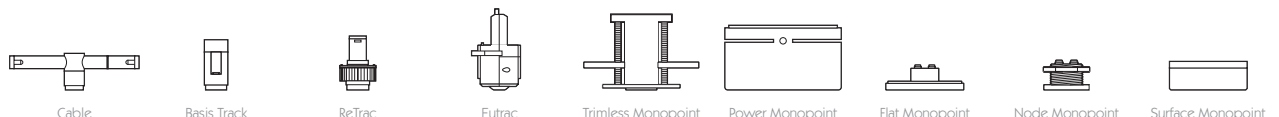
Oculus 11 is a small 95CRI LED spotlight, based on a highly efficient heatsink with advanced features and benefits. The spotlight comes as standard in white, black and brushed aluminium finishes, and has three site changeable optics for flexible distribution. Movement is aided with a low friction bearing rotation and constant torque tilt mechanism, both lockable in pan and tilt. The Precision Lighting Jack Plug system enables the luminaire to be easily disconnected and reconnected to all of Precision Lighting's systems, offering flexibility throughout the product's lifetime. The onboard 24V driver ensures overcurrent protection and is not polarity sensitive. Oculus 11 is machined from aerospace grade 6063-T6 aluminium, delivering a lumen package of 420lm at 5.5W.

Product Photometry independently tested in accordance with LM-79



| Distance | Beam Diameter | Illuminance (lx) |
|----------|---------------|------------------|
| 1m | 0.35m | 2,194 lx |
| 2m | 0.71m | 549 lx |
| 3m | 1.06m | 244 lx |
| 4m | 1.41m | 137 lx |
| 5m | 1.76m | 88 lx |

| | | | |
|-------|--------|------|-----------------------|
| IP 20 | 95 CRI | CE | ETL US |
| LED | 5.5W | 24V | PART L |
| 360° | 180° | 0.5m | Accessories Available |

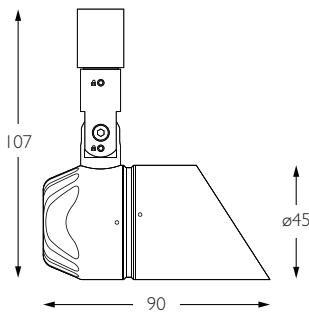


| | | | | | | | | |
|-------|------------------|--------------------|-------------------|--------------------|-------------------|-------------------|-------------------|-------------------|
| Grey | CA-711-AL-XX9520 | BT-711-AL-XX9520 | RT-711-AL-XX9520 | EUT3-711-AL-XX9520 | MPS-711-AL-XX9520 | MPX-711-AL-XX9520 | MPY-711-AL-XX9520 | MPZ-711-AL-XX9520 |
| Black | | | RT-711-BK-XX9520 | EUT3-711-BK-XX9520 | MPS-711-BK-XX9520 | MPX-711-BK-XX9520 | MPY-711-BK-XX9520 | MPZ-711-BK-XX9520 |
| White | RT-711-WH-XX9520 | EUT3-711-WH-XX9520 | MPS-711-WH-XX9520 | MPX-711-WH-XX9520 | MPY-711-WH-XX9520 | MPZ-711-WH-XX9520 | | |

For 3000K Substitute XX with 30 | For 2700K Substitute XX with 27

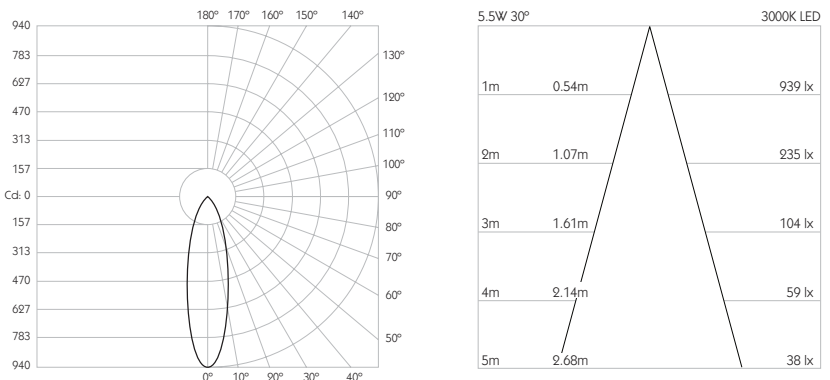


Category Interior use only IP20
Material Machined Aluminium
Finish Brushed Aluminium | Black | White | Custom
System Eutrac | Monopoint | LV tracks
Lockable Pan & Tilt
Accessories Snoots | Louvres | Lenses
System Power 5.5W
Module Output 420lm
Absolute Output 365lm
LOR 87%
Colour Temperature 3000K | 2700K | *
CRI Ra: 95 **TM-30** Rf: 93 Rg: 99
Optics 30°
Gear Type Dimmable options available
Weight 160g

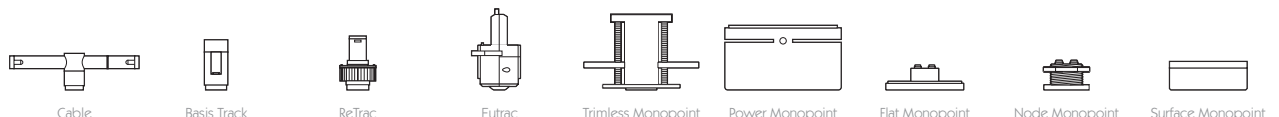


Oculus 11 is a small 95CRI LED spotlight, based on a highly efficient heatsink with advanced features and benefits. The spotlight comes as standard in white, black and brushed aluminium finishes, and has three site changeable optics for flexible distribution. Movement is aided with a low friction bearing rotation and constant torque tilt mechanism, both lockable in pan and tilt. The Precision Lighting Jack Plug system enables the luminaire to be easily disconnected and reconnected to all of Precision Lighting's systems, offering flexibility throughout the product's lifetime. The onboard 24V driver ensures overcurrent protection and is not polarity sensitive. Oculus 11 is machined from aerospace grade 6063-T6 aluminium, delivering a lumen package of 420lm at 5.5W.

Product Photometry independently tested in accordance with LM-79



| | | | |
|-------|--------|------|-----------------------|
| IP 20 | 95 CRI | CE | ETL US |
| LED | 5.5W | 24V | PART L |
| 360° | 180° | 0.5m | Accessories Available |



| | | | | | | | |
|------------------|------------------|------------------|--------------------|-------------------|-------------------|-------------------|-------------------|
| CA-711-AL-XX9530 | BT-711-AL-XX9530 | RT-711-AL-XX9530 | EUT3-711-AL-XX9530 | MPS-711-AL-XX9530 | MPX-711-AL-XX9530 | MPY-711-AL-XX9530 | MPZ-711-AL-XX9530 |
| | | RT-711-BK-XX9530 | EUT3-711-BK-XX9530 | MPS-711-BK-XX9530 | MPX-711-BK-XX9530 | MPY-711-BK-XX9530 | MPZ-711-BK-XX9530 |
| | | RT-711-WH-XX9530 | EUT3-711-WH-XX9530 | MPS-711-WH-XX9530 | MPX-711-WH-XX9530 | MPY-711-WH-XX9530 | MPZ-711-WH-XX9530 |

For 3000K Substitute XX with 30 | For 2700K Substitute XX with 27