

# MINIMO FIXED CIRCULAR

luminaires  
spec sheet 601

NARROW SPOT



**Category** Interior use only IP20

**Material** Machined Aluminium | Machined Brass

**Finish** Aluminium | Rubbed Bronze | Polished Brass | Black | White | Custom

**Cutout** ø33mm

**Ceiling Thickness** 3 - 25mm

**Minimum Ceiling Void** 20mm above top of luminaire module

**System Power** 1.6W

**Module Output** 140lm      **Absolute Output** 125lm

**LOR** 89%

**Glare Cut Off** 15°

**Glare Comfort Cut Off** 45°

**Colour Temperature** 3000K | 2700K | \*

**CRI** Ra: 95      **TM-30** Rf: 93 Rg: 99

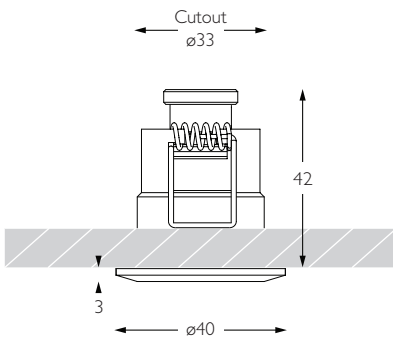
**Optic** 12°

**Gear Type** Dimmable options available

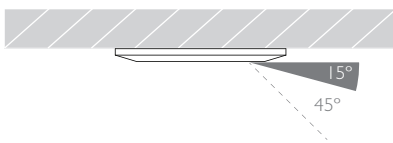
**Gear Location** Remote - No access through cutout for dimmable drivers

**Weight** AL BK WH - 51g | RB PB - 99g

\* Please enquire as to the availability of non-standard Colour Temperatures



Glare Diagram

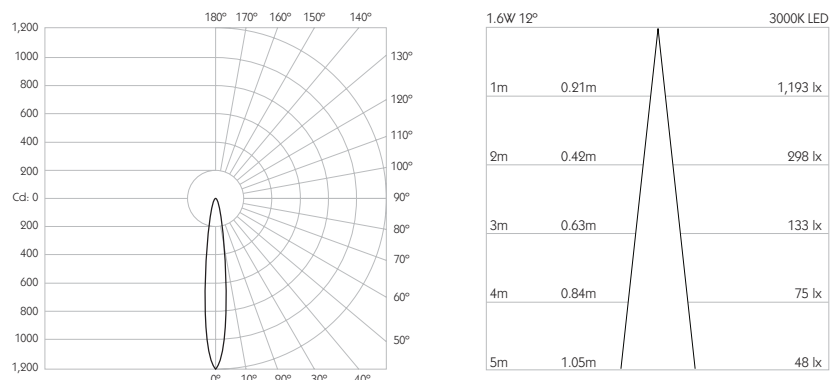


Cut Off: 15°  
Glare Comfort Cut Off: 45°

IP 20	95 CRI	CE	ETL US
LED	1.6W	3.2V 500mA	PART L
33	0.5m		

Minimo Fixed Circular is a miniature recessed LED luminaire providing high performance accent lighting from a compact source. With 95CRI, Minimo Fixed is perfect for use in colour-critical applications. Tool-less, site changeable optics allow flexibility in varying environments. Minimo Fixed is machined from aerospace grade 6063-T6 aluminium or brass, is available as standard in white, black, polished brass, rubbed bronze and brushed aluminium finishes, and delivers a lumen package of 140lm at 1.6W.

Product Photometry independently tested in accordance with LM-79



Circular Bezel

RC-601-AL-XX9512	
RC-601-RB-XX9512	
RC-601-PB-XX9512	
RC-601-BK-XX9512	
RC-601-WH-XX9512	

For 3000K Substitute XX with 30 | For 2700K Substitute XX with 27

PRECISION  
LIGHTING

SALES@PRECISIONLIGHTING.CO.UK  
WWW.PRECISIONLIGHTING.CO.UK

42 RIVERSIDE ROAD  
LONDON SW17 0BA  
t. +44 (0) 20 8947 6616  
f. +44 (0) 20 8286 6626

FLOOD



**Category** Interior use only IP20

**Material** Machined Aluminium | Machined Brass

**Finish** Aluminium | Rubbed Bronze | Polished Brass | Black | White | Custom

**Cutout** ø33mm

**Ceiling Thickness** 3 - 25mm

**Minimum Ceiling Void** 20mm above top of luminaire module

**System Power** 1.6W

**Module Output** 140lm      **Absolute Output** 114lm

**LOR** 81%

**Glare Cut Off** 15°

**Glare Comfort Cut Off** 45°

**Colour Temperature** 3000K | 2700K | \*

**CRI** Ra: 95      **TM-30** Rf: 93 Rg: 99

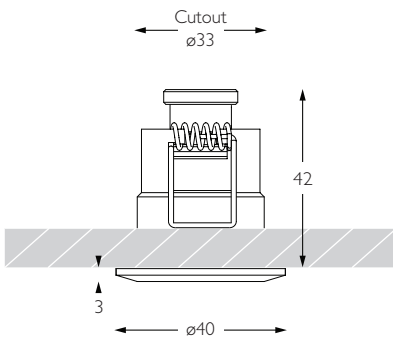
**Optic** 30°

**Gear Type** Dimmable options available

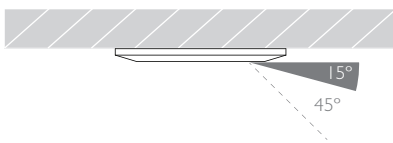
**Gear Location** Remote - No access through cutout for dimmable drivers

**Weight** AL BK WH - 51g | RB PB - 99g

\* Please enquire as to the availability of non-standard Colour Temperatures

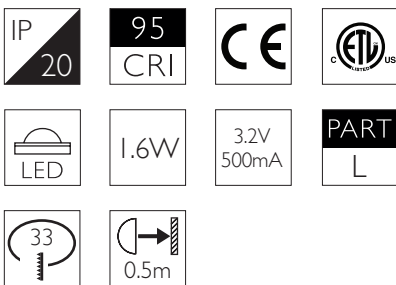


Glare Diagram



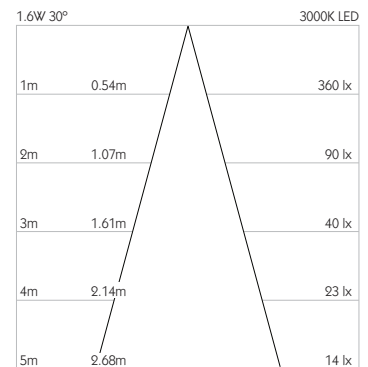
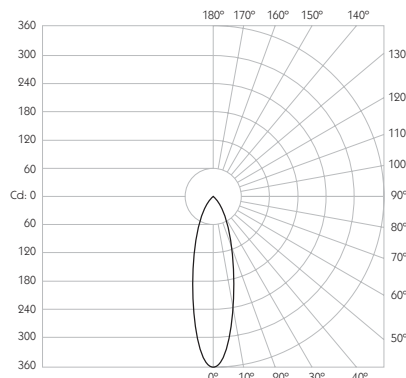
Cut Off: 15°

Glare Comfort Cut Off: 45°

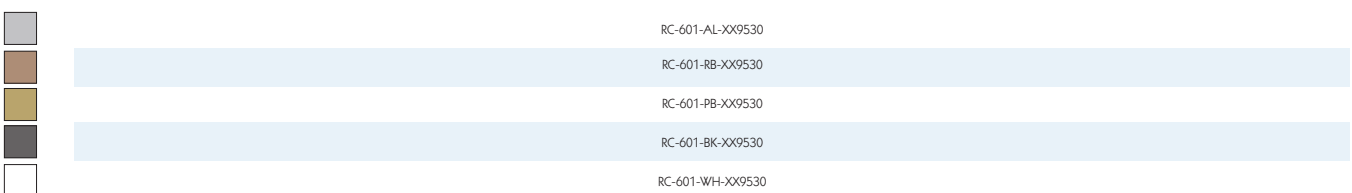


Minimo Fixed Circular is a miniature recessed LED luminaire providing high performance accent lighting from a compact source. With 95CRI, Minimo Fixed is perfect for use in colour-critical applications. Tool-less, site changeable optics allow flexibility in varying environments. Minimo Fixed is machined from aerospace grade 6063-T6 aluminium or brass, is available as standard in white, black, polished brass, rubbed bronze and brushed aluminium finishes, and delivers a lumen package of 140lm at 1.6W.

Product Photometry independently tested in accordance with LM-79



Circular Bezel



For 3000K Substitute XX with 30 | For 2700K Substitute XX with 27

WIDE FLOOD



**Category** Interior use only IP20

**Material** Machined Aluminium | Machined Brass

**Finish** Aluminium | Rubbed Bronze | Polished Brass | Black | White | Custom

**Cutout** ø33mm

**Ceiling Thickness** 3 - 25mm

**Minimum Ceiling Void** 20mm above top of luminaire module

**System Power** 1.6W

**Module Output** 140lm      **Absolute Output** 125lm

**LOR** 89%

**Glare Cut Off** 15°

**Glare Comfort Cut Off** 45°

**Colour Temperature** 3000K | 2700K | \*

**CRI** Ra: 95      **TM-30** Rf: 93 Rg: 99

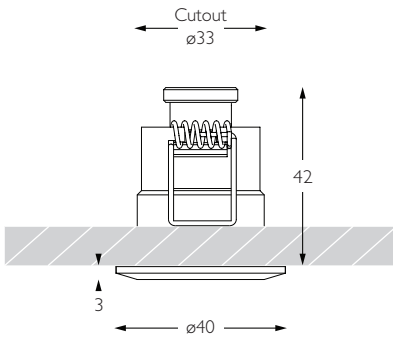
**Optic** 60°

**Gear Type** Dimmable options available

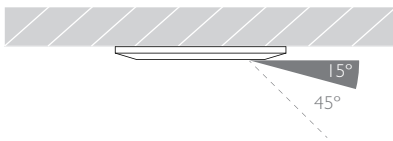
**Gear Location** Remote - No access through cutout for dimmable drivers

**Weight** AL BK WH - 51g | RB PB - 99g

\* Please enquire as to the availability of non-standard Colour Temperatures



Glare Diagram



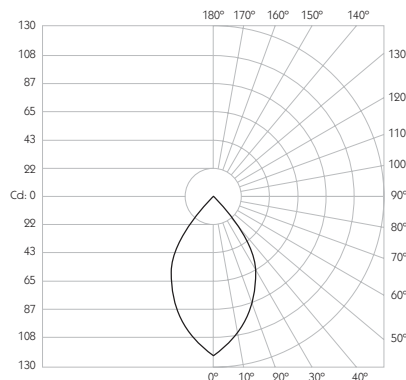
Cut Off: 15°

Glare Comfort Cut Off: 45°

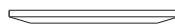
IP 20	95 CRI	CE	ETL US
LED	1.6W	3.2V 500mA	PART L
33	0.5m		

Minimo Fixed Circular is a miniature recessed LED luminaire providing high performance accent lighting from a compact source. With 95CRI, Minimo Fixed is perfect for use in colour-critical applications. Tool-less, site changeable optics allow flexibility in varying environments. Minimo Fixed is machined from aerospace grade 6063-T6 aluminium or brass, is available as standard in white, black, polished brass, rubbed bronze and brushed aluminium finishes, and delivers a lumen package of 140lm at 1.6W.

Product Photometry independently tested in accordance with LM-79



Distance (m)	Beam Diameter (m)	Illuminance (lx)
1m	1.15m	125 lx
2m	2.31m	31 lx
3m	3.46m	14 lx
4m	4.62m	8 lx
5m	5.77m	5 lx



Circular Bezel

Grey	RC-601-AL-XX9560
Brown	RC-601-RB-XX9560
Gold	RC-601-PB-XX9560
Black	RC-601-BK-XX9560
White	RC-601-WH-XX9560

For 3000K Substitute XX with 30 | For 2700K Substitute XX with 27