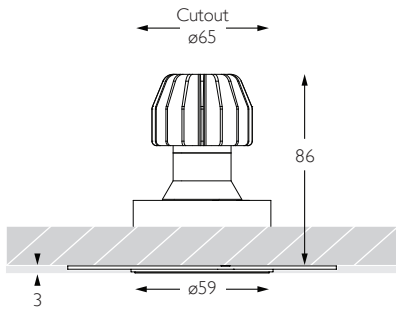


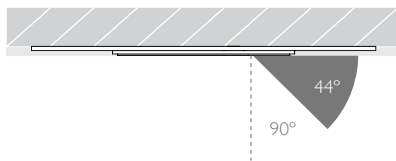
# MINIMO 11 | FIXED

Luminaires  
spec sheet RCT-606

ULTRA NARROW SPOT | TRIMLESS | PINHOLE APERTURE

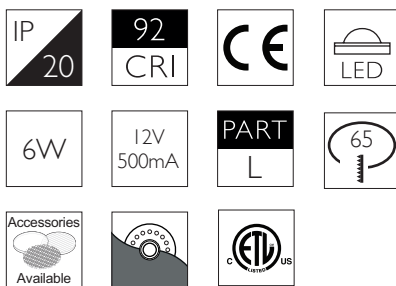


Glare Diagram



Cut Off: 44°

Glare Comfort Cut Off: 90°



## Technical Description

Minimo 11 Fixed is a recessed LED luminaire providing high performance accent lighting from a compact source with minimal glare. Minimo 11 is perfect for use in colour-critical applications with 92CRI delivered from a single source LED module and available in two colour temperatures as standard. Tool-less, site changeable beam angles allow flexibility in varying environments. Machined from 6063-T6 aluminium, Minimo 11 Fixed Trimless features a 33mm pinhole aperture for a minimal and extremely low glare solution. Minimo 11 Fixed delivers a lumen package of 513lm at 6W.

## Mechanical

**Category** Interior use only IP20

**Material** Machined Aluminium

**Configuration** Trimless | Pinhole Aperture

**Cutout** ø65mm

**Ceiling Thickness** 5mm min.

**Ceiling Void** 20mm above module

**Weight** 268g

## Finishes

**Finishes** Black | White \*

\* Please enquire as to the availability of non-standard finishes

## Optical

**System Power** 6W

**Module Output** 513lm\*\*

**Absolute Output** 506lm\*\*

**LOR** 99%

**Glare Cut Off** 44°

**Glare Comfort Cut Off** 90°

\*\* Photometry shown is correct for 3000K module. Please enquire for 2700K module output.

**Colour Temperature** 2700K | 3000K

**CRI** 92 Typ

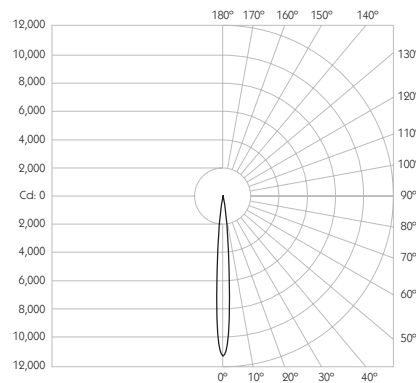
**TM-30** Rf: 90 Rg: 99

**Beam Angle** 9°

**Gear Type** Dimmable Options Available

**Gear Location** Remote

Product Photometry independently tested in accordance with LM-79



Distance	Beam Diameter	Illuminance (lx)
1m	0.16m	11,214 lx
2m	0.31m	2,804 lx
3m	0.47m	1,246 lx
4m	0.63m	701 lx
5m	0.79m	449 lx

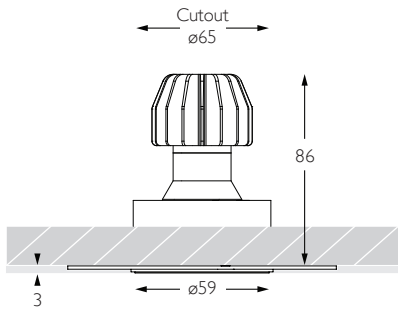
Luminaire Code	Finish	CCT	CRI	Beam Angle
RCT-606	<b>BK</b> Black <b>WH</b> White	<b>27</b> 2700K <b>30</b> 3000K	<b>92</b> 92 CRI	<b>09</b> 9° Ultra Narrow Spot

RCT-606	-	-	92	09
---------	---	---	----	----

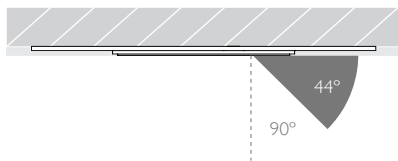
# MINIMO 11 | FIXED

Luminaires  
spec sheet RCT-606

NARROW SPOT | TRIMLESS | PINHOLE APERTURE

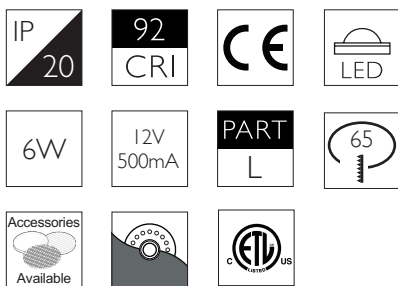


Glare Diagram



Cut Off: 44°

Glare Comfort Cut Off: 90°



## Technical Description

Minimo 11 Fixed is a recessed LED luminaire providing high performance accent lighting from a compact source with minimal glare. Minimo 11 is perfect for use in colour-critical applications with 92CRI delivered from a single source LED module and available in two colour temperatures as standard. Tool-less, site changeable beam angles allow flexibility in varying environments. Machined from 6063-T6 aluminium, Minimo 11 Fixed Trimless features a 33mm pinhole aperture for a minimal and extremely low glare solution. Minimo 11 Fixed delivers a lumen package of 513lm at 6W.

## Mechanical

**Category** Interior use only IP20  
**Material** Machined Aluminium  
**Configuration** Trimless | Pinhole Aperture  
**Cutout** ø65mm  
**Ceiling Thickness** 5mm min.  
**Ceiling Void** 20mm above module  
**Weight** 268g

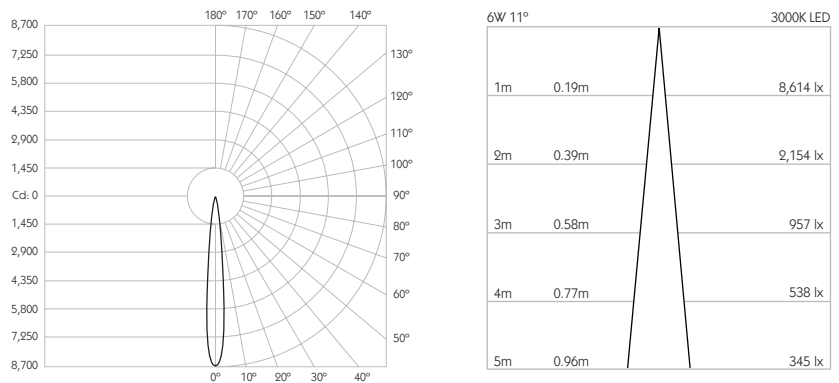
## Finishes

**Finishes** Black | White \*  
 \* Please enquire as to the availability of non-standard Finishes

## Optical

**System Power** 6W  
**Module Output** 513lm\*\*  
**Absolute Output** 504lm\*\*  
**LOR** 98%  
**Glare Cut Off** 44°  
**Glare Comfort Cut Off** 90°  
**Colour Temperature** 2700K | 3000K  
**CRI** 92 Typ  
**TM-30** Rf: 90 Rg: 99  
**Beam Angle** 11°  
**Gear Type** Dimmable Options Available  
**Gear Location** Remote  
 \*\* Photometry shown is correct for 3000K module. Please enquire for 2700K module output.

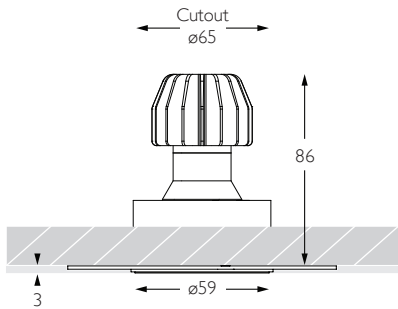
Product Photometry independently tested in accordance with LM-79



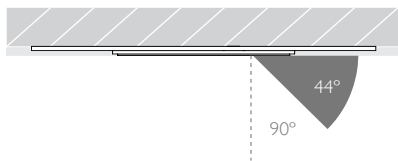
Luminaire Code	Finish	CCT	CRI	Beam Angle
RCT-606	<b>BK</b> Black <b>WH</b> White	<b>27</b> 2700K <b>30</b> 3000K	<b>92</b> 92 CRI	<b>11</b> 11° Narrow Spot

RCT-606	-	-	92	11
---------	---	---	----	----

SPOT | TRIMLESS | PINHOLE APERTURE

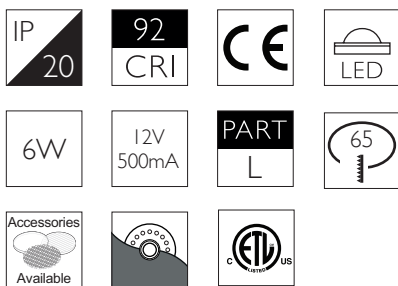


Glare Diagram



Cut Off: 44°

Glare Comfort Cut Off: 90°



## Technical Description

Minimo 11 Fixed is a recessed LED luminaire providing high performance accent lighting from a compact source with minimal glare. Minimo 11 is perfect for use in colour-critical applications with 92CRI delivered from a single source LED module and available in two colour temperatures as standard. Tool-less, site changeable beam angles allow flexibility in varying environments. Machined from 6063-T6 aluminium, Minimo 11 Fixed Trimless features a 33mm pinhole aperture for a minimal and extremely low glare solution. Minimo 11 Fixed delivers a lumen package of 513lm at 6W.

## Mechanical

**Category** Interior use only IP20

**Material** Machined Aluminium

**Configuration** Trimless | Pinhole Aperture

**Cutout** ø65mm

**Ceiling Thickness** 5mm min.

**Ceiling Void** 20mm above module

**Weight** 268g

## Finishes

**Finishes** Black | White \*

\* Please enquire as to the availability of non-standard Finishes

## Optical

**System Power** 6W

**Module Output** 513lm\*\*

**Absolute Output** 506lm\*\*

**LOR** 99%

**Glare Cut Off** 44°

**Glare Comfort Cut Off** 90°

\*\* Photometry shown is correct for 3000K module. Please enquire for 2700K module output.

**Colour Temperature** 2700K | 3000K

**CRI** 92 Typ

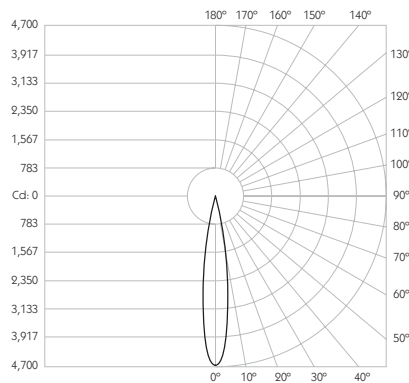
**TM-30** Rf: 90 Rg: 99

**Beam Angle** 15°

**Gear Type** Dimmable Options Available

**Gear Location** Remote

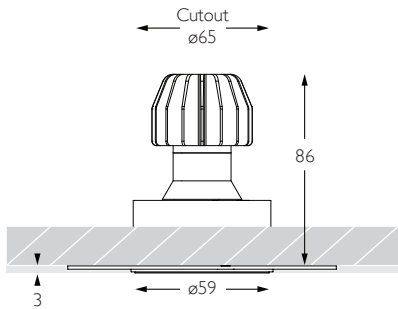
Product Photometry independently tested in accordance with LM-79



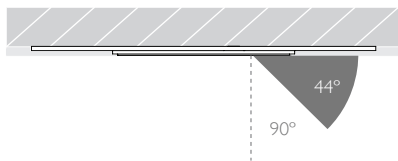
Distance	Beam Diameter	Illuminance (lx)
1m	0.26m	4,666 lx
2m	0.53m	1,167 lx
3m	0.79m	518 lx
4m	1.05m	292 lx
5m	1.32m	187 lx

Luminaire Code	Finish	CCT	CRI	Beam Angle
RCT-606	<b>BK</b> Black <b>WH</b> White	<b>27</b> 2700K <b>30</b> 3000K	<b>92</b> 92 CRI	<b>15</b> 15° Spot

RCT-606	-	-	92	15
---------	---	---	----	----

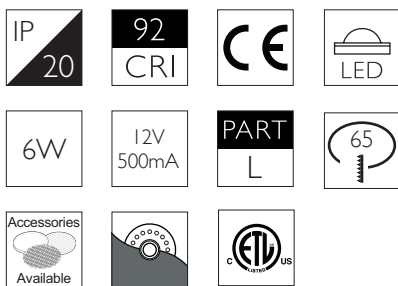


Glare Diagram



Cut Off: 44°

Glare Comfort Cut Off: 90°



## Technical Description

Minimo 11 Fixed is a recessed LED luminaire providing high performance accent lighting from a compact source with minimal glare. Minimo 11 is perfect for use in colour-critical applications with 92CRI delivered from a single source LED module and available in two colour temperatures as standard. Tool-less, site changeable beam angles allow flexibility in varying environments. Machined from 6063-T6 aluminium, Minimo 11 Fixed Trimless features a 33mm pinhole aperture for a minimal and extremely low glare solution. Minimo 11 Fixed delivers a lumen package of 513lm at 6W.

## Mechanical

**Category** Interior use only IP20

**Material** Machined Aluminium

**Configuration** Trimless | Pinhole Aperture

**Cutout** ø65mm

**Ceiling Thickness** 5mm min.

**Ceiling Void** 20mm above module

**Weight** 268g

## Finishes

**Finishes** Black | White \*

\* Please enquire as to the availability of non-standard Finishes

## Optical

**System Power** 6W

**Module Output** 513lm\*\*

**Absolute Output** 439lm\*\*

**LOR** 86%

**Glare Cut Off** 44°

**Glare Comfort Cut Off** 90°

\*\* Photometry shown is correct for 3000K module. Please enquire for 2700K module output.

**Colour Temperature** 2700K | 3000K

**CRI** 92 Typ

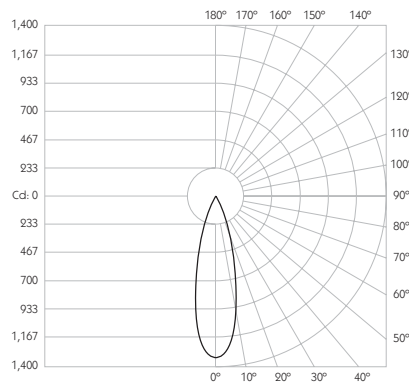
**TM-30** Rf: 90 Rg: 99

**Beam Angle** 25°

**Gear Type** Dimmable Options Available

**Gear Location** Remote

Product Photometry independently tested in accordance with LM-79



Distance	Beam Diameter	Footcandle (lx)
1m	0.44m	1,416 lx
2m	0.89m	354 lx
3m	1.33m	157 lx
4m	1.77m	89 lx
5m	2.22m	57 lx

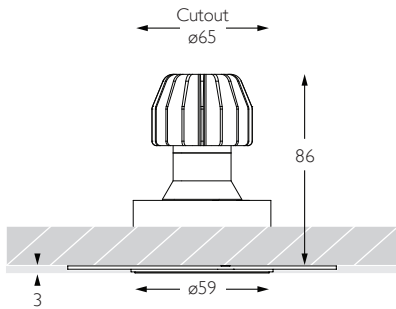
Luminaire Code	Finish	CCT	CRI	Beam Angle
RCT-606	<b>BK</b> Black <b>WH</b> White	<b>27</b> 2700K <b>30</b> 3000K	<b>92</b> 92 CRI	<b>25</b> 25° Flood

RCT-606	-	-	92	25
---------	---	---	----	----

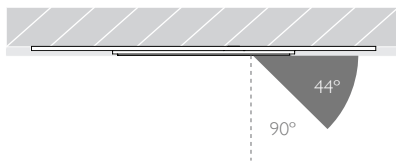
# MINIMO 11 | FIXED

Luminaires  
spec sheet RCT-606

WIDE FLOOD | TRIMLESS | PINHOLE APERTURE

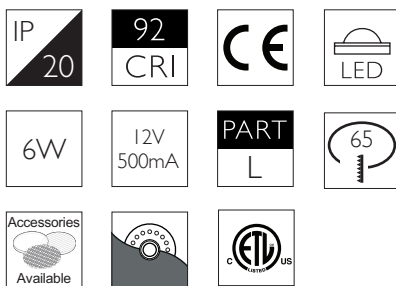


Glare Diagram



Cut Off: 44°

Glare Comfort Cut Off: 90°



## Technical Description

Minimo 11 Fixed is a recessed LED luminaire providing high performance accent lighting from a compact source with minimal glare. Minimo 11 is perfect for use in colour-critical applications with 92CRI delivered from a single source LED module and available in two colour temperatures as standard. Tool-less, site changeable beam angles allow flexibility in varying environments. Machined from 6063-T6 aluminium, Minimo 11 Fixed Trimless features a 33mm pinhole aperture for a minimal and extremely low glare solution. Minimo 11 Fixed delivers a lumen package of 513lm at 6W.

## Mechanical

**Category** Interior use only IP20

**Material** Machined Aluminium

**Configuration** Trimless | Pinhole Aperture

**Cutout** ø65mm

**Ceiling Thickness** 5mm min.

**Ceiling Void** 20mm above module

**Weight** 268g

## Finishes

**Finishes** Black | White \*

\* Please enquire as to the availability of non-standard Finishes

## Optical

**System Power** 6W

**Module Output** 513lm\*\*

**Absolute Output** 420lm\*\*

**LOR** 82%

**Glare Cut Off** 44°

**Glare Comfort Cut Off** 90°

\*\* Photometry shown is correct for 3000K module. Please enquire for 2700K module output.

**Colour Temperature** 2700K | 3000K

**CRI** 92 Typ

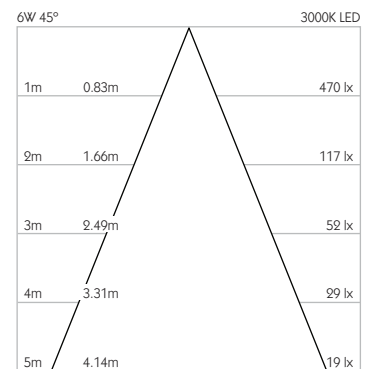
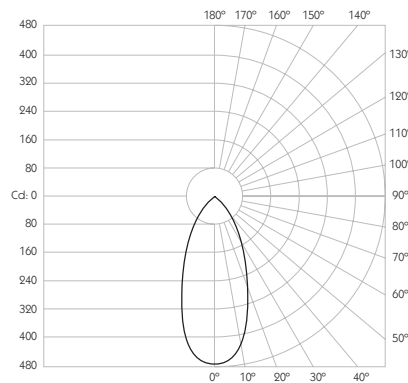
**TM-30** Rf: 90 Rg: 99

**Beam Angle** 45°

**Gear Type** Dimmable Options Available

**Gear Location** Remote

Product Photometry independently tested in accordance with LM-79



Luminaire Code	Finish	CCT	CRI	Beam Angle
RCT-606	<b>BK</b> Black <b>WH</b> White	<b>27</b> 2700K <b>30</b> 3000K	<b>92</b> 92 CRI	<b>45</b> 45° Wide Flood

RCT-606	-	-	92	45
---------	---	---	----	----

PRECISION  
LIGHTING

SALES@PRECISIONLIGHTING.CO.UK  
WWW.PRECISIONLIGHTING.CO.UK

42 RIVERSIDE ROAD  
LONDON SW17 0BA  
t. +44 (0) 20 8947 6616  
f. +44 (0) 20 8286 6626