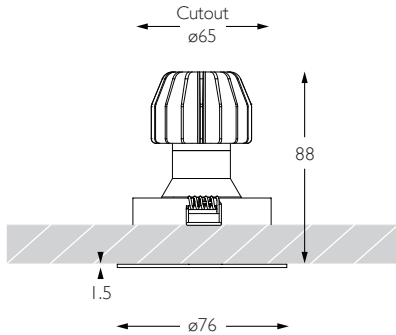


MINIMO 11 | IP54 ADJUSTABLE

Luminaires
spec sheet RCD-625

ULTRA NARROW SPOT | FLAT BEZEL

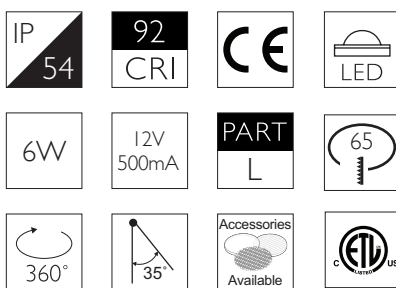


Glare Diagram



Cut Off: 36°

Glare Comfort Cut Off: 80°



Technical Description

Minimo 11 Adjustable is an IP54 recessed LED luminaire offering full adjustability with 360° pan and 35° tilt without breaking the ceiling line. Minimo 11 is perfect for use in colour-critical applications with 92CRI delivered from a single source LED module and available in two colour temperatures as standard. Tool-less, site changeable beam angles allow flexibility in varying environments. Machined from aerospace grade 6063-T6 aluminium or brass, Minimo 11 Adjustable features a flat bezel with a choice of six finishes and an interchangeable decorative aperture available in three finishes for complete aesthetic integration. Minimo 11 Adjustable delivers a lumen package of 513lm at 6W.

Mechanical

Category Interior use only IP54

Material Machined Aluminium | Brass

Configuration Flat | Chamfered Aperture

Cutout \varnothing 65mm

Ceiling Thickness 3 - 25mm

Ceiling Void 20mm above module

Pan 360° **Tilt** 35°

Weight AL BK WH - 223g | RB PB CH - 245g

Finishes

Bezel Finishes Aluminium | Black | White | Rubbed Bronze | Polished Brass | Chrome | *

Aperture Finishes Black | White | Satin Brass | *

* Please enquire as to the availability of non-standard Finishes

Optical

System Power 6W

Module Output 513lm**

Absolute Output 506lm**

LOR 99%

Glare Cut Off 36°

Glare Comfort Cut Off 80°

** Photometry shown is correct for 3000K module. Please enquire for 2700K module output.

Colour Temperature 2700K | 3000K

CRI 92 Typ

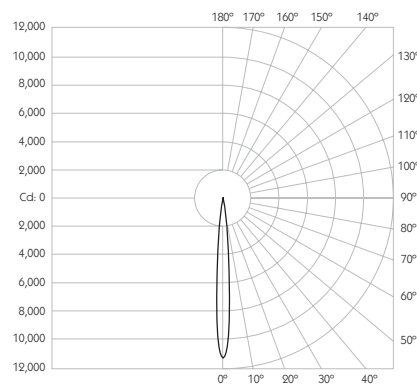
TM-30 Rf: 90 Rg: 99

Beam Angle 9°

Gear Type Dimmable Options Available

Gear Location Remote

Product Photometry independently tested in accordance with LM-79



Distance	Beam Diameter	Illuminance (lx)
1m	0.16m	11,214 lx
2m	0.31m	2,804 lx
3m	0.47m	1,246 lx
4m	0.63m	701 lx
5m	0.79m	449 lx

Luminaire Code

Bezel Finish

Aperture Finish

CCT

CRI

Beam Angle

RCD-625

AL	Brushed Aluminium
WH	White
BK	Black
RB	Rubbed Bronze
PB	Polished Brass
CH	Polished Chrome

BK	Black
WH	White
SB	Satin Brass

27	2700K
30	3000K

92 92 CRI

09 9° Ultra Narrow Spot

RCD-625

92

09

PRECISION
LIGHTING

SALES@PRECISIONLIGHTING.CO.UK

WWW.PRECISIONLIGHTING.CO.UK

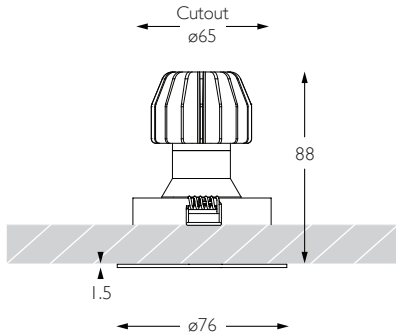
42 RIVERSIDE ROAD
LONDON SW17 0BA

t. +44 (0) 20 8947 6616
f. +44 (0) 20 8286 6626

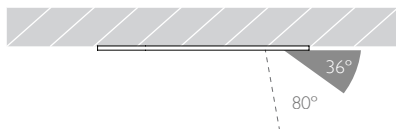
MINIMO 11 | IP54 ADJUSTABLE

Luminaires
spec sheet RCD-625

NARROW SPOT | FLAT BEZEL

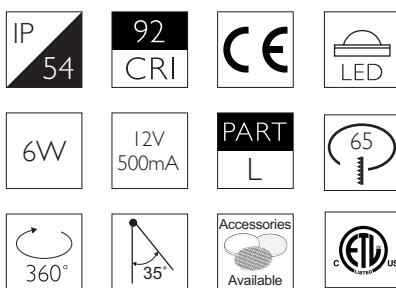


Glare Diagram



Cut Off: 36°

Glare Comfort Cut Off: 80°



Technical Description

Minimo 11 Adjustable is an IP54 recessed LED luminaire offering full adjustability with 360° pan and 35° tilt without breaking the ceiling line. Minimo 11 is perfect for use in colour-critical applications with 92CRI delivered from a single source LED module and available in two colour temperatures as standard. Tool-less, site changeable beam angles allow flexibility in varying environments. Machined from aerospace grade 6063-T6 aluminium or brass, Minimo 11 Adjustable features a flat bezel with a choice of six finishes and an interchangeable decorative aperture available in three finishes for complete aesthetic integration. Minimo 11 Adjustable delivers a lumen package of 513lm at 6W.

Mechanical

Category Interior use only IP54
Material Machined Aluminium | Brass
Configuration Flat | Chamfered Aperture
Cutout ø65mm
Ceiling Thickness 3 - 25mm
Ceiling Void 20mm above module
Pan 360° **Tilt** 35°
Weight AL BK WH - 223g | RB PB CH - 245g

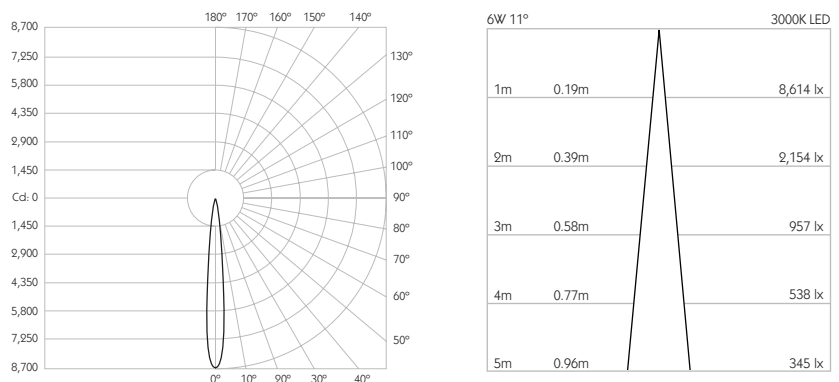
Finishes

Bezel Finishes Aluminium | Black | White | Rubbed Bronze | Polished Brass | Chrome | *
Aperture Finishes Black | White | Satin Brass | *
 * Please enquire as to the availability of non-standard Finishes

Optical

System Power 6W
Module Output 513lm**
Absolute Output 504lm**
LOR 98%
Glare Cut Off 36°
Glare Comfort Cut Off 80°
Colour Temperature 2700K | 3000K
CRI 92 Typ
TM-30 Rf: 90 Rg: 99
Beam Angle 11°
Gear Type Dimmable Options Available
Gear Location Remote
 ** Photometry shown is correct for 3000K module. Please enquire for 2700K module output.

Product Photometry independently tested in accordance with LM-79



Luminaire Code	Bezel Finish	Aperture Finish	CCT	CRI	Beam Angle																										
RCD-625	<table border="1"> <tr><td>AL</td><td>Brushed Aluminium</td></tr> <tr><td>WH</td><td>White</td></tr> <tr><td>BK</td><td>Black</td></tr> <tr><td>RB</td><td>Rubbed Bronze</td></tr> <tr><td>PB</td><td>Polished Brass</td></tr> <tr><td>CH</td><td>Polished Chrome</td></tr> </table>	AL	Brushed Aluminium	WH	White	BK	Black	RB	Rubbed Bronze	PB	Polished Brass	CH	Polished Chrome	<table border="1"> <tr><td>BK</td><td>Black</td></tr> <tr><td>WH</td><td>White</td></tr> <tr><td>SB</td><td>Satin Brass</td></tr> </table>	BK	Black	WH	White	SB	Satin Brass	<table border="1"> <tr><td>27</td><td>2700K</td></tr> <tr><td>30</td><td>3000K</td></tr> </table>	27	2700K	30	3000K	<table border="1"> <tr><td>92</td><td>92 CRI</td></tr> </table>	92	92 CRI	<table border="1"> <tr><td>11</td><td>11° Narrow Spot</td></tr> </table>	11	11° Narrow Spot
AL	Brushed Aluminium																														
WH	White																														
BK	Black																														
RB	Rubbed Bronze																														
PB	Polished Brass																														
CH	Polished Chrome																														
BK	Black																														
WH	White																														
SB	Satin Brass																														
27	2700K																														
30	3000K																														
92	92 CRI																														
11	11° Narrow Spot																														
RCD-625	-	-	-	92	11																										

PRECISION
LIGHTING

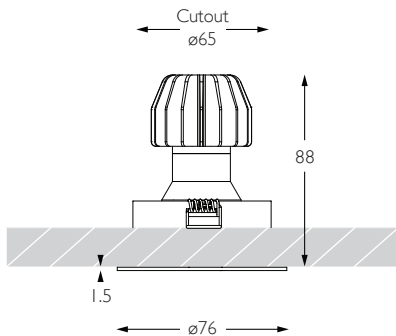
SALES@PRECISIONLIGHTING.CO.UK
WWW.PRECISIONLIGHTING.CO.UK

42 RIVERSIDE ROAD
LONDON SW17 0BA
t. +44 (0) 20 8947 6616
f. +44 (0) 20 8286 6626

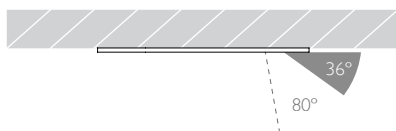
MINIMO 11 | IP54 ADJUSTABLE

Luminaires
spec sheet RCD-625

SPOT | FLAT BEZEL

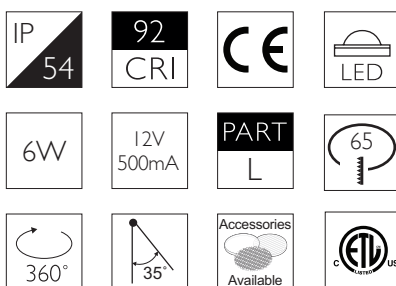


Glare Diagram



Cut Off: 36°

Glare Comfort Cut Off: 80°



Technical Description

Minimo 11 Adjustable is an IP54 recessed LED luminaire offering full adjustability with 360° pan and 35° tilt without breaking the ceiling line. Minimo 11 is perfect for use in colour-critical applications with 92CRI delivered from a single source LED module and available in two colour temperatures as standard. Tool-less, site changeable beam angles allow flexibility in varying environments. Machined from aerospace grade 6063-T6 aluminium or brass, Minimo 11 Adjustable features a flat bezel with a choice of six finishes and an interchangeable decorative aperture available in three finishes for complete aesthetic integration. Minimo 11 Adjustable delivers a lumen package of 513lm at 6W.

Mechanical

Category Interior use only IP54

Material Machined Aluminium | Brass

Configuration Flat | Chamfered Aperture

Cutout ø65mm

Ceiling Thickness 3 - 25mm

Ceiling Void 20mm above module

Pan 360° **Tilt** 35°

Weight AL BK WH - 223g | RB PB CH - 245g

Finishes

Bezel Finishes Aluminium | Black | White | Rubbed Bronze | Polished Brass | Chrome | *

Aperture Finishes Black | White | Satin Brass | *

* Please enquire as to the availability of non-standard Finishes

Optical

System Power 6W

Module Output 513lm**

Absolute Output 506lm**

LOR 99%

Glare Cut Off 36°

Glare Comfort Cut Off 80°

** Photometry shown is correct for 3000K module. Please enquire for 2700K module output.

Colour Temperature 2700K | 3000K

CRI 92 Typ

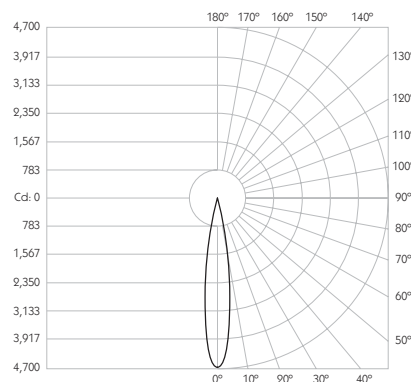
TM-30 Rf: 90 Rg: 99

Beam Angle 15°

Gear Type Dimmable Options Available

Gear Location Remote

Product Photometry independently tested in accordance with LM-79



Distance	Beam Diameter	Beam Angle	Footcandle (lx)
1m	0.26m	15°	4,666 lx
2m	0.53m	15°	1,167 lx
3m	0.79m	15°	518 lx
4m	1.05m	15°	292 lx
5m	1.32m	15°	187 lx

Luminaire Code

RCD-625

Bezel Finish

AL	Brushed Aluminium
WH	White
BK	Black
RB	Rubbed Bronze
PB	Polished Brass
CH	Polished Chrome

Aperture Finish

BK	Black
WH	White
SB	Satin Brass

CCT

27	2700K
30	3000K

CRI

92 92 CRI

Beam Angle

15 15° Spot

RCD-625

92

15

PRECISION
LIGHTING

SALES@PRECISIONLIGHTING.CO.UK

WWW.PRECISIONLIGHTING.CO.UK

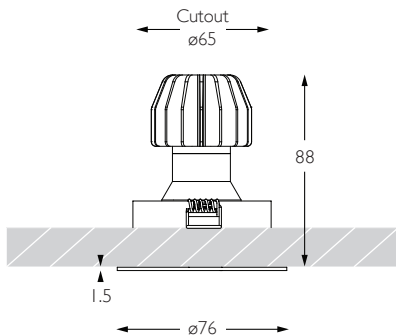
42 RIVERSIDE ROAD
LONDON SW17 0BA

t. +44 (0) 20 8947 6616
f. +44 (0) 20 8286 6626

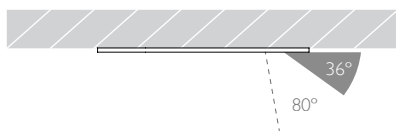
MINIMO 11 | IP54 ADJUSTABLE

Luminaires
spec sheet RCD-625

FLOOD | FLAT BEZEL

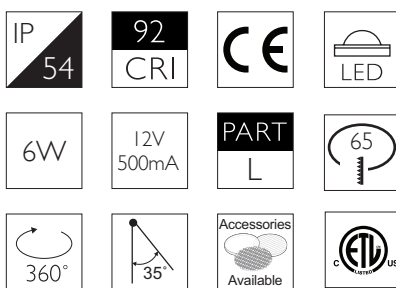


Glare Diagram



Cut Off: 36°

Glare Comfort Cut Off: 80°



Technical Description

Minimo 11 Adjustable is an IP54 recessed LED luminaire offering full adjustability with 360° pan and 35° tilt without breaking the ceiling line. Minimo 11 is perfect for use in colour-critical applications with 92CRI delivered from a single source LED module and available in two colour temperatures as standard. Tool-less, site changeable beam angles allow flexibility in varying environments. Machined from aerospace grade 6063-T6 aluminium or brass, Minimo 11 Adjustable features a flat bezel with a choice of six finishes and an interchangeable decorative aperture available in three finishes for complete aesthetic integration. Minimo 11 Adjustable delivers a lumen package of 513lm at 6W.

Mechanical

Category Interior use only IP54

Material Machined Aluminium | Brass

Configuration Flat | Chamfered Aperture

Cutout ø65mm

Ceiling Thickness 3 - 25mm

Ceiling Void 20mm above module

Pan 360° **Tilt** 35°

Weight AL BK WH - 223g | RB PB CH - 245g

Finishes

Bezel Finishes Aluminium | Black | White | Rubbed Bronze | Polished Brass | Chrome | *

Aperture Finishes Black | White | Satin Brass | *

* Please enquire as to the availability of non-standard Finishes

Optical

System Power 6W

Module Output 513lm**

Absolute Output 439lm**

LOR 86%

Glare Cut Off 36°

Glare Comfort Cut Off 80°

** Photometry shown is correct for 3000K module. Please enquire for 2700K module output.

Colour Temperature 2700K | 3000K

CRI 92 Typ

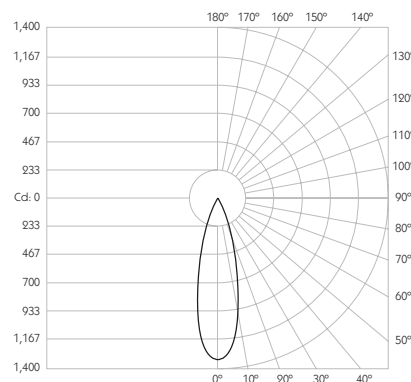
TM-30 Rf: 90 Rg: 99

Beam Angle 25°

Gear Type Dimmable Options Available

Gear Location Remote

Product Photometry independently tested in accordance with LM-79



Distance	Beam Diameter	3000K LED Illuminance (lx)
1m	0.44m	1,416 lx
2m	0.89m	354 lx
3m	1.33m	157 lx
4m	1.77m	89 lx
5m	2.22m	57 lx

Luminaire Code

Bezel Finish

Aperture Finish

CCT

CRI

Beam Angle

RCD-625

AL	Brushed Aluminium
WH	White
BK	Black
RB	Rubbed Bronze
PB	Polished Brass
CH	Polished Chrome

BK	Black
WH	White
SB	Satin Brass

27	2700K
30	3000K

92

92 CRI

25

25° Flood

RCD-625

92

25

PRECISION
LIGHTING

SALES@PRECISIONLIGHTING.CO.UK

WWW.PRECISIONLIGHTING.CO.UK

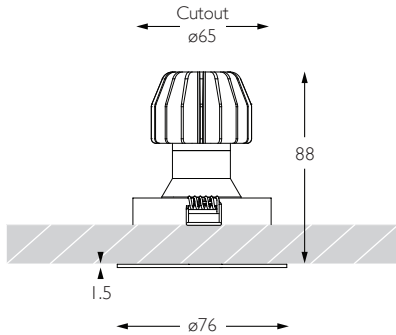
42 RIVERSIDE ROAD
LONDON SW17 0BA

t. +44 (0) 20 8947 6616
f. +44 (0) 20 8286 6626

MINIMO 11 | IP54 ADJUSTABLE

Luminaires
spec sheet RCD-625

WIDE FLOOD | FLAT BEZEL

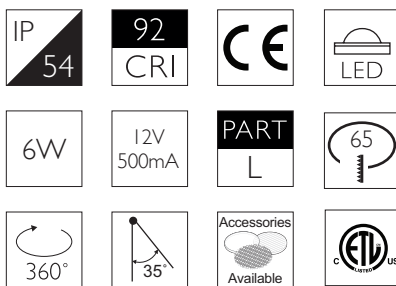


Glare Diagram



Cut Off: 36°

Glare Comfort Cut Off: 80°



Technical Description

Minimo 11 Adjustable is an IP54 recessed LED luminaire offering full adjustability with 360° pan and 35° tilt without breaking the ceiling line. Minimo 11 is perfect for use in colour-critical applications with 92CRI delivered from a single source LED module and available in two colour temperatures as standard. Tool-less, site changeable beam angles allow flexibility in varying environments. Machined from aerospace grade 6063-T6 aluminium or brass, Minimo 11 Adjustable features a flat bezel with a choice of six finishes and an interchangeable decorative aperture available in three finishes for complete aesthetic integration. Minimo 11 Adjustable delivers a lumen package of 513lm at 6W.

Mechanical

Category Interior use only IP54
Material Machined Aluminium | Brass
Configuration Flat | Chamfered Aperture
Cutout ø65mm
Ceiling Thickness 3 - 25mm
Ceiling Void 20mm above module
Pan 360° **Tilt** 35°
Weight AL BK WH - 223g | RB PB CH - 245g

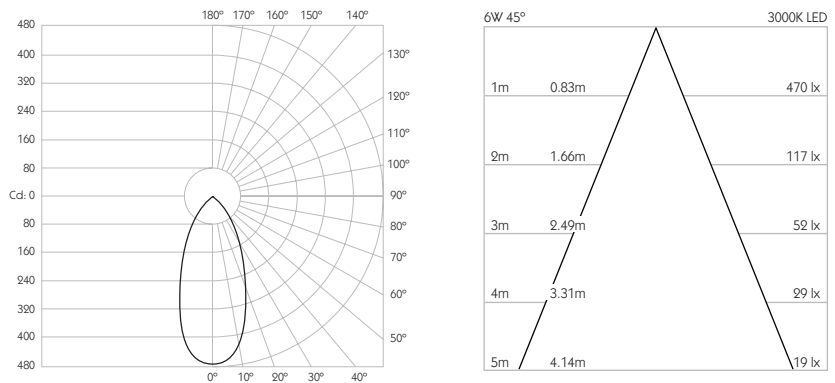
Finishes

Bezel Finishes Aluminium | Black | White | Rubbed Bronze | Polished Brass | Chrome | *
Aperture Finishes Black | White | Satin Brass | *
 * Please enquire as to the availability of non-standard Finishes

Optical

System Power 6W
Module Output 513lm**
Absolute Output 420lm**
LOR 82%
Glare Cut Off 36°
Glare Comfort Cut Off 80°
Colour Temperature 2700K | 3000K
CRI 92 Typ
TM-30 Rf: 90 Rg: 99
Beam Angle 45°
Gear Type Dimmable Options Available
Gear Location Remote
 ** Photometry shown is correct for 3000K module. Please enquire for 2700K module output.

Product Photometry independently tested in accordance with LM-79



Luminaire Code	Bezel Finish	Aperture Finish	CCT	CRI	Beam Angle																										
RCD-625	<table border="1"> <tr><td>AL</td><td>Brushed Aluminium</td></tr> <tr><td>WH</td><td>White</td></tr> <tr><td>BK</td><td>Black</td></tr> <tr><td>RB</td><td>Rubbed Bronze</td></tr> <tr><td>PB</td><td>Polished Brass</td></tr> <tr><td>CH</td><td>Polished Chrome</td></tr> </table>	AL	Brushed Aluminium	WH	White	BK	Black	RB	Rubbed Bronze	PB	Polished Brass	CH	Polished Chrome	<table border="1"> <tr><td>BK</td><td>Black</td></tr> <tr><td>WH</td><td>White</td></tr> <tr><td>SB</td><td>Satin Brass</td></tr> </table>	BK	Black	WH	White	SB	Satin Brass	<table border="1"> <tr><td>27</td><td>2700K</td></tr> <tr><td>30</td><td>3000K</td></tr> </table>	27	2700K	30	3000K	<table border="1"> <tr><td>92</td><td>92 CRI</td></tr> </table>	92	92 CRI	<table border="1"> <tr><td>45</td><td>45° Wide Flood</td></tr> </table>	45	45° Wide Flood
AL	Brushed Aluminium																														
WH	White																														
BK	Black																														
RB	Rubbed Bronze																														
PB	Polished Brass																														
CH	Polished Chrome																														
BK	Black																														
WH	White																														
SB	Satin Brass																														
27	2700K																														
30	3000K																														
92	92 CRI																														
45	45° Wide Flood																														
RCD-625	-	-	-	92	45																										

PRECISION
LIGHTING

SALES@PRECISIONLIGHTING.CO.UK
WWW.PRECISIONLIGHTING.CO.UK

42 RIVERSIDE ROAD
LONDON SW17 0BA
t. +44 (0) 20 8947 6616
f. +44 (0) 20 8286 6626