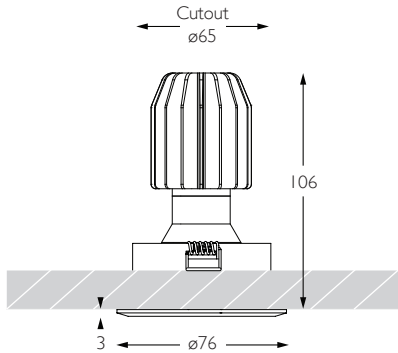


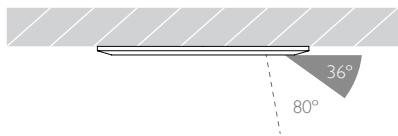
MINIMO 16 | IP54 FIXED

Luminaires
spec sheet RC-633

ULTRA NARROW SPOT | CHAMFERED BEZEL

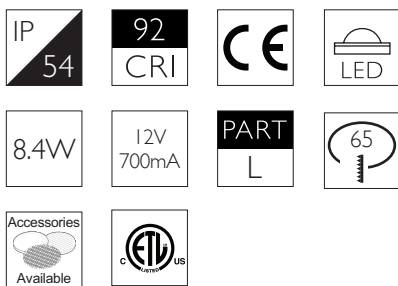


Glare Diagram



Cut Off: 36°

Glare Comfort Cut Off: 80°



Technical Description

Minimo 16 Fixed is an IP54 rated recessed LED luminaire providing high performance accent lighting from a compact source with minimal glare. Minimo 16 is perfect for use in colour-critical applications with 92CRI delivered from a single source LED module and available in two colour temperatures as standard. Tool-less, site changeable beam angles allow flexibility in varying environments. Machined from aerospace grade 6063-T6 aluminium or brass, Minimo 16 Fixed features a chamfered bezel with a choice of six finishes and an interchangeable chamfered aperture available in three finishes for complete aesthetic integration. Minimo 16 Fixed delivers a lumen package of 665lm at 8.4W.

Mechanical

Category Interior use only IP54

Material Machined Aluminium | Brass

Configuration Chamfered Aperture

Cutout \varnothing 65mm

Ceiling Thickness 3 - 25mm

Ceiling Void 20mm above module

Weight AL BK WH - 267g | RB PB CH - 296g

Finishes

Bezel Finishes Aluminium | Black | White | Rubbed Bronze | Polished Brass | Chrome | *

Aperture Finishes Black | White | Satin Brass | *

* Please enquire as to the availability of non-standard Finishes

Optical

System Power 8.4W

Module Output 665lm**

Absolute Output 656lm**

LOR 99%

Glare Cut Off 36°

Glare Comfort Cut Off 80°

** Photometry shown is correct for 3000K module. Please enquire for 2700K module output.

Colour Temperature 2700K | 3000K

CRI 92 Typ

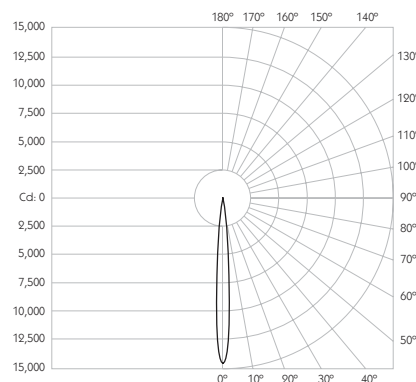
TM-30 Rf: 90 Rg: 99

Beam Angle 9°

Gear Type Dimmable Options Available

Gear Location Remote

Product Photometry independently tested in accordance with LM-79



Distance	Beam Diameter	Illuminance (lx)
1m	0.16m	14,533 lx
2m	0.31m	3,633 lx
3m	0.47m	1,615 lx
4m	0.63m	908 lx
5m	0.79m	581 lx

Luminaire Code

RC-633

Bezel Finish

AL	Brushed Aluminium
WH	White
BK	Black
RB	Rubbed Bronze
PB	Polished Brass
CH	Polished Chrome

Aperture Finish

BK	Black
WH	White
SB	Satin Brass

CCT

27	2700K
30	3000K

CRI

92 92 CRI

Beam Angle

09 9° Ultra Narrow Spot

RC-633

92

09

PRECISION
LIGHTING

SALES@PRECISIONLIGHTING.CO.UK

WWW.PRECISIONLIGHTING.CO.UK

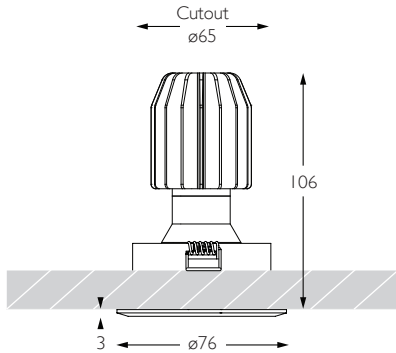
42 RIVERSIDE ROAD
LONDON SW17 0BA

t. +44 (0) 20 8947 6616
f. +44 (0) 20 8286 6626

MINIMO 16 | IP54 FIXED

Luminaires
spec sheet RC-633

NARROW SPOT | CHAMFERED BEZEL

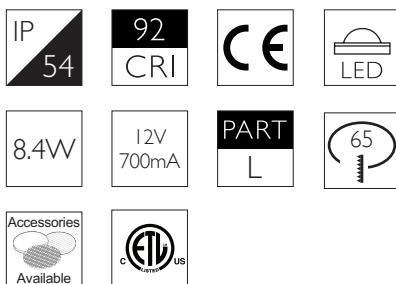


Glare Diagram



Cut Off: 36°

Glare Comfort Cut Off: 80°



Technical Description

Minimo 16 Fixed is an IP54 rated recessed LED luminaire providing high performance accent lighting from a compact source with minimal glare. Minimo 16 is perfect for use in colour-critical applications with 92CRI delivered from a single source LED module and available in two colour temperatures as standard. Tool-less, site changeable beam angles allow flexibility in varying environments. Machined from aerospace grade 6063-T6 aluminium or brass, Minimo 16 Fixed features a chamfered bezel with a choice of six finishes and an interchangeable chamfered aperture available in three finishes for complete aesthetic integration. Minimo 16 Fixed delivers a lumen package of 665lm at 8.4W.

Mechanical

Category Interior use only IP54

Material Machined Aluminium | Brass

Configuration Chamfered Aperture

Cutout ø65mm

Ceiling Thickness 3 - 25mm

Ceiling Void 20mm above module

Weight AL BK WH - 267g | RB PB CH - 296g

Finishes

Bezel Finishes Aluminium | Black | White | Rubbed Bronze | Polished Brass | Chrome | *

Aperture Finishes Black | White | Satin Brass | *

* Please enquire as to the availability of non-standard Finishes

Optical

System Power 8.4W

Module Output 665lm**

Absolute Output 653lm**

LOR 98%

Glare Cut Off 36°

Glare Comfort Cut Off 80°

** Photometry shown is correct for 3000K module. Please enquire for 2700K module output.

Colour Temperature 2700K | 3000K

CRI 92 Typ

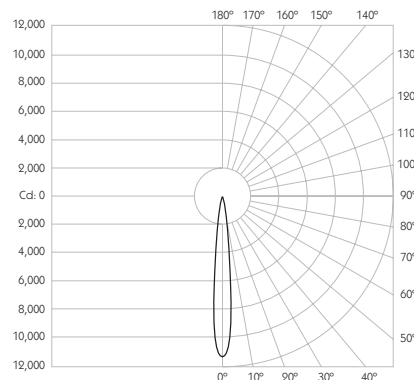
TM-30 Rf: 90 Rg: 99

Beam Angle 11°

Gear Type Dimmable Options Available

Gear Location Remote

Product Photometry independently tested in accordance with LM-79



Distance	Beam Diameter	Illuminance (lx)
1m	0.19m	11,164 lx
2m	0.39m	2,791 lx
3m	0.58m	1,240 lx
4m	0.77m	698 lx
5m	0.96m	447 lx

Luminaire Code

RC-633

Bezel Finish

AL	Brushed Aluminium
WH	White
BK	Black
RB	Rubbed Bronze
PB	Polished Brass
CH	Polished Chrome

Aperture Finish

BK	Black
WH	White
SB	Satin Brass

CCT

27	2700K
30	3000K

CRI

92

92 CRI

Beam Angle

11

11° Narrow Spot

RC-633

PRECISION
LIGHTING

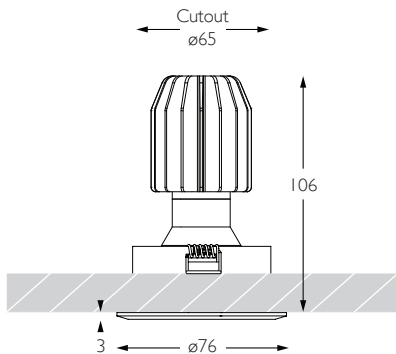
SALES@PRECISIONLIGHTING.CO.UK

WWW.PRECISIONLIGHTING.CO.UK

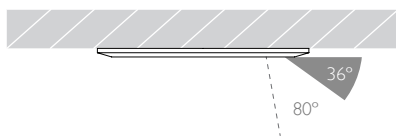
42 RIVERSIDE ROAD
LONDON SW17 0BA

t. +44 (0) 20 8947 6616
f. +44 (0) 20 8286 6626

SPOT | CHAMFERED BEZEL

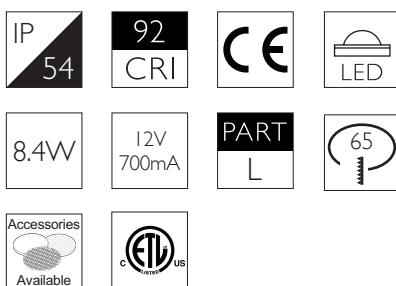


Glare Diagram



Cut Off: 36°

Glare Comfort Cut Off: 80°



Technical Description

Minimo 16 Fixed is an IP54 rated recessed LED luminaire providing high performance accent lighting from a compact source with minimal glare. Minimo 16 is perfect for use in colour-critical applications with 92CRI delivered from a single source LED module and available in two colour temperatures as standard. Tool-less, site changeable beam angles allow flexibility in varying environments. Machined from aerospace grade 6063-T6 aluminium or brass, Minimo 16 Fixed features a chamfered bezel with a choice of six finishes and an interchangeable chamfered aperture available in three finishes for complete aesthetic integration. Minimo 16 Fixed delivers a lumen package of 665lm at 8.4W.

Mechanical

Category Interior use only IP54

Material Machined Aluminium | Brass

Configuration Chamfered Aperture

Cutout ø65mm

Ceiling Thickness 3 - 25mm

Ceiling Void 20mm above module

Weight AL BK WH - 267g | RB PB CH - 296g

Finishes

Bezel Finishes Aluminium | Black | White | Rubbed Bronze | Polished Brass | Chrome | *

Aperture Finishes Black | White | Satin Brass | *

* Please enquire as to the availability of non-standard Finishes

Optical

System Power 8.4W

Module Output 665lm**

Absolute Output 656lm**

LOR 99%

Glare Cut Off 36°

Glare Comfort Cut Off 80°

** Photometry shown is correct for 3000K module. Please enquire for 2700K module output.

Colour Temperature 2700K | 3000K

CRI 92 Typ

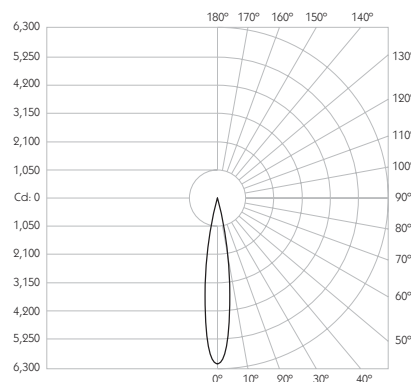
TM-30 Rf: 90 Rg: 99

Beam Angle 15°

Gear Type Dimmable Options Available

Gear Location Remote

Product Photometry independently tested in accordance with LM-79



Distance	Beam Diameter	Illuminance (lx)
1m	0.26m	6,047 lx
2m	0.53m	1,152 lx
3m	0.79m	672 lx
4m	1.05m	378 lx
5m	1.32m	242 lx

Luminaire Code

RC-633

Bezel Finish

AL	Brushed Aluminium
WH	White
BK	Black
RB	Rubbed Bronze
PB	Polished Brass
CH	Polished Chrome

Aperture Finish

BK	Black
WH	White
SB	Satin Brass

CCT

27	2700K
30	3000K

CRI

92

92 CRI

Beam Angle

15

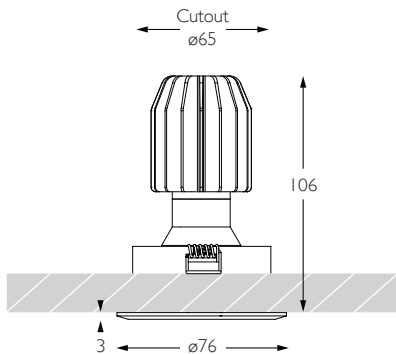
15° Spot

RC-633

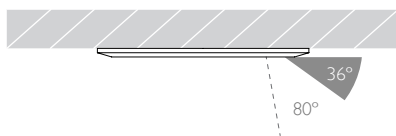
92

15

FLOOD | CHAMFERED BEZEL

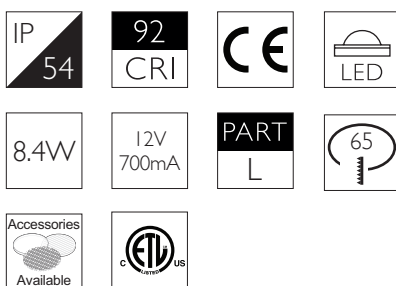


Glare Diagram



Cut Off: 36°

Glare Comfort Cut Off: 80°



Technical Description

Minimo 16 Fixed is an IP54 rated recessed LED luminaire providing high performance accent lighting from a compact source with minimal glare. Minimo 16 is perfect for use in colour-critical applications with 92CRI delivered from a single source LED module and available in two colour temperatures as standard. Tool-less, site changeable beam angles allow flexibility in varying environments. Machined from aerospace grade 6063-T6 aluminium or brass, Minimo 16 Fixed features a chamfered bezel with a choice of six finishes and an interchangeable chamfered aperture available in three finishes for complete aesthetic integration. Minimo 16 Fixed delivers a lumen package of 665lm at 8.4W.

Mechanical

Category Interior use only IP54

Material Machined Aluminium | Brass

Configuration Chamfered Aperture

Cutout ø65mm

Ceiling Thickness 3 - 25mm

Ceiling Void 20mm above module

Weight AL BK WH - 267g | RB PB CH - 296g

Finishes

Bezel Finishes Aluminium | Black | White | Rubbed Bronze | Polished Brass | Chrome | *

Aperture Finishes Black | White | Satin Brass | *

* Please enquire as to the availability of non-standard Finishes

Optical

System Power 8.4W

Module Output 665lm**

Absolute Output 569lm**

LOR 86%

Glare Cut Off 36°

Glare Comfort Cut Off 80°

** Photometry shown is correct for 3000K module. Please enquire for 2700K module output.

Colour Temperature 2700K | 3000K

CRI 92 Typ

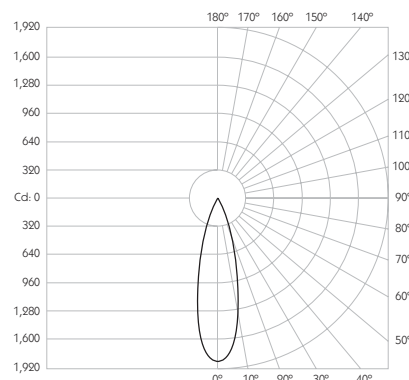
TM-30 Rf: 90 Rg: 99

Beam Angle 25°

Gear Type Dimmable Options Available

Gear Location Remote

Product Photometry independently tested in accordance with LM-79



Distance	Beam Diameter	Illuminance (lx)
1m	0.44m	1,834 lx
2m	0.89m	458 lx
3m	1.33m	204 lx
4m	1.77m	115 lx
5m	2.22m	73 lx

Luminaire Code

RC-633

Bezel Finish

AL	Brushed Aluminium
WH	White
BK	Black
RB	Rubbed Bronze
PB	Polished Brass
CH	Polished Chrome

Aperture Finish

BK	Black
WH	White
SB	Satin Brass

CCT

27	2700K
30	3000K

CRI

92

92 CRI

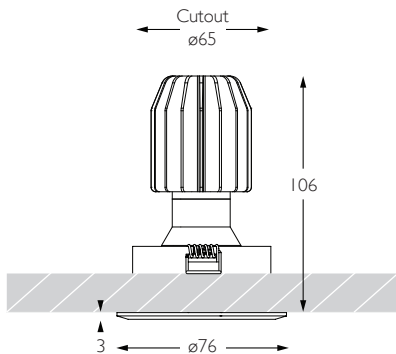
Beam Angle

25

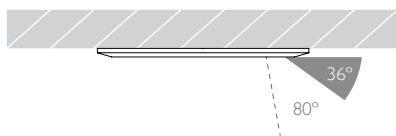
25° Flood

RC-633

WIDE FLOOD | CHAMFERED BEZEL

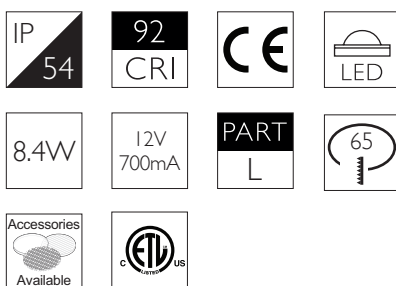


Glare Diagram



Cut Off: 36°

Glare Comfort Cut Off: 80°



Technical Description

Minimo 16 Fixed is an IP54 rated recessed LED luminaire providing high performance accent lighting from a compact source with minimal glare. Minimo 16 is perfect for use in colour-critical applications with 92CRI delivered from a single source LED module and available in two colour temperatures as standard. Tool-less, site changeable beam angles allow flexibility in varying environments. Machined from aerospace grade 6063-T6 aluminium or brass, Minimo 16 Fixed features a chamfered bezel with a choice of six finishes and an interchangeable chamfered aperture available in three finishes for complete aesthetic integration. Minimo 16 Fixed delivers a lumen package of 665lm at 8.4W.

Mechanical

Category Interior use only IP54

Material Machined Aluminium | Brass

Configuration Chamfered Aperture

Cutout \varnothing 65mm

Ceiling Thickness 3 - 25mm

Ceiling Void 20mm above module

Weight AL BK WH - 267g | RB PB CH - 296g

Finishes

Bezel Finishes Aluminium | Black | White | Rubbed Bronze | Polished Brass | Chrome | *

Aperture Finishes Black | White | Satin Brass | *

* Please enquire as to the availability of non-standard Finishes

Optical

System Power 8.4W

Module Output 665lm**

Absolute Output 544lm**

LOR 82%

Glare Cut Off 36°

Glare Comfort Cut Off 80°

** Photometry shown is correct for 3000K module. Please enquire for 2700K module output.

Colour Temperature 2700K | 3000K

CRI 92 Typ

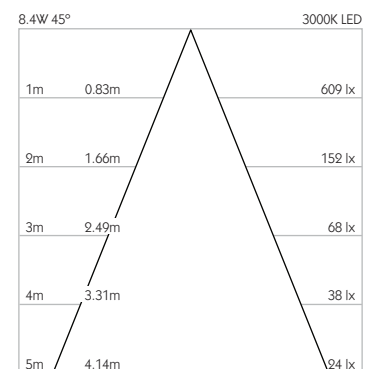
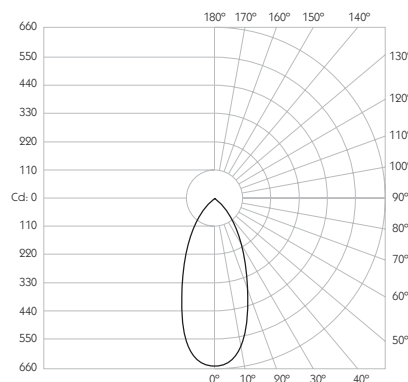
TM-30 Rf: 90 Rg: 99

Beam Angle 45°

Gear Type Dimmable Options Available

Gear Location Remote

Product Photometry independently tested in accordance with LM-79



Luminaire Code

RC-633

Bezel Finish

AL	Brushed Aluminium
WH	White
BK	Black
RB	Rubbed Bronze
PB	Polished Brass
CH	Polished Chrome

Aperture Finish

BK	Black
WH	White
SB	Satin Brass

CCT

27	2700K
30	3000K

CRI

92

92 CRI

Beam Angle

45

45° Wide Flood

RC-633

92

45